

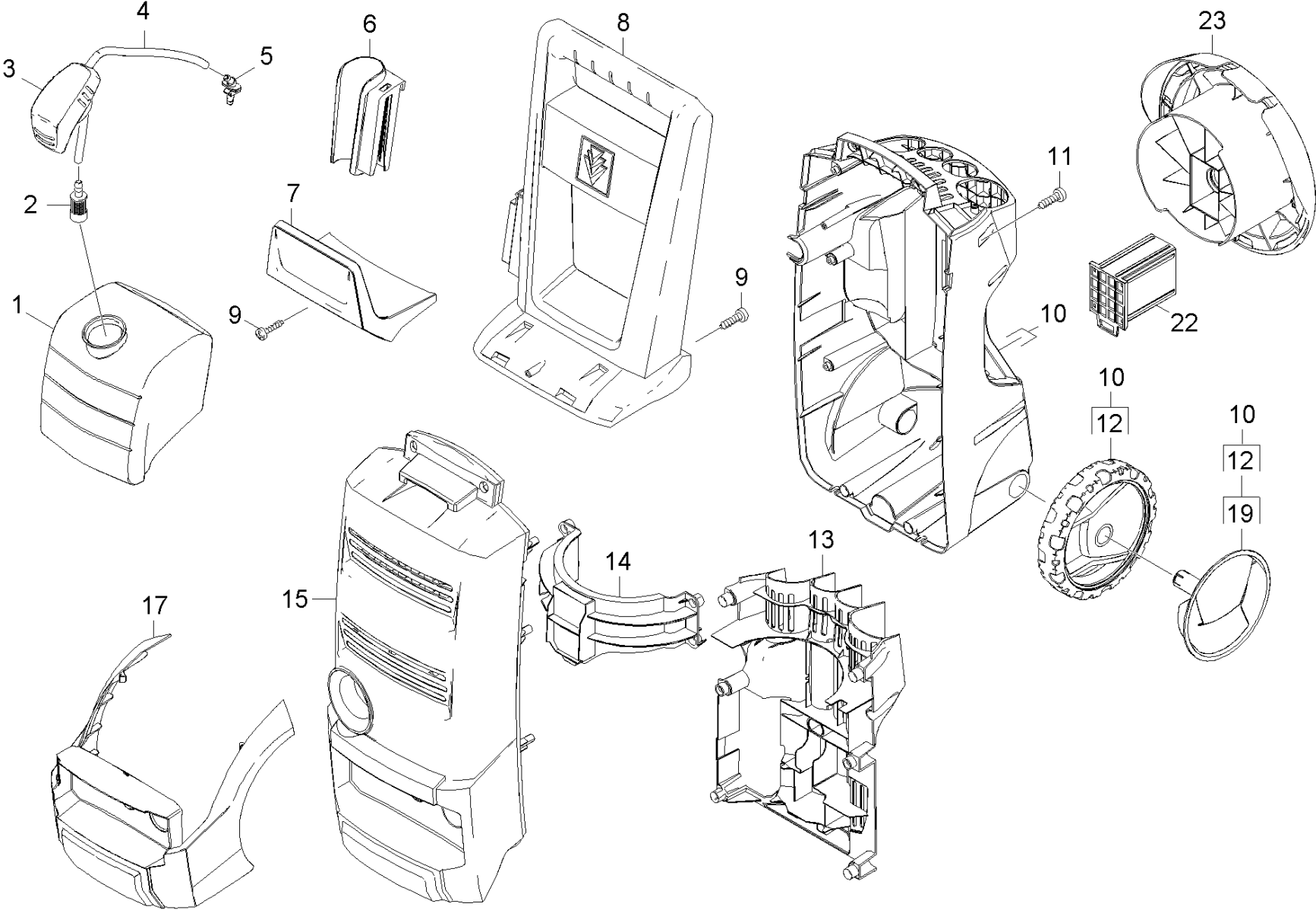
Spare parts list
(5.971-484.0) Spare parts list K5.65 */CA

Table of contents

Spare parts list K5.65 */CA (5.971-484.0)	6
10 Housing (0.113-408.0).....	7
20 Pump set (0.113-409.0).....	9
21 Housing (0.113-410.0).....	10
22 Thrust guidance (0.113-411.0).....	12
30 Motor (0.113-412.0)	14
40 Accessories (0.113-413.0).....	16
41 Hand trigger gun (0.113-414.0).....	17
3 Spare part set O-Ring seal 5x (2.880-296.0)	19
42 Jet pipe (0.113-415.0)	20
50 Electric box (0.113-416.0).....	22

Spare parts list K5.65 */CA (5.971-484.0)

Pos	Material #	Name
10	0.113-408.0	Housing
20	0.113-409.0	Pump set
30	0.113-412.0	Motor
40	0.113-413.0	Accessories
50	0.113-416.0	Electric box

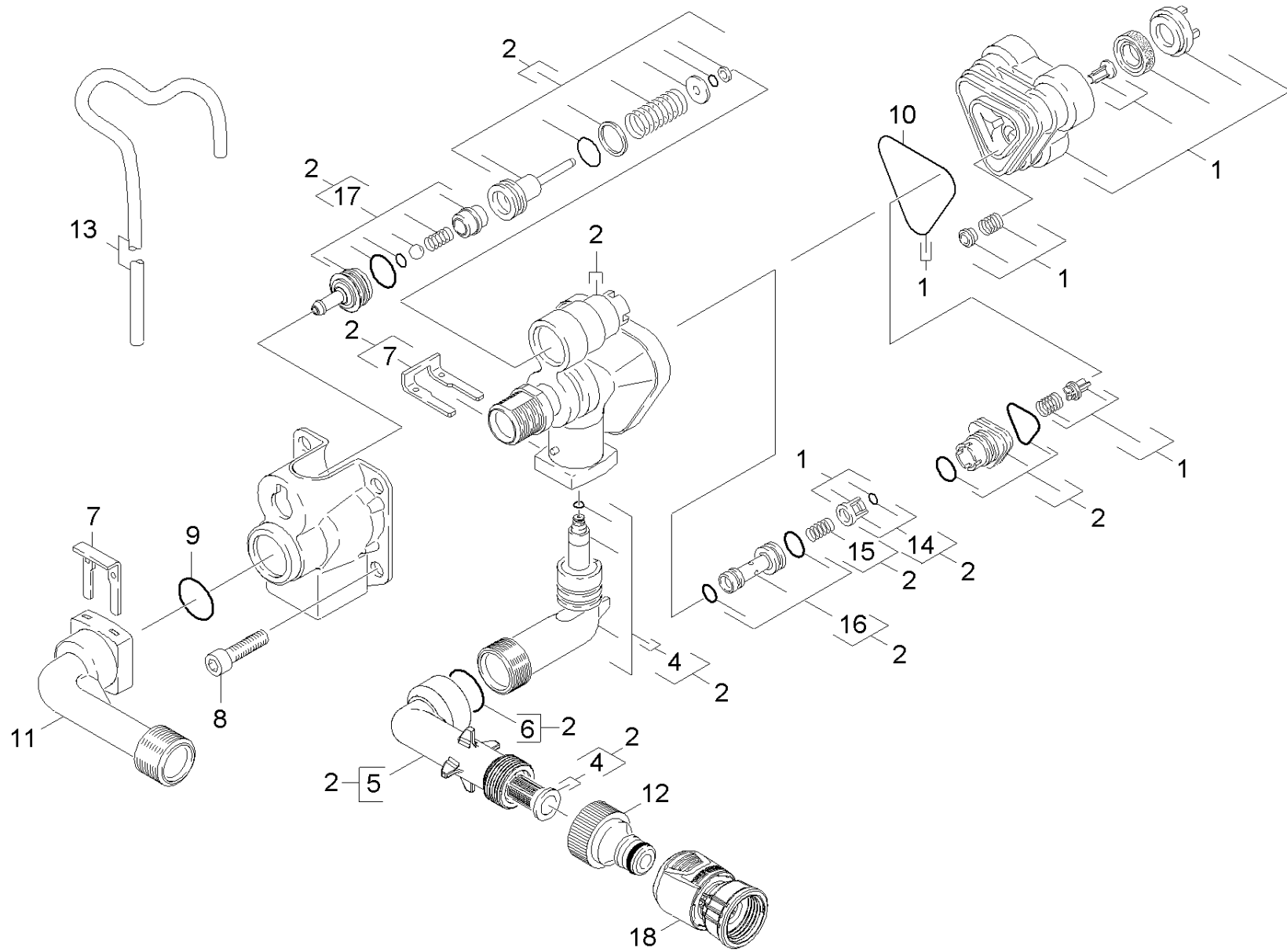


10 Housing (0.113-408.0)

ET/VT (spare/wear parts)	Pos	Material #	Name	Qty.	Unit	Footnote text
	1	9.760-574.0	Tank cleaning agents large K3.68	1.000	ST	
X	2	5.731-652.0	Filter with weight	1.000	ST	
	3	9.048-080.0	Cap of a tank	1.000	ST	
	4	6.388-216.0	Hose DN 5	1.000	M	TO ORDER AS CUT GOODS
	5	9.037-314.0	Nipple	1.000	ST	
	6	5.321-904.0	Holder pistol	1.000	ST	
	7	9.037-293.0	Holder hose KX.68MD	1.000	ST	
	8	9.037-312.0	Hand grip K3.68	1.000	ST	
X-X	9	9.086-203.0	Screw 4x22	5.000	ST	
	10	9.755-138.0	Chassis rear complete K3.68	1.000	ST	
X	11	9.086-173.0	Screw Hi-Lo d.4x22 Torx-d.7,5	10.000	ST	
	12	9.755-146.0	Wheel set with orifice replacement K3 fa	1.000	ST	SET OF 2 PIECES
Position text: 1.601-742.0						
	13	9.760-386.0	Bracket motor	1.000	ST	
	14	9.760-387.0	Flange motor bracket	1.000	ST	
	15	9.755-170.0	Cover front K3.68 spare parts	1.000	ST	
	17	9.760-522.0	Bumper	1.000	ST	
X	19	9.755-147.0	Screen wheel kit D200 silver	1.000	ST	SET OF 2 PIECES
	22	9.755-239.0	Bracket hose reel spare part	1.000	ST	
	23	9.755-241.0	Hose reel spare part	1.000	ST	

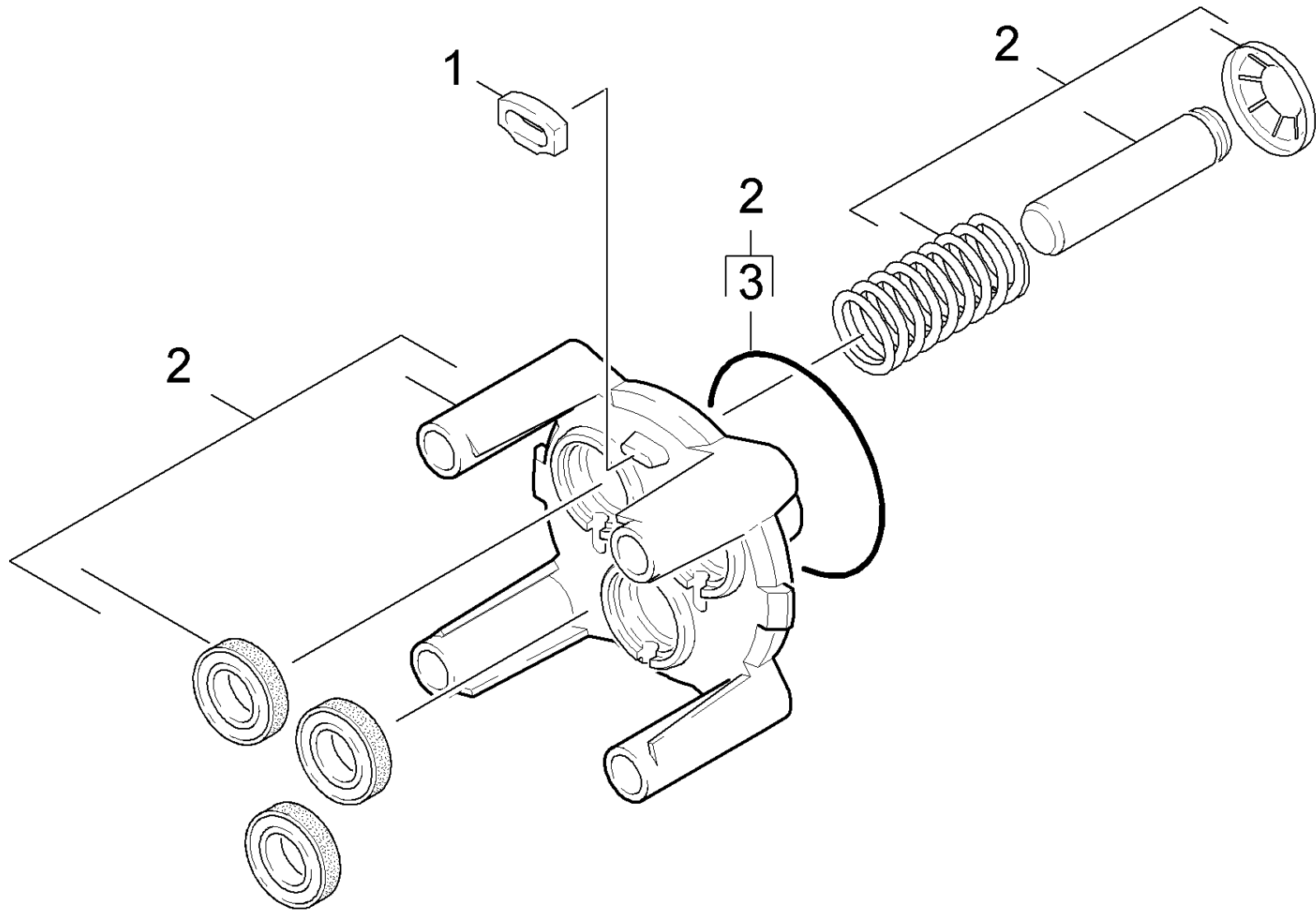
20 Pump set (0.113-409.0)

Pos	Material #	Name	Qty.	Unit
21	0.113-410.0	Housing	1.000	ST
22	0.113-411.0	Thrust guidance	1.000	ST



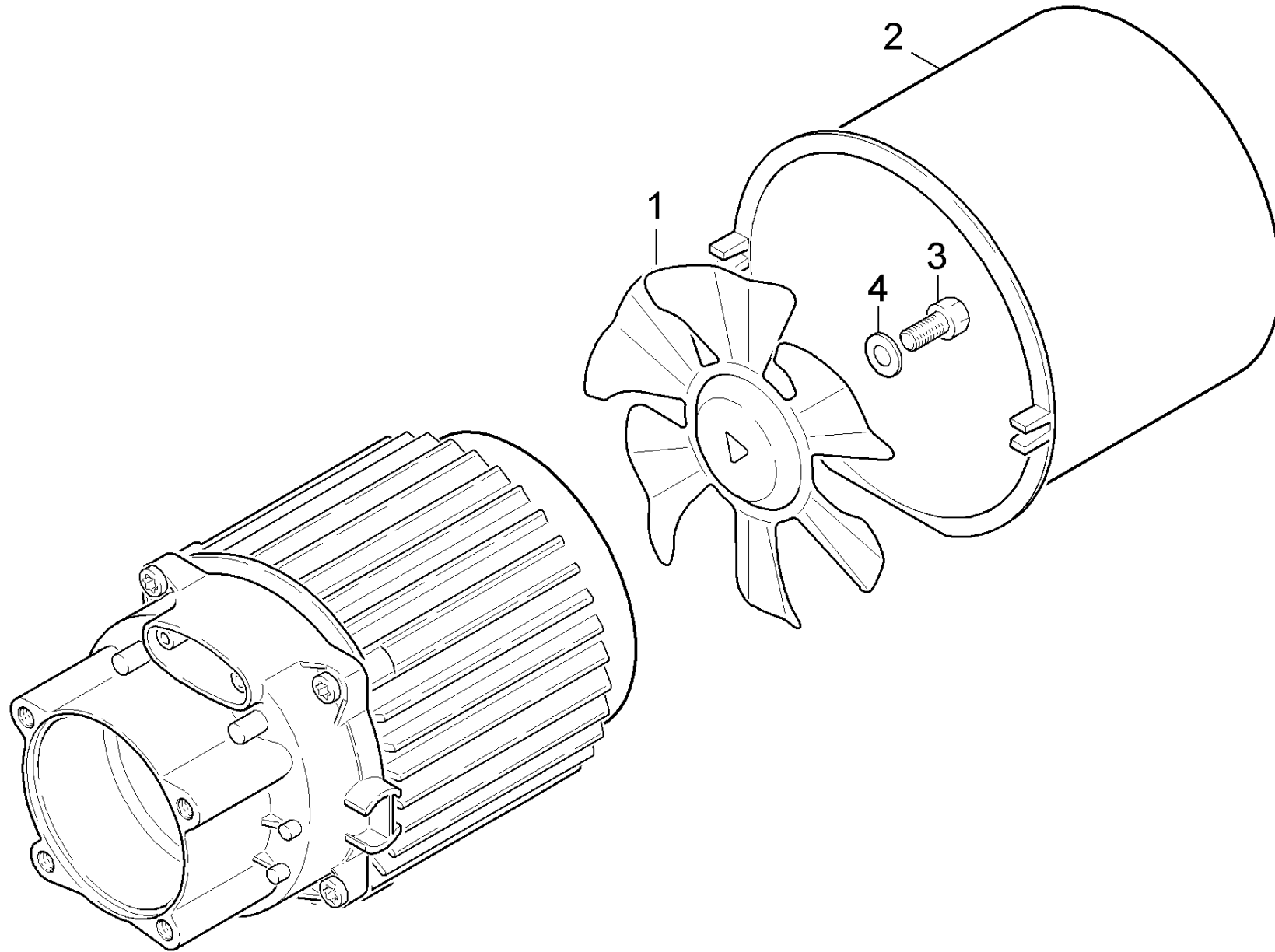
21 Housing (0.113-410.0)

ET/VT (spare/wear parts)	Pos	Material #	Name	Qty.	Unit	Footnote text
	1	9.755-020.0	H.P. head complete Spare Part	1.000	ST	
	2	9.755-012.0	Housing complete replacement 2000 PSI	1.000	ST	
X-X	4	9.001-375.0	Spare parts set suction connection	1.000	ST	
X	5	9.755-199.0	Suction connection complete replacement	1.000	ST	
	6	9.081-420.0	O-Ring d.17,86x2,62	1.000	ST	
	7	9.039-148.0	Metal fork	2.000	ST	
	8	9.086-200.0	Screw M 8x55 Class 8.8	4.000	ST	
X-X	9	6.362-151.0	O-Ring d. 10 x 2 NBR 70	1.000	ST	
X-X	10	9.081-422.0	Form seal	1.000	ST	
X-X	11	9.036-703.0	Connection delivery side	1.000	ST	
X-X	12	6.465-031.0	Connection 3/4	1.000	ST	
	13	6.388-216.0	Hose DN 5	1.000	M	TO ORDER AS CUT GOODS
	14	9.001-107.0	Cage complete	1.000	ST	
X	15	9.047-026.0	Spring	1.000	ST	
	16	9.001-108.0	Injector complete	1.000	ST	
	17	9.750-058.0	Detergent fitting assembly (CEN)	1.000	ST	
X	18	4.645-365.0	Coupler with label complete	1.000	ST	



22 Thrust guidance (0.113-411.0)

Pos	Material #	Name	Qty.	Unit
1	9.048-071.0	Spacer - Seal	1.000	ST
2	9.012-496.0	Thrust guidance complete PA (EX-141)	1.000	ST
3	6.362-826.0	O-Ring seal 61,6x2,62	1.000	ST

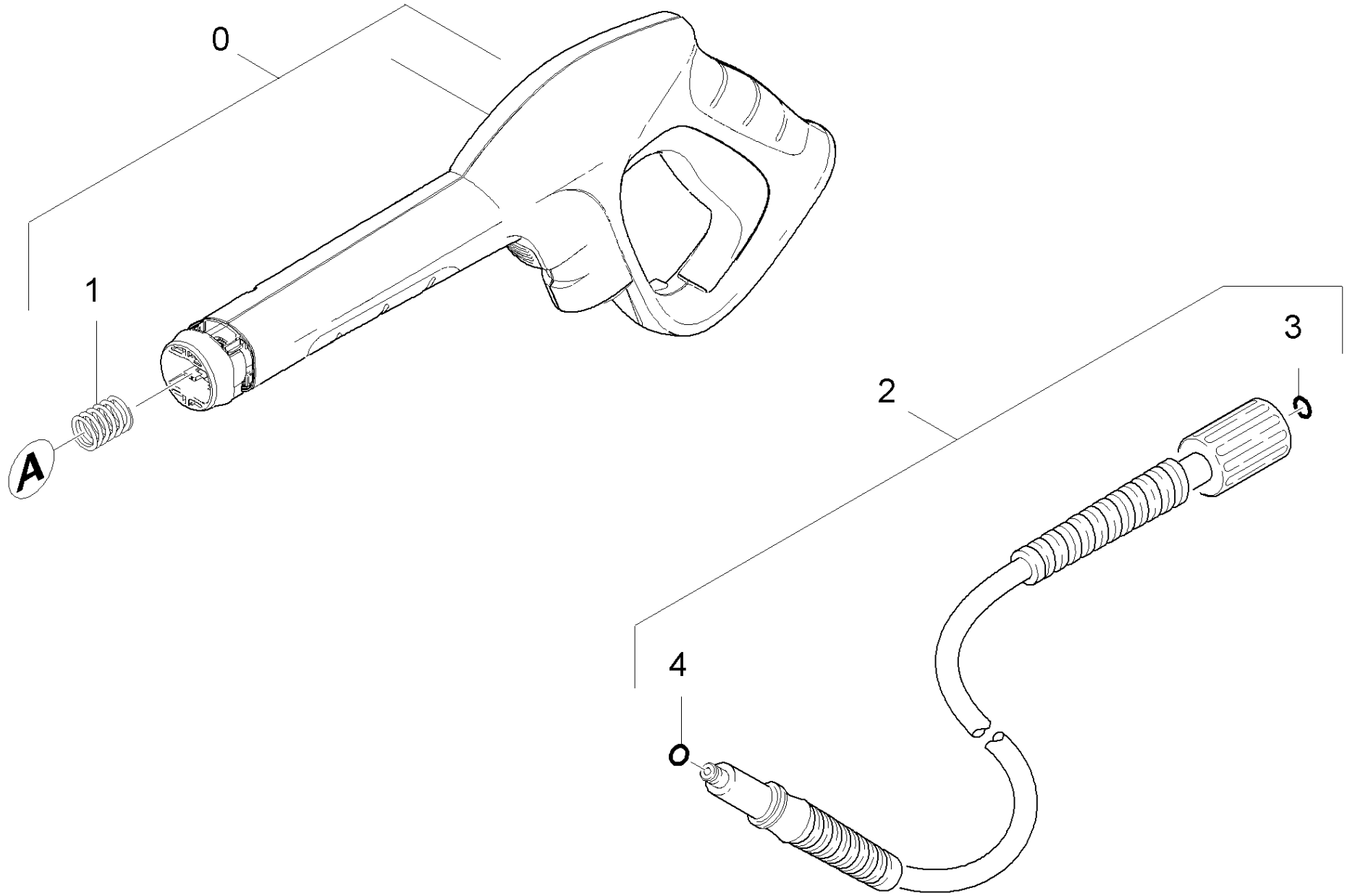


30 Motor (0.113-412.0)

Pos	Material #	Name	Qty.	Unit
1	9.039-188.0	Blower wheel	1.000	ST
2	9.755-166.0	Covering cap blower wheel grey	1.000	ST
3	7.304-395.0	Hexagonal head screw M8x16-8.8-A2E ISO	1.000	ST
4	7.312-233.0	Serrated lock washer A8,4-FSt-A3E DIN67	1.000	ST

40 Accessories (0.113-413.0)

Pos	Material #	Name	Qty.	Unit
41	0.113-414.0	Hand trigger gun	1.000	ST
42	0.113-415.0	Jet pipe	1.000	ST

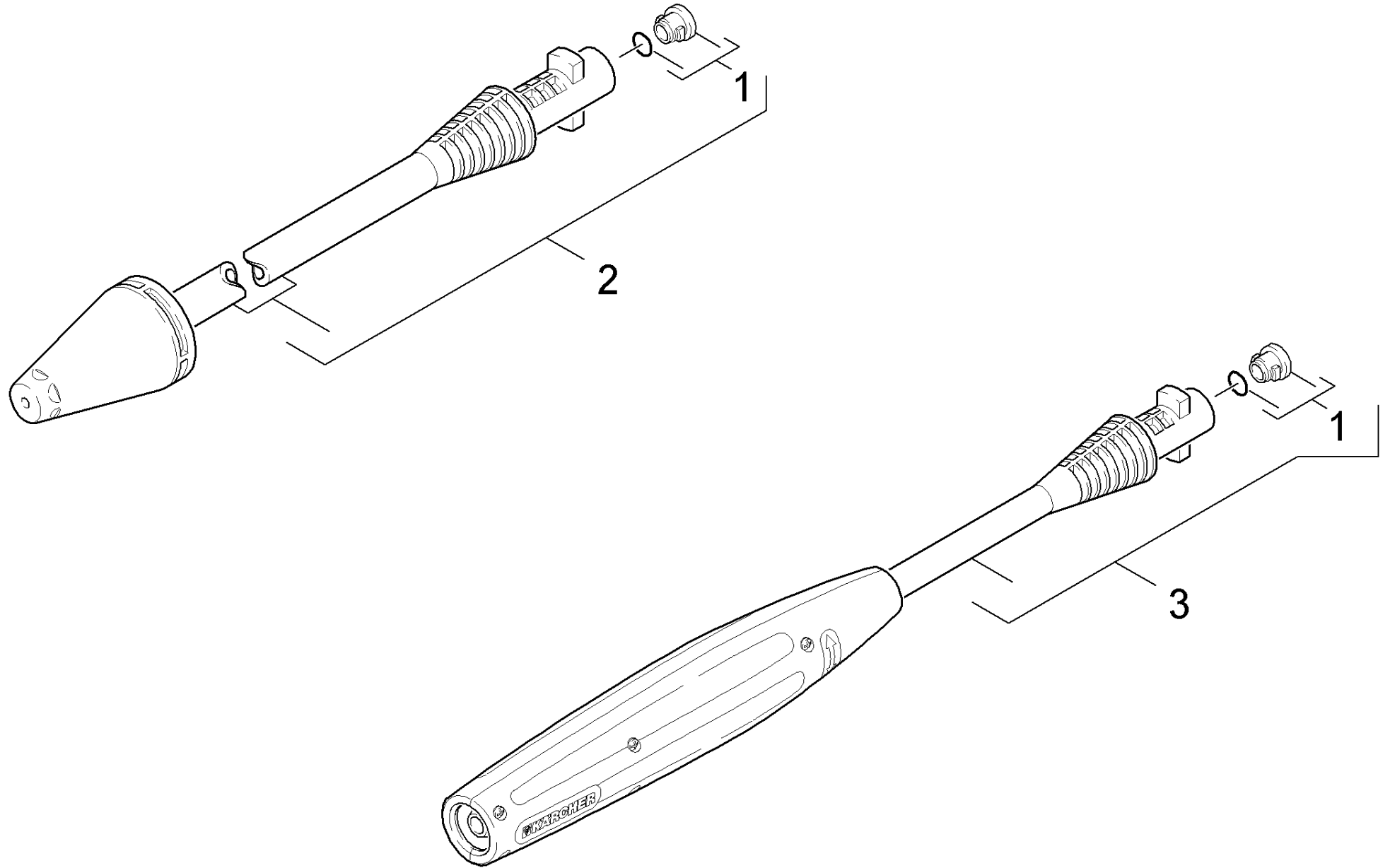


41 Hand trigger gun (0.113-414.0)

ET/VT (spare/wear parts)	Pos	Material #	Name	Qty.	Unit
X-X	0	2.642-172.0	Pistol best 2K verpackt	1.000	ST
	1	5.332-464.0	Pressure spring	1.000	ST
X-X	2	2.641-706.0	High pressure hose 16MPa/9m 60°C, verp.	1.000	ST
X-X	3	2.880-296.0	Spare part set O-Ring seal 5x	1.000	ST
X-X	4	6.363-410.0	O-Ring seal 5,7x1,78 NBR 90Shore	1.000	ST

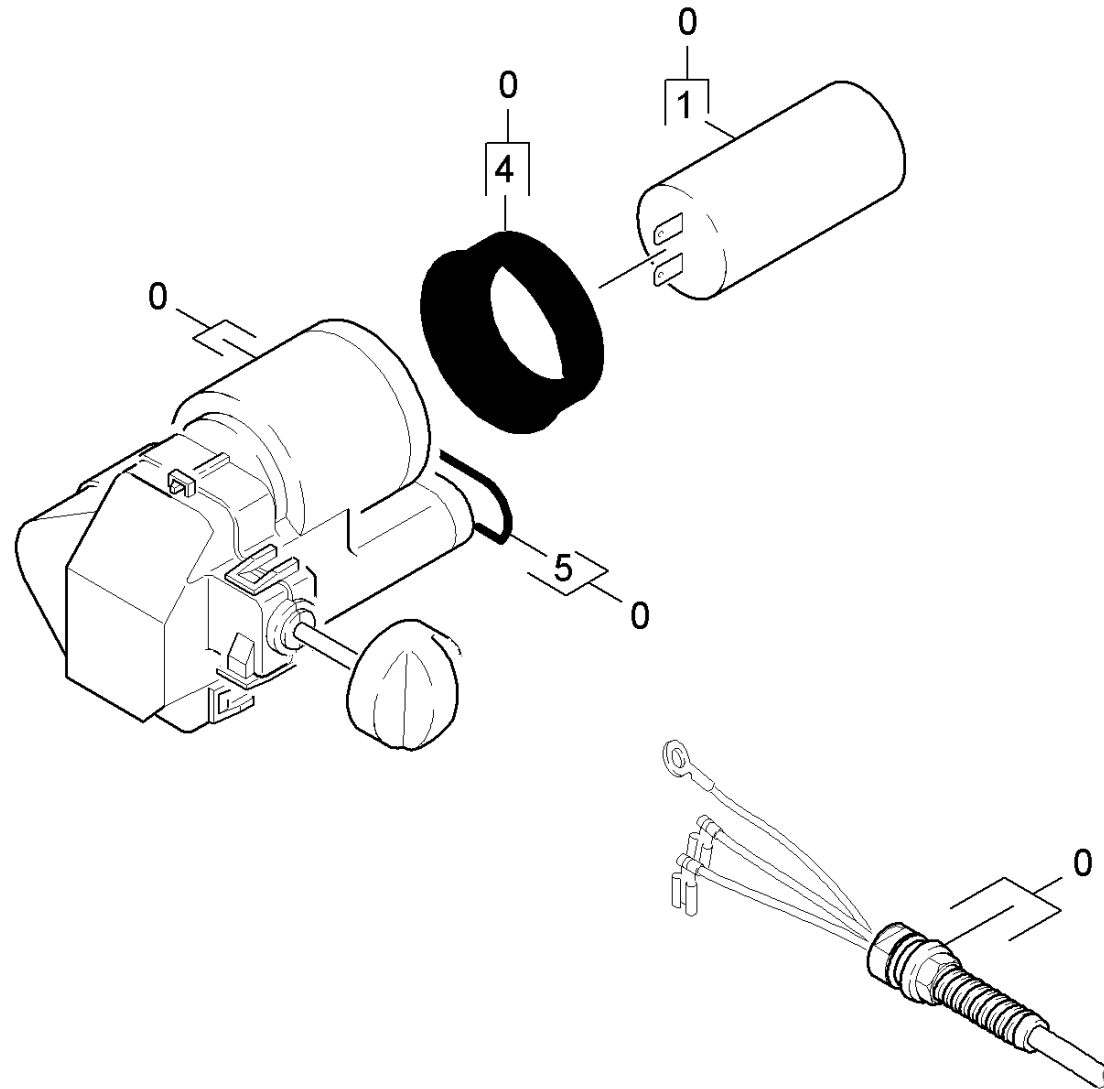
3 Spare part set O-Ring seal 5x (2.880-296.0)

Pos	Material #	Name	Qty.	Unit
10	6.362-957.0	O-Ring seal 10,0 X 2,0-EPDM 85-90	5.000	ST



42 Jet pipe (0.113-415.0)

ET/VT (spare/wear parts)	Pos	Material #	Name	Qty.	Unit
X-X	1	2.640-729.0	O-Ring seal set	1.000	ST
	2	4.764-243.0	Dirt blaster K2 027 St	1.000	ST
X	3	4.760-623.0	VPS K3 021K	1.000	ST



50 Electric box (0.113-416.0)

Pos	Material #	Name	Qty.	Unit
0	9.755-115.0	Electric box complete replacement K3.68	1.000	ST
1	6.661-196.0	Capacitor 60 μ F	1.000	ST
4	9.760-118.0	Seal	1.000	ST
5	9.081-417.0	O-Ring d.20 x 2	1.000	ST