



# 8-inch Cordless Trimmer

Model No. 51467—Serial No. 27000001 and Up

Operator's Manual



**If you have questions or problems, call toll free 1-866-336-5208 (US) or 1-800-544-5364 (Canada) before returning this product.**

## IMPORTANT SAFETY INSTRUCTIONS

When using an electrical appliance, basic precautions should always be followed, including the following:

### READ ALL INSTRUCTIONS BEFORE USING THIS APPLIANCE

**WARNING**—To reduce the risk of fire, electric shock, or injury, follow these safety instructions.

It is essential that you or any other operator of the appliance read and understand the contents of this manual before operating the appliance. Pay particular attention to the safety alert symbol ▲ which means CAUTION, WARNING or DANGER—personal safety instruction. Read and understand the instruction because it has to do with safety. **Failure to comply with these instructions may result in personal injury, risk of fire, or electrical shock.**

**Avoid dangerous environments**—Do not use or charge the trimmer in damp or wet locations.

Do not use or charge the trimmer in the rain.

**Keep children and bystanders away**—All visitors should be kept at a distance from the work area.

**Dress properly**—Do not wear loose clothing or jewelry; they can be caught in moving parts. Use of rubber gloves and substantial footwear is recommended when working outdoors. Wear protective hair covering to contain long hair.

**Use safety glasses**—Safety glasses are available at most retail stores. Use a face or dust mask if operation is dusty.

**Use the right appliance**—Do not use the trimmer for any job except that for which it was intended. **Do not use it as an edger.**

**Avoid unintentional starting**—Do not carry the trimmer with your finger on the switch.

Keep grass shield in place and in working order.

Keep hands and feet away from the cutting area. Do not grasp the exposed blade under the grass shield.

Stop the motor whenever you leave the trimmer, before cleaning the housing, and when making any repairs or inspections.

**Do not force the trimmer**—It will do the job better and with less likelihood of a risk of injury at the rate for which it was designed.

**Do not overreach**—Keep proper footing and balance at all times.

**Stay alert**—Watch what you are doing. Use common sense. Do not operate the trimmer when you are tired.

**Store the trimmer indoors**—When not in use, store the trimmer indoors in a dry, high or locked up place, out of reach of children.

**Maintain the trimmer**—Follow instructions for changing accessories. Inspect the trimmer periodically, and if damaged, have it repaired by an Authorized Toro Service Dealer. Keep the handles dry, clean, and free from oil and grease. The trimmer requires no lubrication.

**Check damaged parts**—If any parts of the trimmer are damaged, stop the trimmer and have it repaired before operating the trimmer again. A damaged trimmer should only be repaired by an Authorized Toro Service Dealer. When servicing, use only identical **Toro** replacement parts.

To reduce the risk of electrical shock, replace the charger immediately if the charger case or cord is damaged.

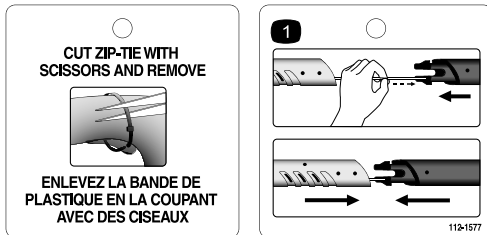
## SAVE THESE INSTRUCTIONS

# Safety and Instructional Decals

**Important:** Safety and instruction decals are located near areas of potential danger. Replace damaged or lost decals.



**112-1565**



**112-1577**

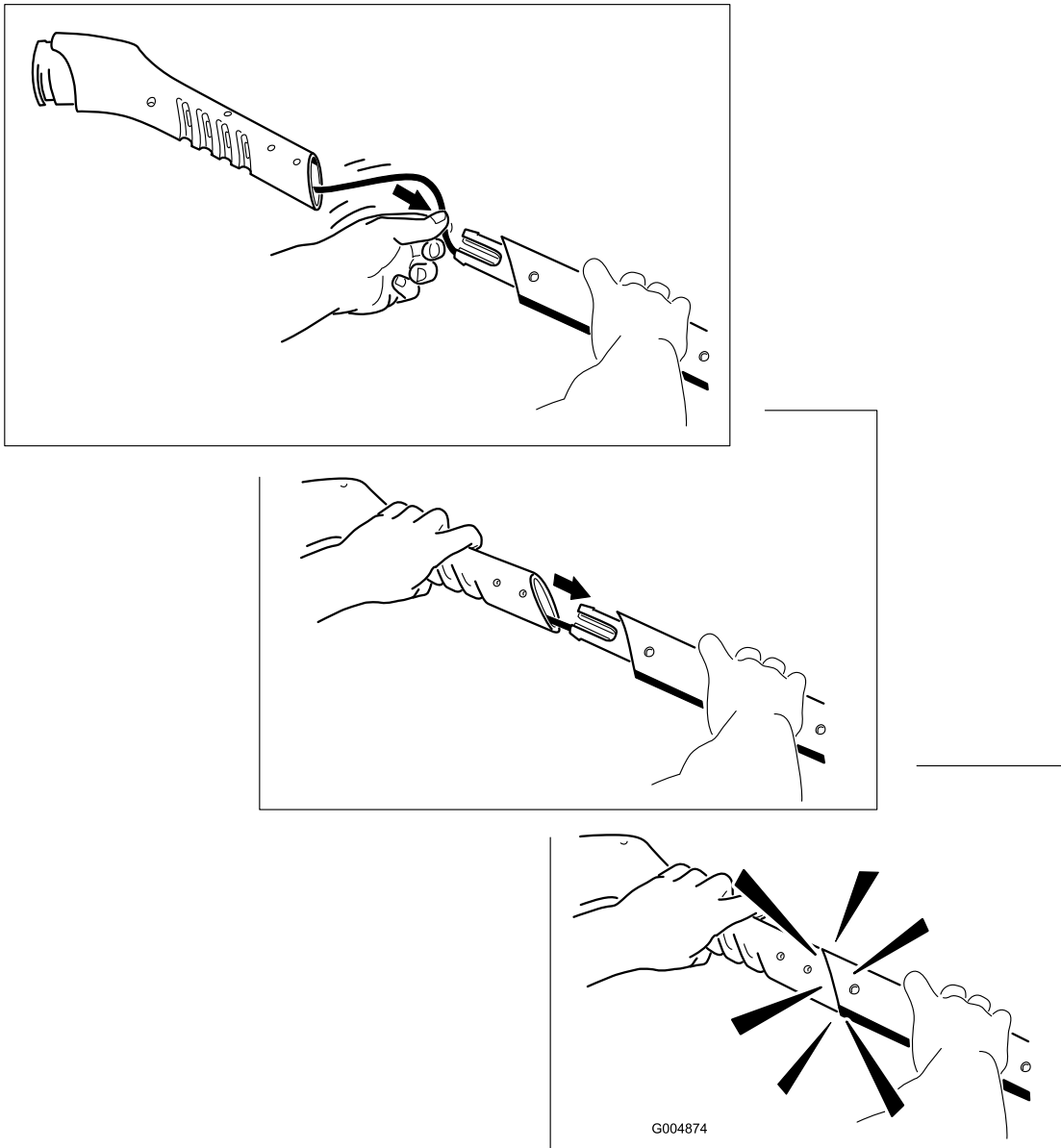
Hang tag

1. Feed the cord into the center section before assembling the handle.

# Setup

## 1. Assembling the Trimmer

Feed as much wire into the center section as possible and snap the sections together (Figure 1).



**Figure 1**

## 2. Installing the Guard

Snap the guard into place (Figure 2).

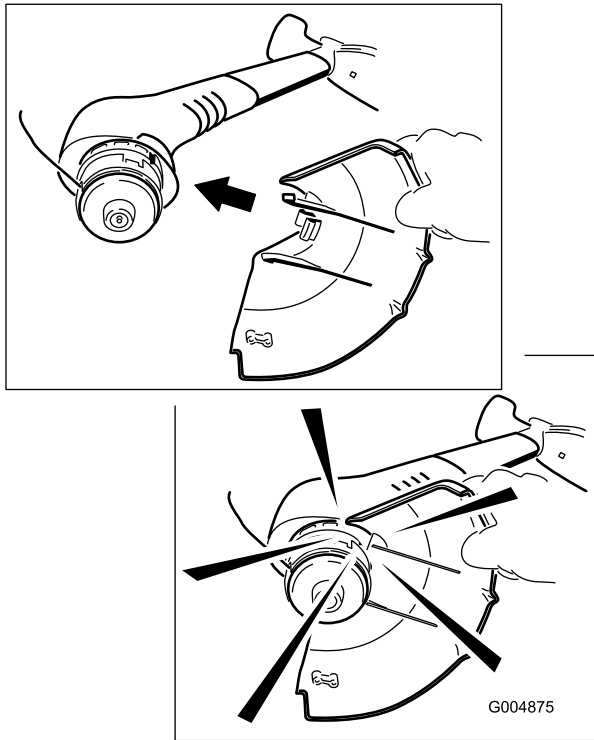


Figure 2

# Operation

## Charging the Battery

Charge the battery for 24 hours or until the charge light on the charger is green before the first use and after each use thereafter.

**Important:** Always charge the battery after each use. Storing the unit with a discharged battery will reduce the life of your battery. This lead-acid battery has no memory and does not need to be fully discharged before charging.

1. Insert the charge plug into the trimmer receptacle (Figure 3).

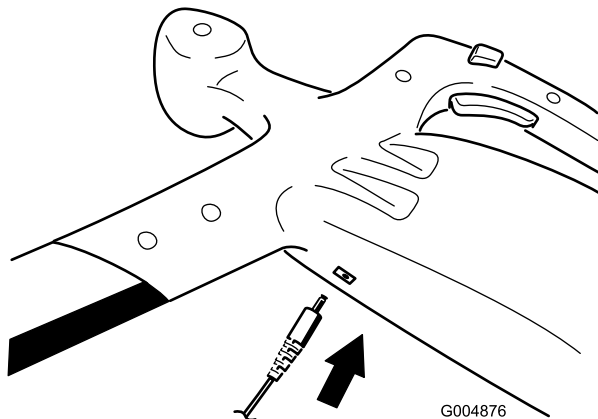


Figure 3

**Important:** Use only the charger supplied with the trimmer or a Toro charger obtained from an Authorized Toro Service Dealer.

2. Plug the charger into a power outlet.

**Note:** The charge light is red while the battery is charging; it turns green when the battery is fully charged or when the trimmer is not connected.

3. Charge the battery for 24 hours or until the charge light turns green.
4. Disconnect the charger from the power outlet and the trimmer.

**Note:** The charge light is always on when the trimmer is connected to the charger and to the power outlet; it stays on even after the battery is fully charged.

## Starting the Trimmer

Push in the side button and then pull the trigger (Figure 4).

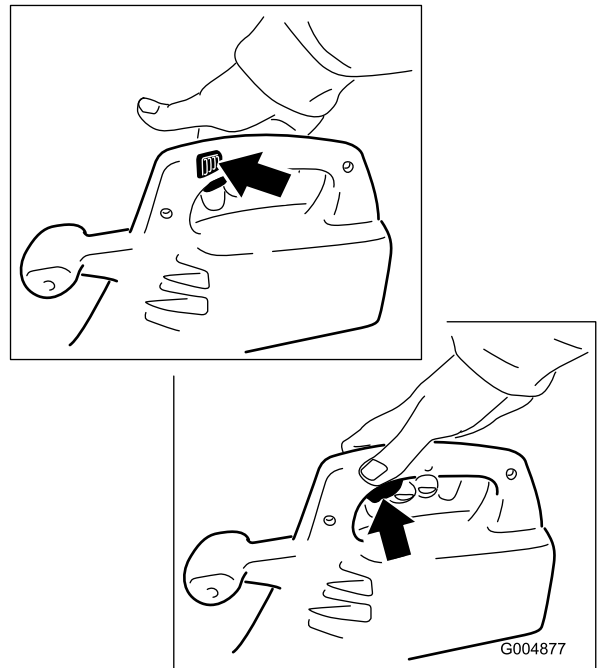


Figure 4

## Stopping the Trimmer

Release the trigger.

## Operating Tips



When the trimmer is running, the cutting head is spinning. If you contact the cutting line or cutting head, you could be injured.

- Keep the cutting head away from your feet and bystanders.
- Ensure that the cutting head has stopped and the trimmer is unplugged before inverting it. Do not start the trimmer when it is inverted.

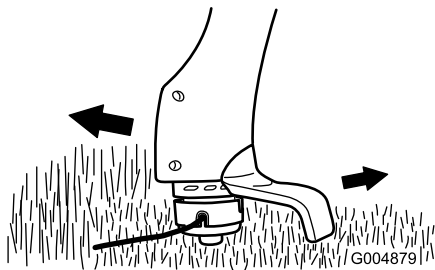


During operation, the trimmer may throw objects in the operator's or a bystander's direction, causing injury.

- Wear safety goggles or other suitable eye protection, long pants, and shoes while operating the trimmer.
- Do not use the trimmer as an edger.
- Keep people and pets away from the trimming area.

To reduce line wear and improve trimming performance, use the following techniques when trimming:

- Inspect the area to be trimmed for any wire, rope, or string-like matter which could become entangled in the rotating line. Remove any objects or debris that could be thrown by the trimmer.
- Trim only when the grass and weeds are dry.
- Slowly move the trimmer in and out of the area being cut (Figure 5).



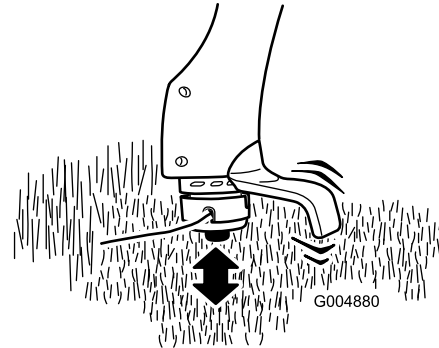
**Figure 5**

- Cut grass or weeds over 8 inches tall from the top to the bottom in small increments.
- **Do not force the trimmer.** Allow the very tip of the nylon line to do the cutting, especially along walls.
- **Do not drag the trimmer spool on the ground while trimming.**
- After each use, feed out some line to prevent it from retracting into the cutting head.
- The trimmer cannot be overcharged. Keep it on the charger when you are not using it during the trimming season.
- Store the trimmer in a cool, dry location away from direct sunlight and heat sources.

## Lengthening the Line

The tip of the cutting line will wear during use and reduce the cutting swath.

To increase the length of the line, tap the spool on the ground while the trimmer is running (Figure 6).



**Figure 6**

**Note:** The blade under the guard will automatically cut the line to the correct length.

**Important:** Take the following precautions to ensure optimal line performance:

- **Do not hold the spool on the ground.**
- Tap the spool only once to lengthen the line. If you need additional line, wait a few seconds before tapping the spool.
- Do not allow the line to wear too short.
- Keep the line length at full cutting diameter as much as possible.
- If the line is not advanced occasionally, it will wear down to the eyelet. When the trimmer stops, the line tends to relax and may retract into the cutter head. Should this occur, remove the spool, re-feed the line through the eyelet, and assemble the spool to the trimmer.

## Replacing the Line

For replacement line, you can purchase either a new, pre-wound spool of line (model no. 88185 or 88045) or bulk line (0.065 inch dia. x 10 ft.) that you can wind onto the old spool. Both are available from an Authorized Toro Service Dealer.



**If you use line other than Toro .065 inch dia. nylon monofilament, it could cut through clothes and skin causing injury and/or overload the motor, possibly causing a fire or electrical shock. Do not use metal wire, rope, plastic knives, or any cutting line or material other than Toro .065 inch dia. nylon monofilament, 10 foot maximum line length.**

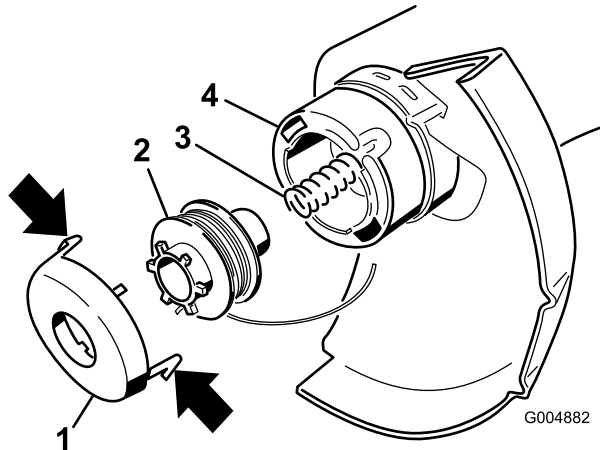
The spool may wear during normal use and require occasional replacement.

**Note:** If the line should tangle or break at the eyelet, stop the trimmer, remove the spool as described below, feed the line through the eyelet, and reassemble the spool to the cutting head.



If you do not fully install the spool and cap, the trimmer could throw them during operation, causing injury to the operator or bystanders. Ensure that you fully install the spool and cap, with the two locking tabs on the cap secured in the spool housing.

1. Press in the tabs on each side of the cap (Figure 7).



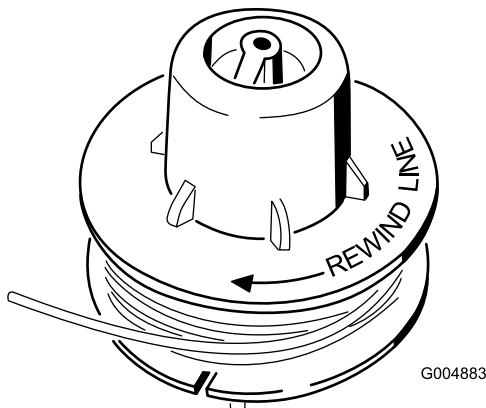
**Figure 7**

1. Cap
2. Spool
3. Spring
4. Trimmer head

**Note:** You may need a screwdriver to press in the tabs on the cap of a new trimmer.

**Note:** If the spring falls off the trimmer head, install the spring before installing the spool and cap.

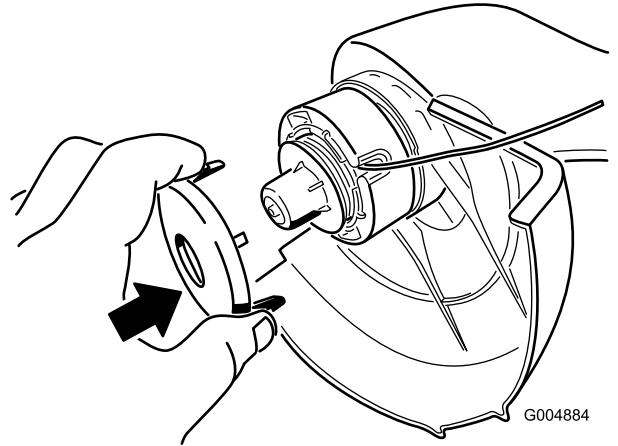
2. If there is any cutting line left (there should be a short piece), remove and discard it.
3. Thoroughly clean the trimmer head. Inspect for any damaged or worn parts.
4. If you are winding a new line onto the old spool, complete the following steps:
  - A. Hook one end of line into the slot on the spool, **allowing no more than 1/8 inch to protrude**, and push the end of the line **all the way** to the inner end of the slot.
  - B. Wind the line in the direction of the arrow on the spool, in level rows, between the spool flanges (Figure 8).



**Figure 8**

The trimmer will not function properly if the line is wound in the wrong direction, the end of the line protrudes more than 1/8 inch, or the line is wound beyond the outer edges of the spool.

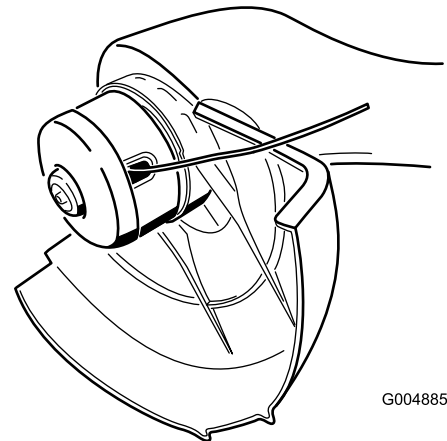
5. Unwind no more than 3 inches of line from spool (either new or re-wound) and hold the line and spool to prevent the line from unraveling.
6. While holding the line and spool, place the cap on the spool.
7. Insert the line into the eyelet, aligning the cap tabs with the slots in the cutter head.
8. Press in the tabs and push down the cap and spool to lock the cap in place (Figure 9).



**Figure 9**

**Note:** You may need to rotate the spool to fully install it.

The fully installed cutting head should appear as shown in Figure 10.

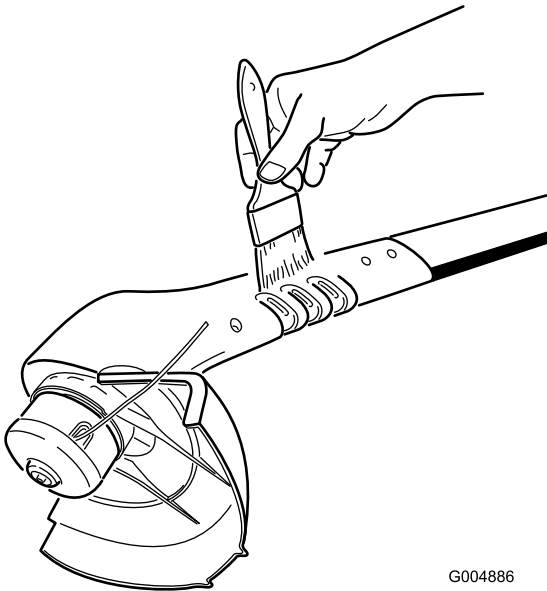


**Figure 10**

# Maintenance

After each use of the trimmer, do the following:

- Wipe the trimmer clean with a damp cloth. **Do not hose the trimmer down or submerge it in water.**
- Wipe or scrape clean any accumulation of dirt or cuttings from the trimmer head and spool.
- Check and tighten all fasteners. If any part is damaged or lost, repair or replace it.
- Remove any debris away from air intake vents (Figure 11).



**Figure 11**

**Important:** Keep the air intake vents free of grass and debris to prevent the motor from overheating.

## Disposing of the Battery

When the battery no longer holds a charge, you can purchase a new battery and have it installed by an Authorized Toro Service Dealer. If you want to discard the trimmer, remove and recycle the battery before discarding the trimmer.



**Battery posts, terminals, and related accessories contain lead and lead compounds, chemicals known to the State of California to cause cancer and reproductive harm. Wash hands after handling.**

1. Remove the 2 bolts and nuts that secure the handle section to the center section.
2. Remove the 6 screws that secure the two halves of the handle section together and pull the halves apart.
3. Remove the battery and disconnect it from the wire leads.
4. Discard the trimmer.
5. Recycle the lead-acid battery according to local codes.

## Storage

For idle periods of more than a month, disconnect the charger from the power outlet and trimmer after the trimmer is fully charged. Do not store the trimmer with the charger plugged in. Storing the trimmer in a warm area will decrease the battery life. If you must store the trimmer in a warm area, charge the battery for 24 hours every 2 to 3 months during storage.

## Service

Toro has designed this product to give you years of trouble-free use. Should it need service, take the product to an Authorized Toro Service Dealer. The Toro Dealer is specially trained to fix Toro products and will ensure that your Toro product stays all Toro.

## The Toro Promise – Electric Trimmers

A Two-Year Full Warranty for Residential Use for the United States, Canada, and Mexico

The Toro Company and its affiliate, Toro Warranty Company, pursuant to an agreement between them, jointly warrant this product for two years against defects in material or workmanship when used for normal residential purposes.

- If you have questions or problems, or before returning this product, call toll free: 1-800-237-2654 (US), 1-800-248-3258 (Canada), or 1-800-808-3176 (Mexico).
- To receive a replacement or repair, at our option, return the complete unit, postage prepaid, to the seller. **Only** United States customers may return their product, with proof of purchase, to any Authorized Service Dealer, Master Service Dealer, or the Toro Service Center, 21350 Cedar Avenue S., Lakeville, MN 55044-9090.

This warranty covers product defects only. **Neither The Toro Company nor Toro Warranty Company is liable for indirect, incidental or consequential damages in connection with the use of the Toro Products covered by this warranty, including any cost or expense of providing substitute equipment or service during reasonable periods of malfunction or non-use pending completion of repairs under this warranty. Some states do not allow exclusions of incidental or consequential damages, so the above exclusions may not apply to you.** This warranty gives you specific legal rights, and you may also have other rights which vary from state to state.

### Countries Other than the United States, Canada, or Mexico

Customers who have purchased Toro products exported from the United States, Canada, or Mexico should contact their Toro Distributor (Dealer) to obtain guarantee policies for your country, province, or state. If for any reason you are dissatisfied with your Distributor's service or have difficulty obtaining guarantee information, contact the Toro importer. If all other remedies fail, you may contact us at Toro Warranty Company.

Part No. 374-0055 Rev. B





# Débroussailleuse à batterie de 8 pouces

N° de modèle 51467—N° de série 27000001 et suivants

Manuel de l'utilisateur



**Pour tout conseil ou renseignement, appelez notre numéro vert 1-866-336-5208 (États-Unis) ou 1-544-5364 (Canada) avant de renvoyer ce produit.**

## CONSIGNES DE SÉCURITÉ IMPORTANTES

L'utilisation d'un appareil électrique exige de prendre certaines précautions élémentaires, notamment :

### LISEZ TOUTES LES INSTRUCTIONS AVANT D'UTILISER CET APPAREIL

**ATTENTION**—Respectez ces consignes de sécurité pour réduire le risque d'incendie, d'électrocution ou de blessures.

Tout utilisateur de l'appareil doit impérativement lire et comprendre le contenu de ce manuel avant d'utiliser l'appareil. Faites particulièrement attention aux symboles de sécurité ▲ qui signifient PRUDENCE, ATTENTION ou DANGER et concernent la sécurité des personnes. Veillez à lire et bien comprendre ces directives qui portent sur votre sécurité. **Ne pas les respecter, c'est risquer de vous blesser, de vous électrocuter ou de provoquer un incendie.**

**Évitez les environnements dangereux** – N'utilisez pas et ne chargez pas la débroussailleuse dans un endroit humide.

N'utilisez pas et ne chargez pas la débroussailleuse sous la pluie.

**Tenez les enfants et les spectateurs à distance** – Ne laissez approcher personne de la zone de travail.

**Portez des vêtements adéquats** – Ne portez pas de vêtements amples ou de bijoux qui risquent de s'accrocher dans les pièces mobiles. Portez des gants en caoutchouc et des chaussures solides pour travailler à l'extérieur. Si vous avez les cheveux longs, attachez-les ou protégez-les de manière adéquate.

**Portez des lunettes de sécurité** – Les lunettes de sécurité sont en vente dans le commerce. Portez un masque facial ou anti-poussière si la zone de travail est très poussiéreuse.

**Utilisez le bon appareil pour le travail en main** – N'utilisez la débroussailleuse que pour l'usage auquel elle est destinée. **Ne l'utilisez pas comme coupe-bordures.**

**Évitez les démarrages accidentels** – Ne posez pas les doigts sur le commutateur lorsque vous transportez l'appareil.

Le déflecteur doit toujours être en place et en bon état.

N'approchez pas les pieds et les mains de la zone de coupe. Ne touchez pas la lame exposée sous le déflecteur d'herbe.

Arrêtez toujours le moteur lorsque vous laissez la débroussailleuse sans surveillance, avant de nettoyer le carter ou pour toute réparation ou révision.

**Ne faites pas forcer la débroussailleuse** – Vous obtiendrez de meilleurs résultats et vous risquerez moins de vous blesser si vous respectez le régime pour lequel elle est conçue.

**Ne travaillez pas trop loin devant vous** – Gardez toujours les pieds bien posés à terre et faites en sorte de ne pas perdre l'équilibre.

**Restez vigilant** – Regardez où vous allez et ce que vous faites. Faites preuve de bon sens. Ne vous servez pas de l'appareil si vous êtes fatigué.

**Rangez la débroussailleuse à l'intérieur** – Lorsque la débroussailleuse ne sert pas, rangez-la dans un local sec et fermé ou en hauteur, hors de portée des enfants.

**Gardez la débroussailleuse en bon état** – Suivez les instructions de changement des accessoires. Examinez régulièrement la débroussailleuse et faites-la réparer par un réparateur Toro agréé si elle est endommagée. Gardez les poignées sèches et propres, et exemptes d'huile et de graisse. La débroussailleuse n'a pas besoin d'être lubrifiée.

**Contrôlez l'état des pièces** – Si des pièces sont endommagées, arrêtez la débroussailleuse et faites-la réparer avant de la réutiliser. Ne confiez la débroussailleuse qu'à un réparateur Toro agréé. Lors de l'entretien, n'utilisez que des pièces de rechange **Toro** identiques.

Pour réduire les risques de décharge électrique, remplacez le chargeur immédiatement si le carter du chargeur ou le cordon d'alimentation est endommagé.

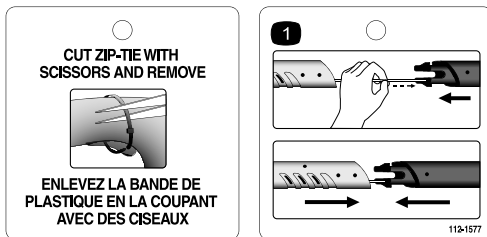
## CONSERVEZ CES INSTRUCTIONS

# Autocollants de sécurité et d'instruction

**Important:** Les autocollants de sécurité et d'instruction sont placés près des endroits potentiellement dangereux. Remplacez les autocollants endommagés.



**112-1565**



**112-1577**

Étiquette accrochée

1. Passez le cordon au centre de la section avant de monter la poignée.

# Mise en service

## 1. Assemblage de la débroussailleuse

Passez autant du cordon que possible au centre de la section et enclenchez les deux moitiés l'une dans l'autre (Figure 1).

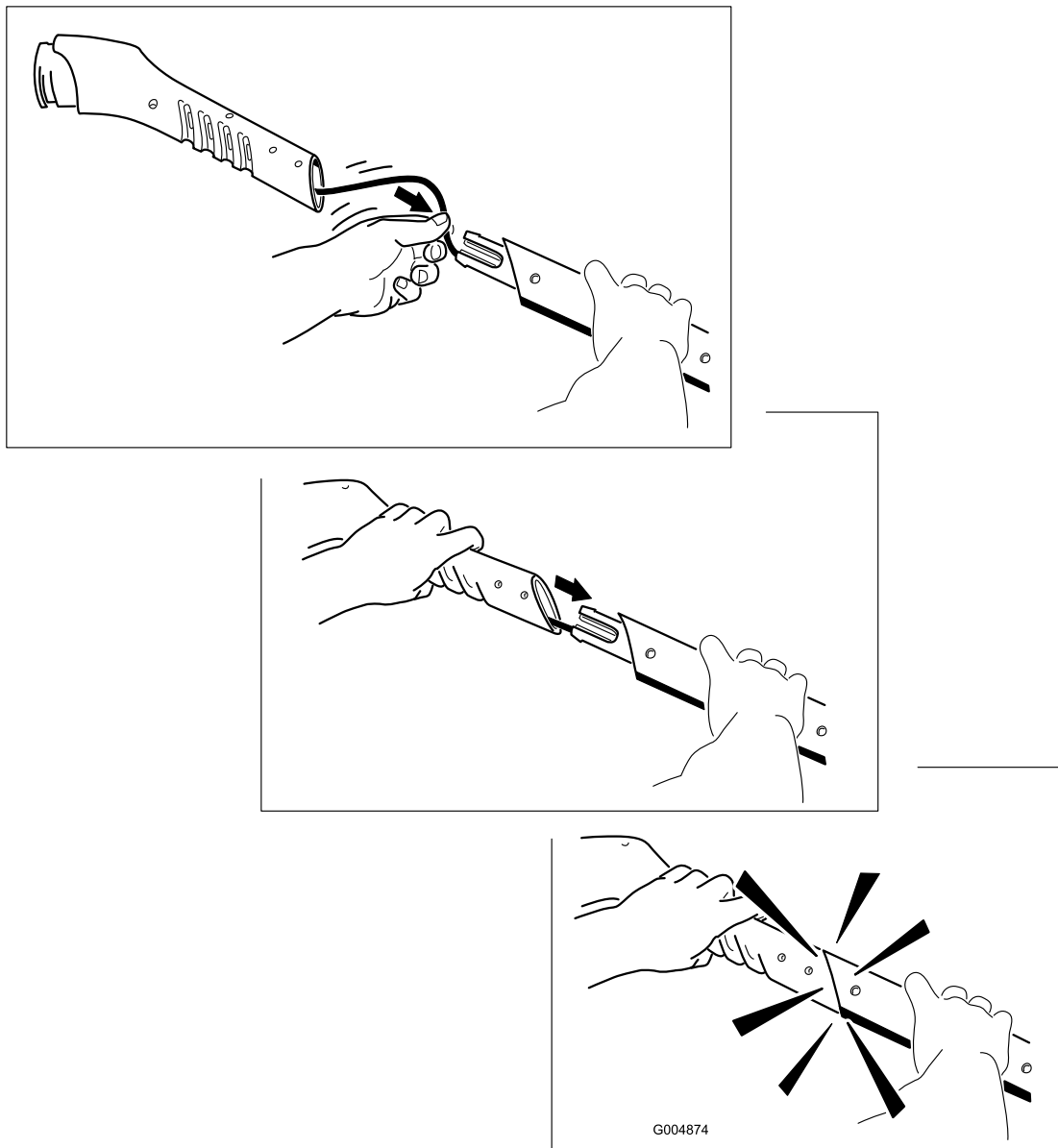


Figure 1

## 2. Montage du déflecteur

Enclenchez le déflecteur en place (Figure 2).

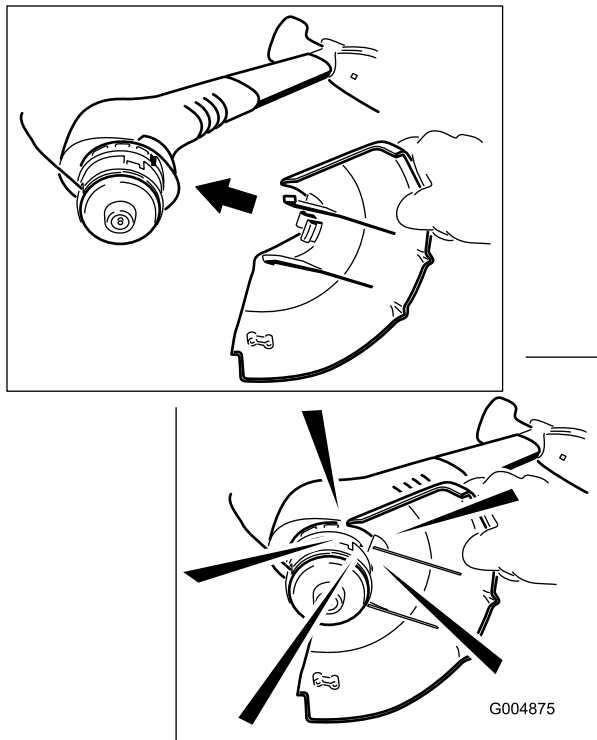


Figure 2

## Utilisation

### Charge de la batterie

Chargez la batterie pendant 24 heures ou jusqu'à ce que le témoin de charge vert s'allume sur le chargeur avant la première utilisation, puis après chaque utilisation.

**Important:** Rechargez la batterie après chaque utilisation. La vie de la batterie sera réduite si vous rangez l'appareil sans recharger la batterie. Cette batterie au plomb n'a pas de mémoire et n'a donc pas besoin d'être entièrement déchargée avant d'être rechargée.

1. Branchez la prise du chargeur à celle de la débroussailleuse (Figure 3).

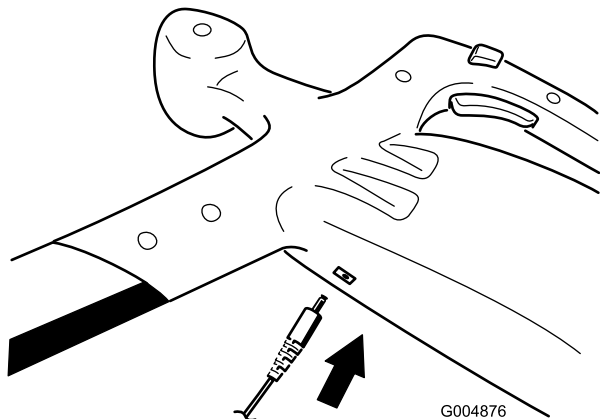


Figure 3

**Important:** N'utilisez que le chargeur fourni avec la débroussailleuse ou un chargeur Toro d'origine en vente chez les concessionnaires Toro.

2. Branchez le chargeur à une prise murale.

**Remarque:** Le témoin de charge rouge s'allume pendant la charge de la batterie ; il devient vert lorsque la batterie est chargée au maximum ou lorsque la débroussailleuse est débranchée.

3. Chargez la batterie pendant 24 heures ou jusqu'à ce que le voyant de charge devienne vert.
4. Débranchez le chargeur du secteur et de la débroussailleuse.

**Remarque:** Le témoin de charge est toujours allumé lorsque la débroussailleuse est connectée au chargeur et au secteur ; il reste allumé une fois la batterie chargée au maximum.

## Démarrage de la débroussailleuse

Appuyez sur le bouton latéral puis actionnez la gâchette (Figure 4).

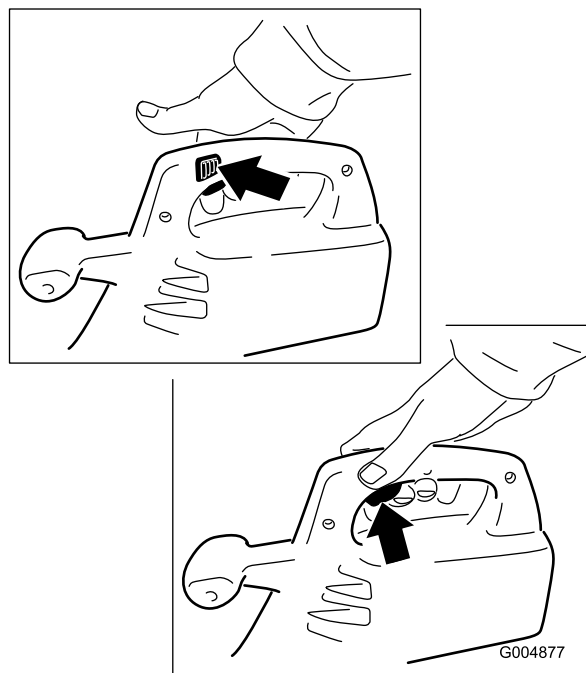


Figure 4

## Arrêt de la débroussailleuse

Relâchez la gâchette.

## Conseils d'utilisation



Lorsque la débroussailleuse est en marche, la tête de coupe tourne. Vous risquez de vous blesser si vous touchez le fil ou la tête de coupe.

- N'approchez pas la tête de coupe de vos pieds ou de ceux de personnes à proximité.
- Vérifiez que la tête de coupe s'est arrêtée de tourner et que la débroussailleuse est débranchée avant de la retourner. Ne mettez la débroussailleuse en marche lorsqu'elle est retournée.



Lorsqu'elle est en marche, la débroussailleuse peut projeter des objets en direction de l'utilisateur ou de personnes à proximité et les blesser.

- Portez des lunettes de sécurité ou une autre protection oculaire appropriée, un pantalon et des chaussures pour travailler avec la débroussailleuse.
- N'utilisez pas la débroussailleuse comme coupe-bordures.
- Tenez tout le monde et tous les animaux à l'écart de la zone de travail.

Pour réduire l'usure du fil et améliorer les performances de l'appareil, appliquez les techniques de coupe suivantes :

- Inspectez soigneusement la zone de travail à la recherche de câbles, ficelles ou fils susceptibles de se prendre dans le fil en rotation. Ramassez les objets ou débris susceptibles d'être projetés par la débroussailleuse.
- N'utilisez la débroussailleuse que lorsque l'herbe est sèche.
- Déplacez la débroussailleuse lentement à l'intérieur et à l'extérieur de la zone de travail (Figure 5).

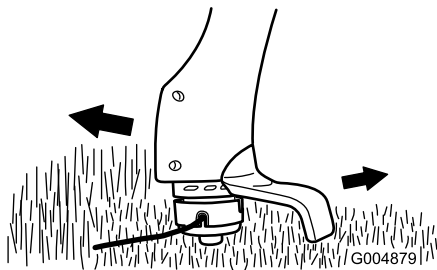


Figure 5

- Coupez l'herbe de plus de 20 cm de haut en bas, en progressant par petites étapes.
- **Ne faites pas forcer la débroussailleuse.** Seule l'extrémité du fil en nylon doit servir à la coupe, surtout le long des murs.
- **Ne traînez pas la bobine de la débroussailleuse sur le sol pendant que vous travaillez.**
- Après chaque utilisation, faites sortir un peu le fil en nylon pour l'empêcher de se rétracter dans la tête de coupe.

- La débroussailleuse ne peut pas être surchargée. Laissez-la branchée sur le chargeur quand elle ne sert pas durant la saison de coupe.
- Remisez la débroussailleuse dans un local frais et sec, à l'abri de la lumière directe du soleil et de sources de chaleur.

## Allonger le fil

L'extrémité du fil de coupe s'use à l'usage et diminue la largeur de coupe.

Pour allonger le fil de coupe, tapez la bobine sur le sol quand la débroussailleuse est en marche (Figure 6).

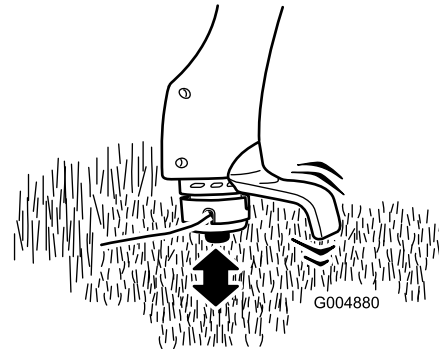


Figure 6

**Remarque:** La lame dissimulée sous le déflecteur coupe automatiquement le fil à la longueur voulue.

**Important:** Respectez les consignes de sécurité suivantes pour obtenir des résultats optimaux :

- **Ne posez pas la bobine sur le sol.**
- Tapez la bobine une seule fois sur le sol pour faire sortir le fil. Pour augmenter la longueur de fil, attendez quelques secondes avant de taper la bobine.
- N'attendez pas que le fil devienne trop court.
- Dans la mesure du possible, la longueur du fil doit être équivalente au diamètre de coupe.
- Si le fil n'est pas allongé périodiquement, il s'usera jusqu'à l'œillet. Lorsque la débroussailleuse s'arrête, le fil a tendance à se détendre et risque de se rétracter dans la tête de coupe. Si cela se produit, enlevez la bobine, enfiler le fil dans l'œillet et remontez la bobine sur l'appareil.

## Remplacement du fil

Si le fil doit être remplacé, procurez-vous une bobine préenroulée neuve (modèle N° 88185 ou 88045) ou du fil en vrac (1,7 mm diam. x 3 m) à enrouler sur la bobine usagée. Tous deux sont en vente chez les concessionnaires Toro agréés.



Tout fil autre que le fil nylon monofilament Toro de 1,7 mm de diamètre risque d'entailler les vêtements et la peau et de causer des blessures et/ou de soumettre le moteur à une charge excessive, pouvant donner lieu à un incendie ou une électrocution. N'utilisez pas de fil métallique, de lames en plastiques ou de fil ou matériel de coupe autre que le fil nylon monofilament Toro de 1,7 mm de diamètre en bobine de 3 m maximum.

La bobine peut s'user au cours de l'utilisation normale de la débroussailleuse et a parfois besoin d'être remplacée.

**Remarque:** Si le fil s'emmêle ou casse au niveau de l'œillet, arrêtez la débroussailleuse, enlevez la bobine de la manière décrite ci-après, passez le fil dans l'œillet et remontez la bobine sur la tête de coupe.



Si vous ne montez pas correctement l'ensemble bobine et chapeau, la débroussailleuse risque de les projeter lors de l'utilisation et de blesser l'utilisateur ou les personnes à proximité. Vérifiez que la bobine et le chapeau sont correctement montés, et que les deux languettes de blocage du chapeau sont bien engagées dans le boîtier de la bobine.

1. Appuyez sur les languettes de chaque côté du chapeau (Figure 7).

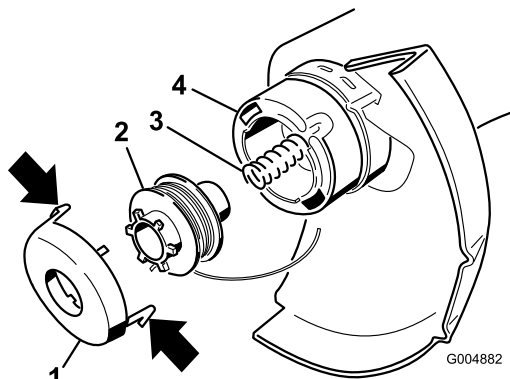


Figure 7

- |             |                  |
|-------------|------------------|
| 1. Capuchon | 3. Ressort       |
| 2. Tiroir   | 4. Tête de coupe |

**Remarque:** Si la débroussailleuse est neuve, aidez-vous au besoin d'un tournevis pour engager les languettes dans le chapeau.

**Remarque:** Si le ressort tombe de la tête de coupe, remettez-le en place avant de monter la bobine et le chapeau.

2. S'il reste encore du fil de coupe (généralement un petit morceau), enlevez-le et jetez-le.
3. Nettoyez soigneusement la tête de coupe. Recherchez les pièces éventuellement endommagées ou usées.
4. Pour enrouler un fil neuf autour de la bobine existante, procédez comme suit :

- A. Accrochez une extrémité du fil dans la fente de la bobine, en prenant soin que le fil ne dépasse pas de plus de 3 mm, et poussez l'extrémité du fil complètement à l'intérieur de la fente.
- B. Enroulez le fil dans le sens de la flèche figurant sur la bobine, en rangs réguliers entre les rebords de la bobine (Figure 8).

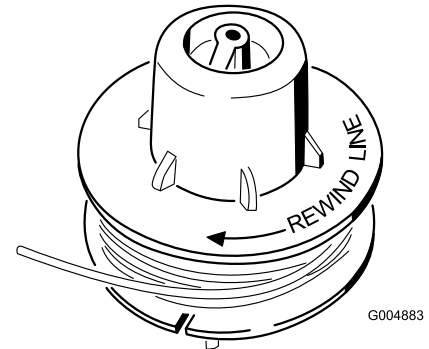


Figure 8

La débroussailleuse ne pourra pas fonctionner correctement si le fil est enroulé dans le mauvais sens, si son extrémité dépasse de plus de 3 mm ou, si une fois enroulé, il dépasse des bords de la bobine.

5. Ne déroulez pas plus de 75 mm de fil à la fois (qu'il s'agisse d'une bobine neuve ou de fil réenroulé) et maintenez le fil et la bobine pour l'empêcher de se dérouler.
6. Tout en tenant le fil et la bobine, placez le chapeau sur la bobine.
7. Insérez le fil dans l'œillet et alignez les languettes du chapeau avec les fentes de la tête de coupe.
8. Appuyez sur les languettes et poussez sur le chapeau et la bobine pour bloquer le chapeau en position (Figure 9).

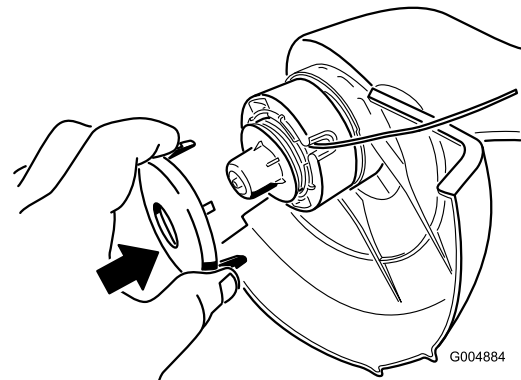


Figure 9

**Remarque:** Il faudra peut-être tourner légèrement la bobine pour l'installer correctement.

Si l'installation est correcte, la tête de coupe doit être positionnée comme illustré à la Figure 10.

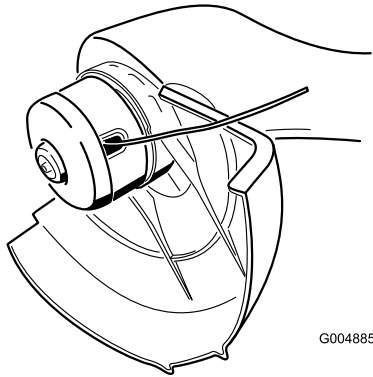


Figure 10

## Entretien

Après chaque utilisation de la débroussailleuse, suivez les procédures ci-après :

- Essayez la débroussailleuse avec un chiffon humide. **Ne lavez pas la débroussailleuse au jet d'eau et ne la trempez pas dans l'eau.**
- Essayez ou grattez la tête de coupe et la bobine pour enlever les débris accumulés dessus.
- Vérifiez le couple de serrage des fixations. Réparez ou remplacez les pièces éventuellement endommagées ou manquantes.
- Débarrassez les grilles d'entrée des débris accumulés (Figure 11).

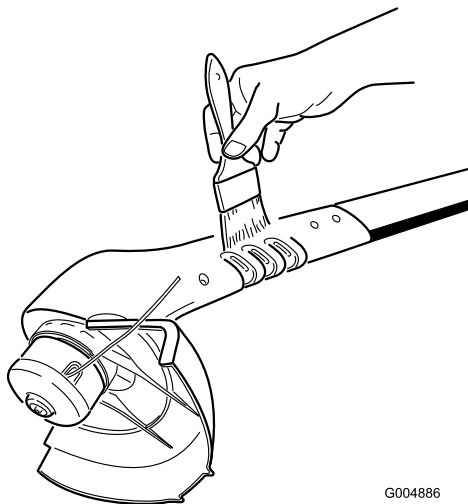


Figure 11

**Important:** Les grilles d'entrée d'air doivent être exemptes d'herbe ou d'autres débris pour éviter de faire surchauffer le moteur.

## Comment se débarrasser de la batterie

Lorsque la batterie ne peut plus être rechargée, vous pouvez vous en procurer une neuve et la faire installer par un concessionnaire Toro agréé. Si vous devez mettre la débroussailleuse au rebut, retirez et recyclez la batterie au préalable.



**Les bornes de la batterie et accessoires connexes contiennent du plomb et des composés de plomb. L'état de Californie considère ces substances chimiques comme susceptibles de provoquer des cancers et des troubles de la reproduction. Lavez-vous les mains après avoir manipulé la batterie.**

1. Retirez les 2 boulons et écrous de fixation de la partie poignée sur la partie centrale de la débroussailleuse.
2. Retirez les 6 vis de fixation des deux moitiés de la poignée et dissociez les deux moitiés.
3. Déposez la batterie et débranchez-la des fils.
4. Mettez la débroussailleuse au rebut.
5. Recyclez la batterie au plomb conformément à la réglementation locale en matière d'environnement.

## Remisage

Si la débroussailleuse ne doit pas servir pendant plus d'un mois, débranchez le chargeur du secteur et de la débroussailleuse une fois que cette dernière est complètement chargée. Ne remisez pas la débroussailleuse encore raccordée au chargeur. La vie de la batterie sera réduite si la débroussailleuse est remise dans un local chaud. Si vous êtes obligé de remiser la débroussailleuse dans un local chaud, chargez la batterie pendant 24 heures tous les 2 à 3 mois durant le remisage.

## Entretien

Toro a conçu ce produit pour vous offrir des années de bons et loyaux services. Lorsqu'un entretien est requis, confiez l'appareil à un réparateur Toro agréé. Celui-ci possède les compétences nécessaires pour réparer les produits Toro et il saura garder votre appareil Toro exclusivement Toro.

## La promesse de Toro – Débroussailleuses Électrique

Une garantie intégrale de deux ans pour usage domestique valable aux États-Unis, au Canada et au Mexique. La société Toro et sa filiale, la société Toro Warranty, en vertu de l'accord passé entre elles, s'engagent conjointement à réparer le produit utilisé à des fins domestiques normales s'il présente un défaut de fabrication, pendant une période de deux ans.

- Pour toute demande de renseignement, avant de renvoyer ce produit, téléphonez au numéro vert suivant: 1-800-237-2654 (États-Unis), ou 1-800-248-3258 (Canada), ou 1-800-808-3176 (Mexique).
- Pour recevoir un appareil de rechange ou un réparé, suivant notre choix, renvoyez l'appareil au complet, port payé, au vendeur. **Seuls** les clients américains peuvent renvoyer leur produit, accompagné d'une preuve d'achat, à n'importe quel réparateur agréé ou au Toro Service Center, 21350 Cedar Avenue S., Lakeville, MN 55044-9090.

Cette garantie couvre les défauts de produit uniquement. **La société Toro et la société Toro Warranty déclinent toute responsabilité en cas de dommages secondaires ou indirects liés à l'utilisation des produits Toro couverts par cette garantie, notamment quant aux coûts et dépenses encourus pour se procurer un équipement ou un service de substitution durant une période raisonnable pour cause de défaillance ou d'indisponibilité en attendant la réparation sous garantie. L'exclusion de la garantie des dommages secondaires ou indirects n'est pas autorisée dans certains états, et peut donc ne pas s'appliquer dans votre cas.** Cette garantie vous accorde des droits spécifiques, auxquels peuvent s'ajouter d'autres droits qui varient selon les états.

### Autres pays que les États-Unis, le Canada ou le Mexique

Pour les produits Toro exportés des États-Unis, du Canada ou du Mexique, demandez à votre distributeur (concessionnaire) Toro la police de garantie applicable dans votre pays, région ou état. Si, pour une raison quelconque, vous n'êtes pas satisfait des services de votre distributeur, ou si vous avez du mal à vous procurer les informations de garantie, adressez-vous à l'importateur Toro. En dernier recours, adressez-vous à la société Toro Warranty.

Réf. 374-0057 Rév. B