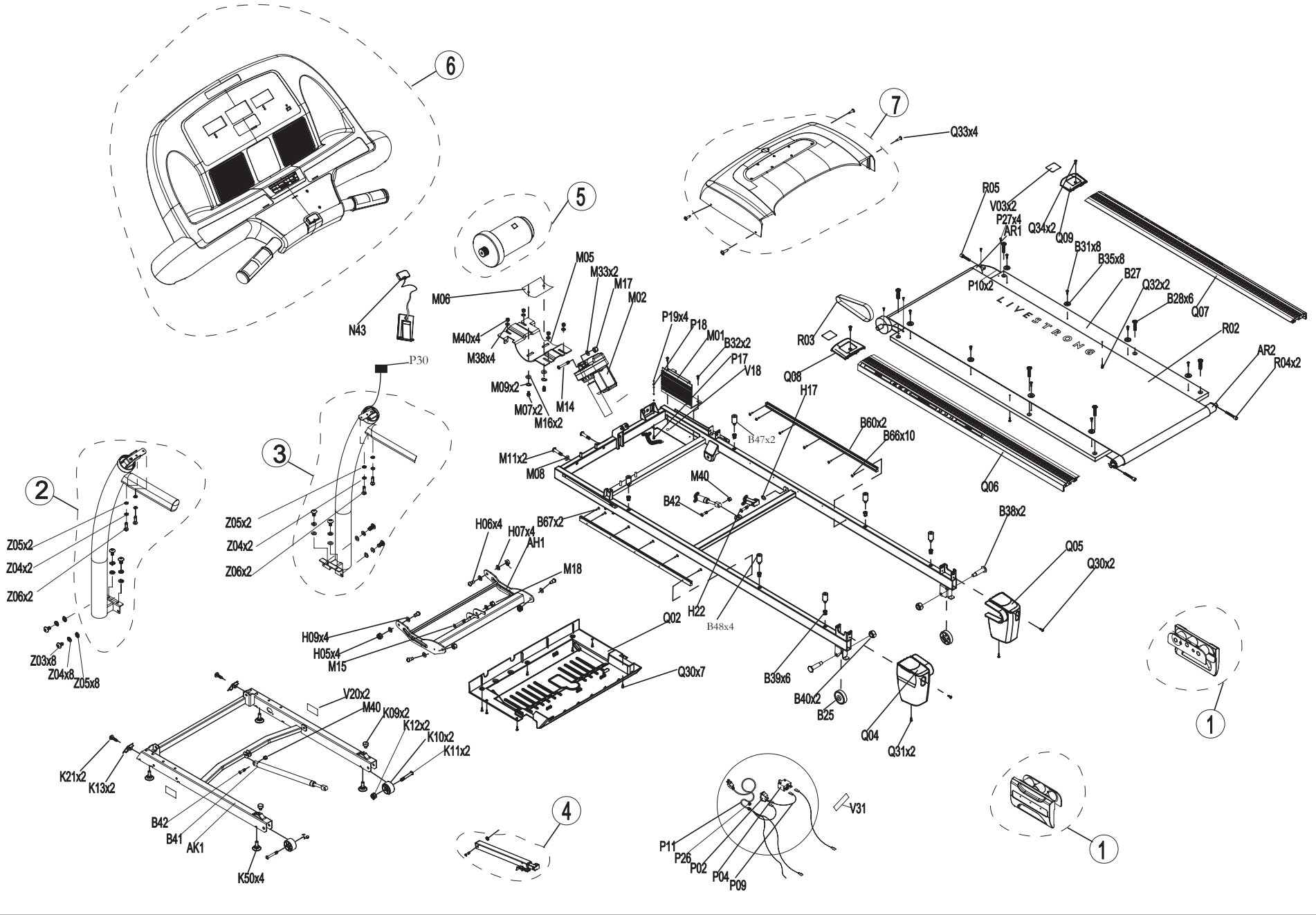
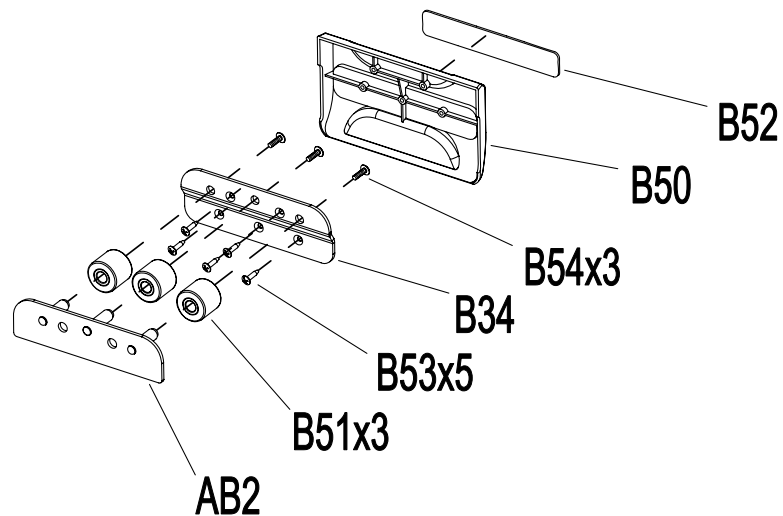


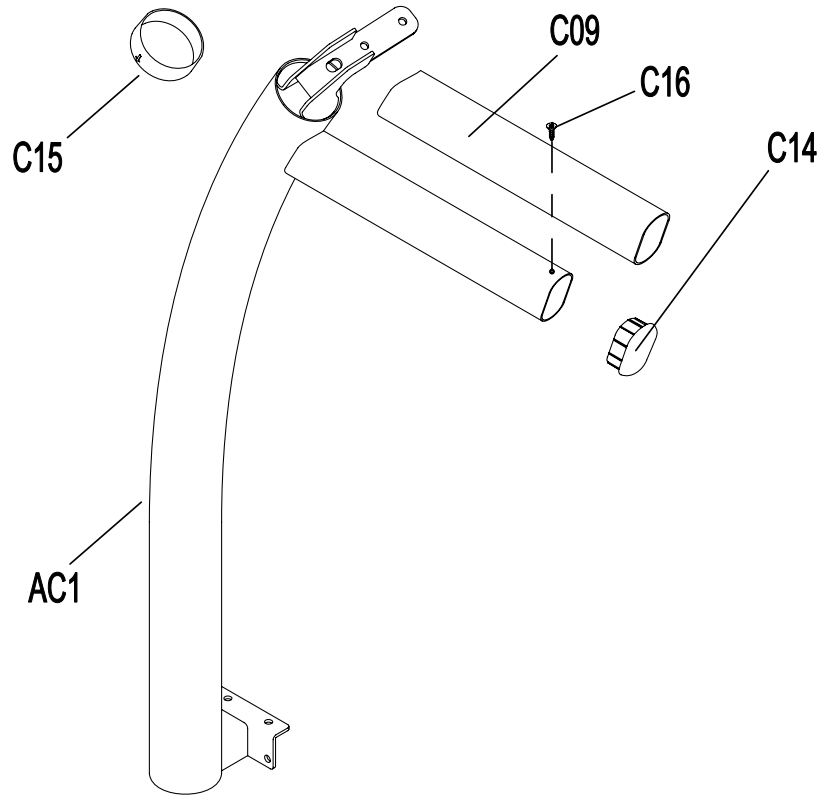
DRAWING NO	TM652-1US		
PART NAME	EXPLOSIVE DRAWING		
PART NO	HTM0861-00	REV	A
APPROVE		DATE	2011.03.14



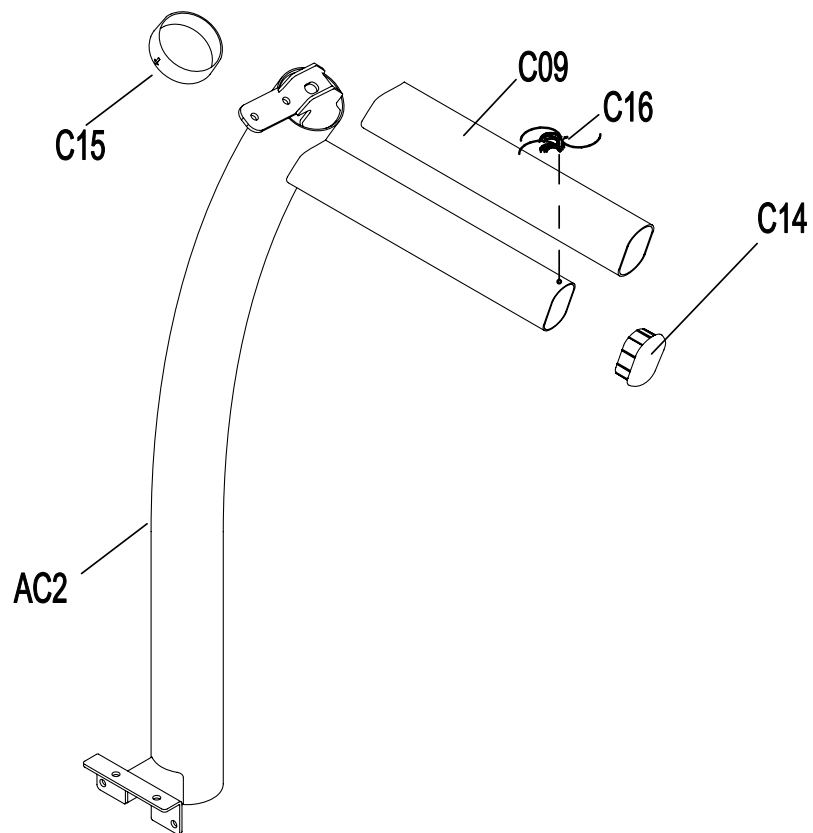
DRAWING NO	TM641-A23		
PART NAME	CUSHION FRAME SET		
PART NO	1000206505	1/1	A
APPROVE		DATE	2010.09.15



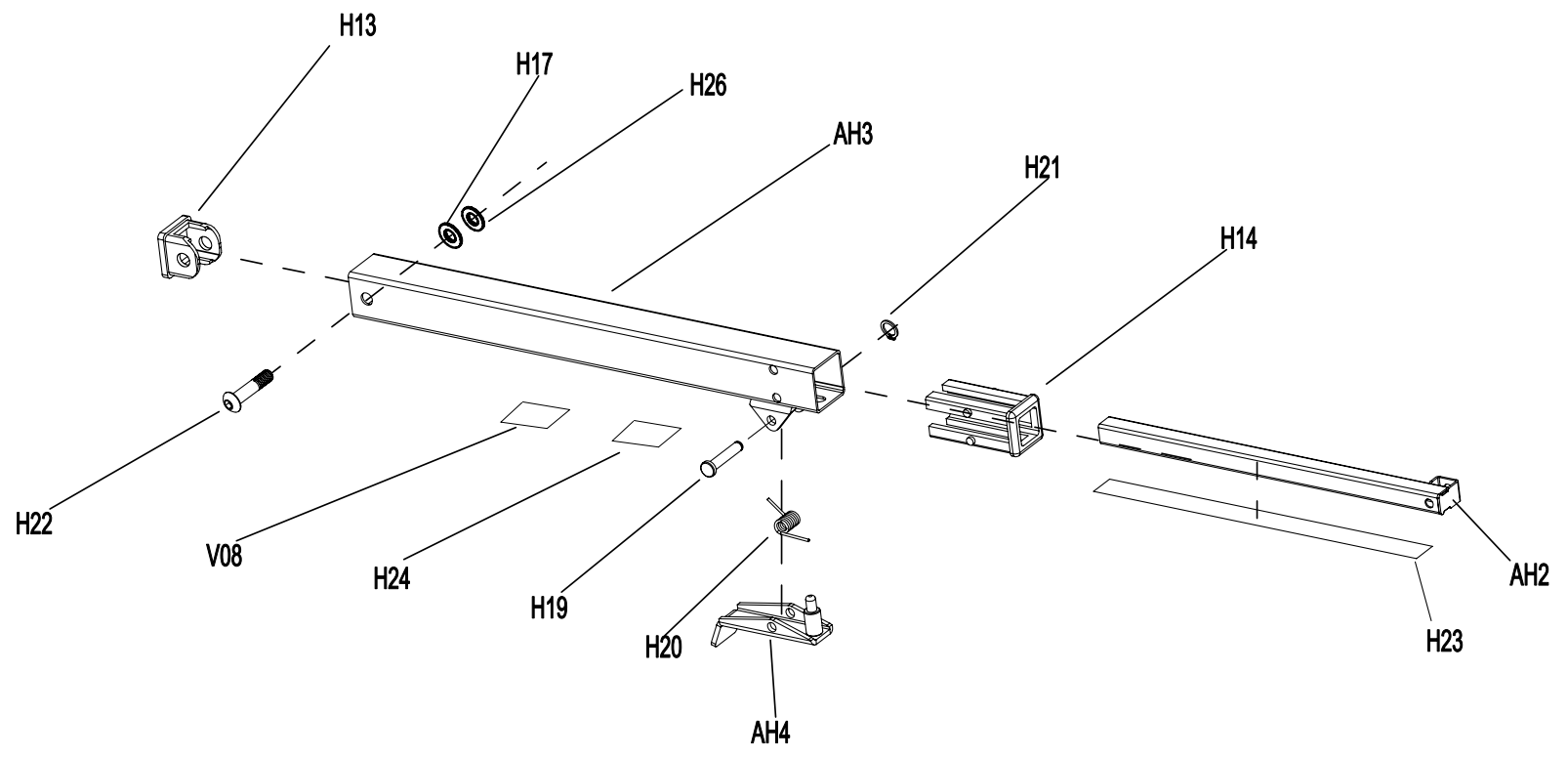
DRAWING NO	TM641-A07		
PART NAME	Console Mast Set;L		
PART NO	1000206514	REV	A
APPROVE		DATE	2010.09.15



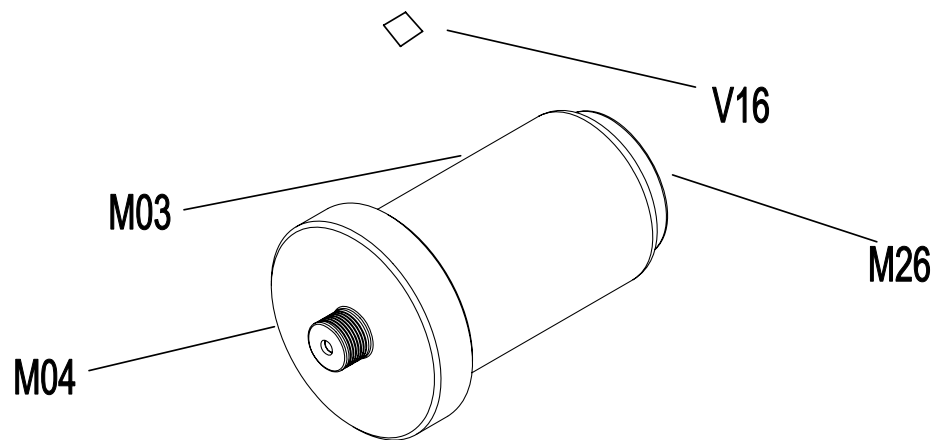
DRAWING NO	TM641-A08		
PART NAME	Console Mast Set;R		
PART NO	1000206515	←TM/R	A
APPROVE		DATE	2010.09.15



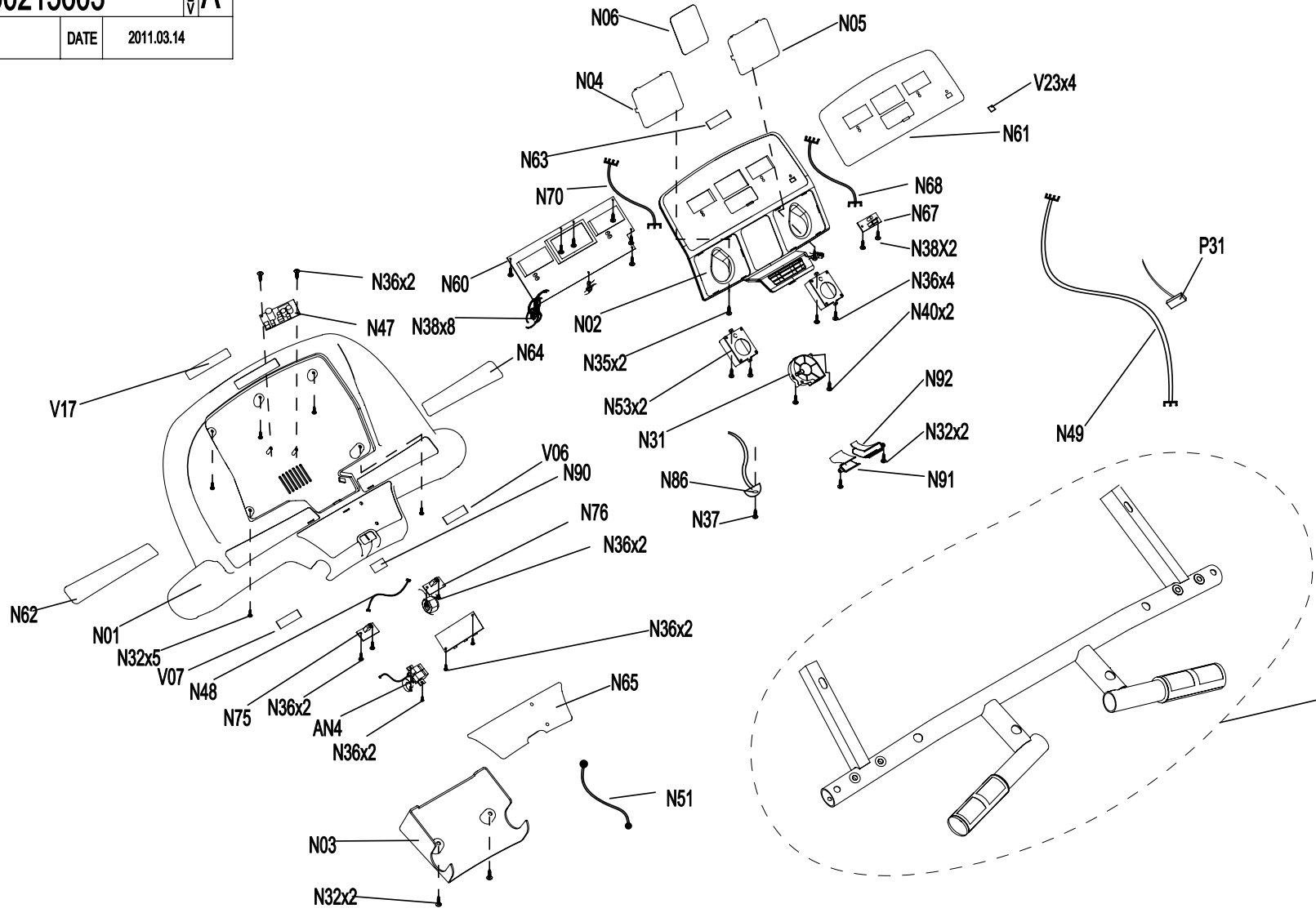
DRAWING NO	TM652-A09		
PART NAME	Sleeve Set		
PART NO	1000215552	REV	A
APPROVE		DATE	2011.03.11



DRAWING NO	TM652-A12		
PART NAME	Motor Set		
PART NO	1000215604	REV	A
APPROVE		DATE	2010.09.15

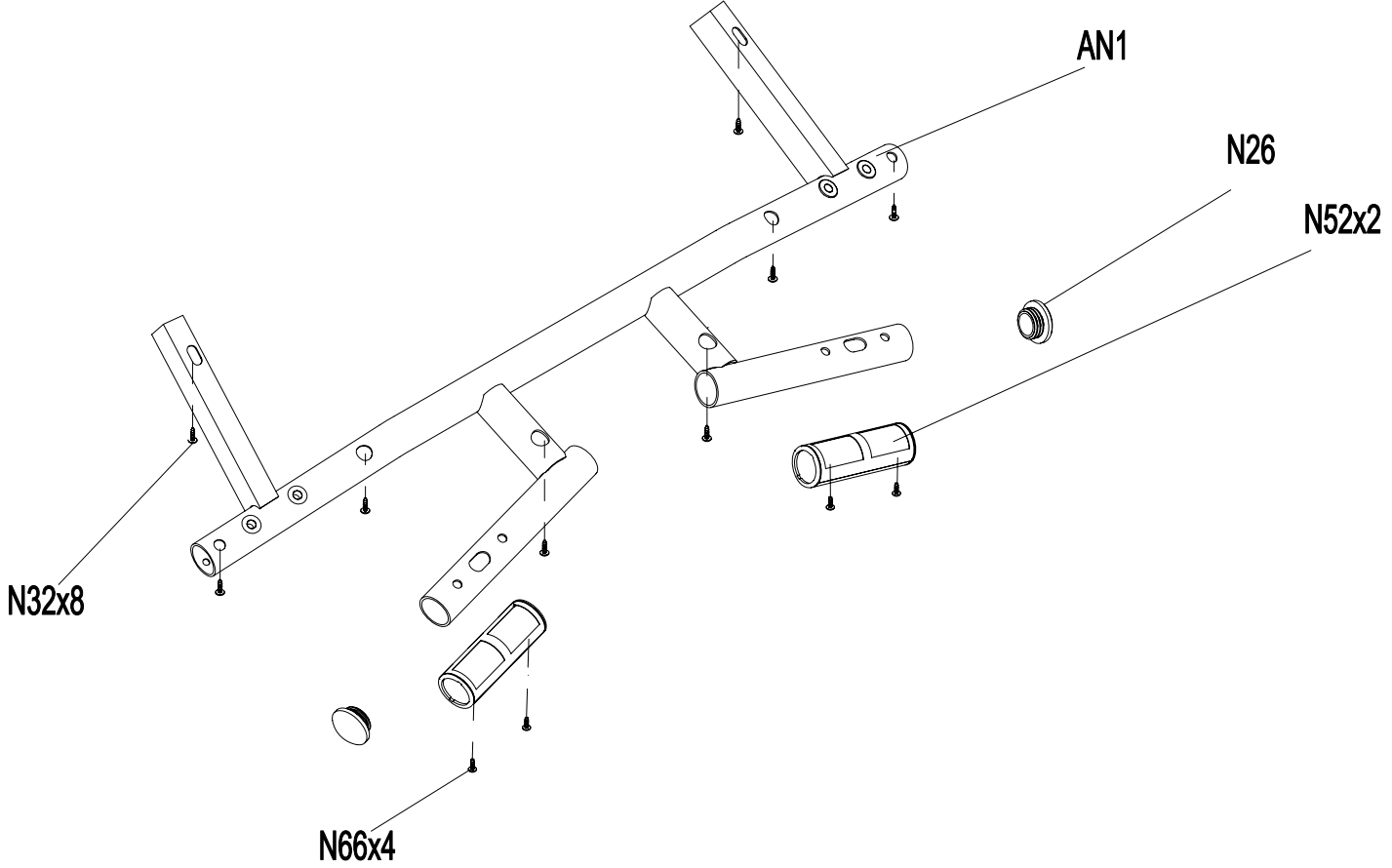


DRAWING NO	TM652-A13		
PART NAME	Console Set		
PART NO	1000215603	REV	A
APPROVE	DATE	2011.03.14	



8

DRAWING NO	TM641-A16		
PART NAME	Console Base Set		
PART NO	1000114406	REV	A
APPROVE		DATE	2010.09.15



DRAWING NO	TM641-A17		
PART NAME	Motor Cover Set		
PART NO			REV A
APPROVE		DATE	2010.09.15

