



# TREADMILL GUIDE GUIDE DU TAPIS ROULANT GUÍA DE LA CAMINADORA



Read this TREADMILL GUIDE before using the OWNER'S MANUAL.

Lire le présent GUIDE DU TAPIS ROULANT avant d'utiliser le MANUEL DU PROPRIÉTAIRE.

Lea esta GUÍA DE LA CAMINADORA antes de usar el MANUAL DEL PROPIETARIO.

3	ENGLISH
22	FRANÇAIS
42	ESPAÑOL

# IMPORTANT PRECAUTIONS



## SAVE THESE INSTRUCTIONS

Read this TREADMILL GUIDE before using the OWNER'S MANUAL. When using an electrical product, basic precautions should always be followed, including the following: Read all instructions before using this treadmill. It is the responsibility of the owner to ensure that all users of this treadmill are adequately informed of all warnings and precautions. If you have any questions after reading this guide, contact Customer Tech Support at the number listed on the back panel of the OWNER'S MANUAL.



## **WARNING**

### **TO REDUCE THE RISK OF BURNS, FIRE, ELECTRICAL SHOCK OR INJURY TO PERSONS:**

- Never use the treadmill before securing the safety tether clip to your clothing.
- If you experience any kind of pain, including but not limited to chest pains, nausea, dizziness, or shortness of breath, stop exercising immediately and consult your physician before continuing.
- When exercising, always maintain a comfortable pace.
- Do not wear clothes that might catch on any part of the treadmill.
- Always wear athletic shoes while using this equipment.
- Do not jump on the treadmill.
- Do not operate under blanket or pillow. Excessive heating can occur and cause fire, electric shock, or injury to persons.
- At no time should more than one person be on treadmill while in operation.
- This treadmill should not be used by persons weighing more than specified in the OWNER'S MANUAL WARRANTY SECTION. Failure to comply will void the warranty.
- This treadmill is intended for in-home use only. Do not use this treadmill in any commercial, rental, school or institutional setting. Failure to comply will void the warranty.
- Do not use treadmill in any location that is not temperature controlled, such as but not limited to garages, porches, pool rooms, bathrooms, car ports or outdoors. Failure to comply may void the warranty.
- To prevent electrical shock, never drop or insert any object into any opening.
- The treadmill should never be left unattended when plugged in. Unplug from outlet when not in use and before putting on or taking off parts.
- Keep power cord away from heated surfaces. Do not carry this unit by its supply cord or use the cord as a handle.
- Disconnect all power before servicing or moving the equipment. To clean, wipe surfaces down with soap and slightly damp cloth only; never use solvents. (See MAINTENANCE)
- Do not use other attachments that are not recommended by the manufacturer. Attachments may cause injury.
- Do not remove the console covers unless instructed by Customer Tech Support. Service should only be done by an authorized service technician.
- Never operate the treadmill with the air opening blocked. Keep the air opening clean, free of lint and hair.
- Do not operate where aerosol (spray) products are being used or when oxygen is being administered.
- Use the treadmill only as described in the treadmill guide and owner's manual.
- When lowering the treadmill deck, wait until rear feet are firmly on the floor before stepping on the deck.



At NO time should pets or children under the age of 13 be closer to the treadmill than 10 feet.  
 At NO time should children under the age of 13 use the treadmill.  
 Children over the age of 13 or disabled persons should not use the treadmill without adult supervision.

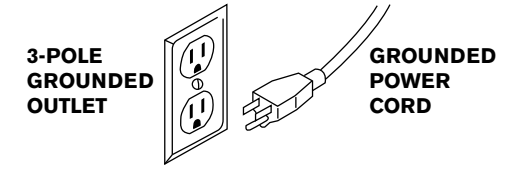
It is essential that your treadmill is used only indoors, in a climate controlled room. If your treadmill has been exposed to colder temperatures or high moisture climates, it is strongly recommended that the treadmill is warmed up to room temperature before first time use. Failure to do so may cause premature electronic failure.

### **GROUNDING INSTRUCTIONS**

This product must be grounded. If a treadmill should malfunction or breakdown, grounding provides a path of least resistance for electrical current to reduce the risk of electrical shock. This product is equipped with a cord having an equipment-grounding conductor and a grounding plug. The plug must be plugged into an appropriate outlet that is properly installed and grounded in accordance with local codes and ordinances.

Improper connection of the equipment-grounding conductor can result in a risk of electric shock. Check with a qualified electrician or serviceman if you are in doubt as to whether the product is properly grounded. Do not modify the plug provided with the product. If it will not fit the outlet, have a proper outlet installed by a qualified electrician.

This product is for use on a nominal 110-volt circuit and has a grounding plug that looks like the illustration. This product must be used on a dedicated circuit. To determine if you are on a dedicated circuit, shut off the power to that circuit and observe if any other devices lose power. If so, move devices to a different circuit. Note: There are usually multiple outlets on one circuit. This treadmill should be used with a minimum 15-amp circuit.



### **WARNING**

Connect this exercise product to a properly grounded outlet only.  
 Never operate product with a damaged cord or plug even if it is working properly. Never operate any product if it appears damaged, or has been immersed in water. Contact Customer Tech Support for replacement or repair.



# BASIC OPERATION



## CONGRATULATIONS ON CHOOSING YOUR TREADMILL!

You've taken an important step in developing and sustaining an exercise program! Your treadmill is a tremendously effective tool for achieving your personal fitness goals. Regular use of your treadmill can improve the quality of your life in so many ways.

Here are just a few of the health benefits of exercise:

- Weight Loss
- A Healthier Heart
- Improved Muscle Tone
- Increased Daily Energy Levels

The key to reaping these benefits is to develop an exercise habit. Your new treadmill will help you eliminate obstacles that prevent you from exercising. Inclement weather and darkness won't interfere with your workout when you use your treadmill in the comfort of your home. This guide provides you with basic information for using and enjoying your new machine.



## LOCATION OF THE TREADMILL

Place the treadmill on a level surface. There should be 7 feet of clearance behind the treadmill, 3 feet on each side and one foot in front for folding and the power cord. Do not place the treadmill in any area that will block any vent or air openings. The treadmill should not be located in a garage, covered patio, near water or outdoors.

## DO NOT STAND ON THE BELT

While you are preparing to use the treadmill, do not stand on the belt. Place your feet on the side rails before starting the treadmill. Start walking on the belt only after the belt has begun to move. Never start the treadmill at a fast running speed and attempt to jump on!

## USING THE SAFETY KEY

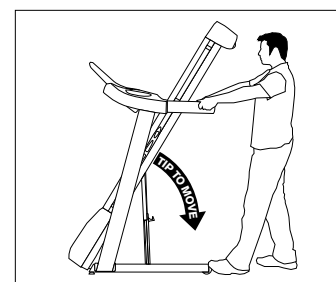
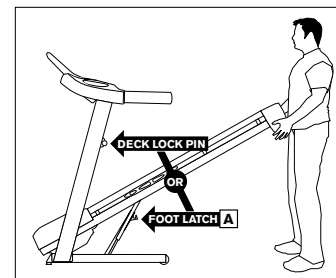
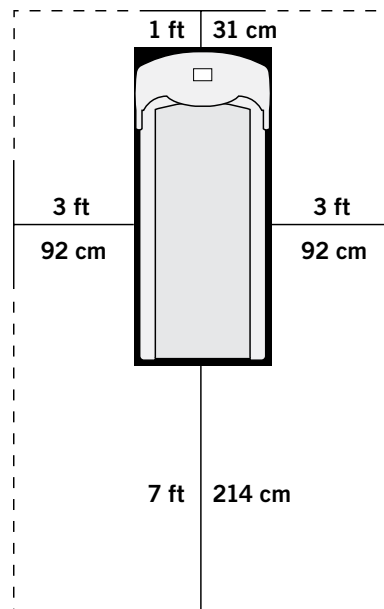
Your treadmill will not start unless the safety key is placed in position. Attach the clip end securely to your clothing. This safety key is designed to cut the power to the treadmill if you should fall. Check the operation of the safety key every 2 weeks.

### WARNING

Never use the treadmill without securing the safety key clip to your clothing. Pull on the safety key clip first to make sure it will not come off your clothing.

## PROPER USAGE

Your treadmill is capable of reaching high speeds. Always start off using a slower speed and adjust the speed in small increments to reach a higher speed level. Never leave the treadmill unattended while it is running. When not in use, remove the safety key, turn the on/off switch to off and unplug the power cord. Make sure to follow the MAINTENANCE schedule in this guide to maintain optimal performance and prevent premature electronic failure. Keep your body and head facing forward. Do not attempt to turn around or look backwards while the treadmill is running. Stop your workout immediately if you feel pain, faint, dizzy or are short of breath.



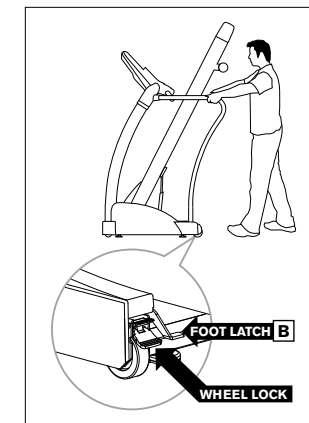
## FOLDING THE TREADMILL

Firmly grasp the back end of the treadmill. Carefully lift the end of the treadmill deck into the upright position until the foot lock latch or deck lock pin engages and securely locks the deck into position. Make sure the deck is securely latched before letting go. To unfold, firmly grasp the back end of the treadmill. Gently press down on the foot lock latch (A or B) with your foot until the lock latch disengages or pull the deck lock pin to release the deck. Carefully lower the deck to the ground.

## MOVING THE TREADMILL

Your treadmill has 2 transport wheels\* built into the frame. To move, make sure the treadmill is folded and securely latched. Then firmly grasp the handlebars, tilt the treadmill back and roll.

\*Some treadmills have 4 transport wheels and 2 wheel locks that must be released before moving. To unlock wheels, push down on the top lever of the rear wheel locks located on the rear corners of the base frame. Then firmly grasp the handlebars, and slowly move the treadmill. After moving to the desired location, push down on the bottom lever of the rear wheel locks to lock the rear wheels. NOTE: Both rear wheel locks must be locked before using the treadmill.

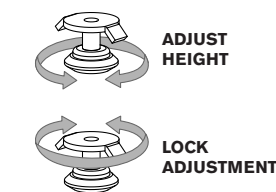


### WARNING

Our Treadmills are heavy, use care and additional help if necessary when moving. Do not attempt to move or transport treadmill unless it is in the upright, folded position with the lock latch secured. Failure to follow these instructions could result in injury.

## LEVELING THE TREADMILL

Your treadmill should be level for optimum use. Once you have placed your treadmill where you intend to use it, raise or lower one or both of the adjustable levelers located on the bottom of the treadmill frame\*. A carpenter's level is recommended. If your treadmill is not level, the running belt may not track properly. Once you have leveled your treadmill, lock the levelers in place by tightening the nuts against the frame. \*NOTE: Some treadmills do not have levelers.





## TENSIONING THE RUNNING BELT

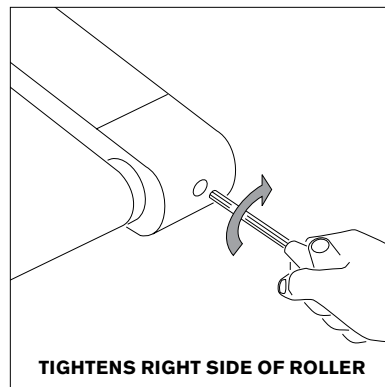
The running belt has been properly adjusted at the factory before it was shipped. At times the belt can move off-center during shipment.

### ⚠ CAUTION

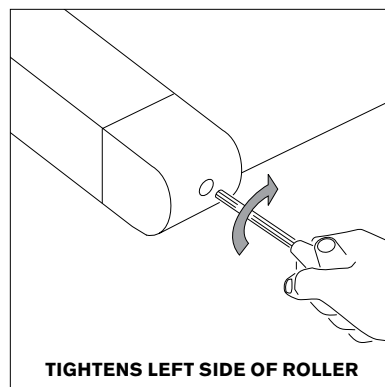
Running belt should NOT be moving during tensioning. Over-tightening the running belt can cause excessive wear on the treadmill as well as its components. Never over-tighten the belt.

If you can feel a slipping sensation when running on the treadmill, the running belt must be tightened. In most cases, the belt has stretched from use, causing the belt to slip. This is a normal and common adjustment. To eliminate this slipping, **turn the treadmill off** and tension **both the rear roller bolts** using the supplied Allen wrench, turning them 1/4 turn to the right as shown. Turn the treadmill on and check for slipping. Repeat if necessary, but **never turn** the roller bolts more than 1/4 turn at a time. Belt is properly tensioned when the slipping sensation is gone.

For more information and/or how-to videos, visit our Customer Support section on our website. Contact information is located on the back page of the Owner's Manual.



TIGHTENS RIGHT SIDE OF ROLLER



TIGHTENS LEFT SIDE OF ROLLER

## CENTERING THE RUNNING BELT

The running belt has been properly adjusted at the factory before it was shipped. At times the belt can move off-center during shipment. Before operating the treadmill, make sure the belt is centered and remains centered to maintain smooth operation.

### ⚠ CAUTION

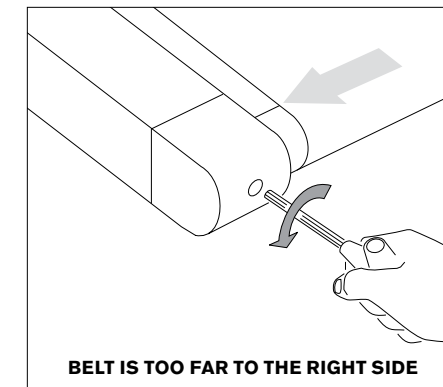
Do not run belt faster than 1 mph while centering. Keep fingers, hair and clothing away from belt at all times.

**If the running belt is too far to the right side:** With the treadmill running at 1 mph, turn the left adjustment bolt counter-clockwise 1/4 turn at a time (using the supplied Allen wrench). Check the belt alignment. Allow belt to run a full cycle to gauge if more adjustment is needed. Repeat if necessary, until the belt remains centered during use.

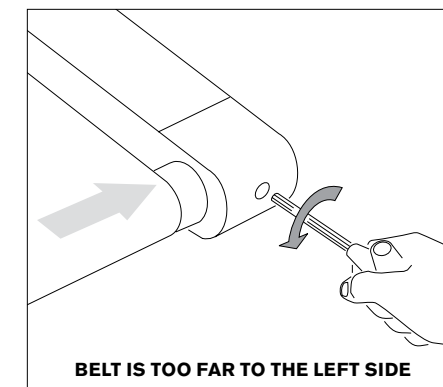
**If the running belt is too far to the left side:** With the treadmill running at 1 mph, turn the right adjustment bolt counter-clockwise 1/4 turn at a time (using the supplied Allen wrench). Check the belt alignment. Allow belt to run a full cycle to gauge if more adjustment is needed. Repeat if necessary, until the belt remains centered during use.

- If you find the belt is slipping because it is too loose, center it then tension as needed.
- For easier adjustment bolt access, remove the end caps.

For more information and/or how-to videos, visit our Customer Support section on our website. Contact information is located on the back page of the Owner's Manual.



BELT IS TOO FAR TO THE RIGHT SIDE



BELT IS TOO FAR TO THE LEFT SIDE



## USING THE HEART RATE FUNCTION



Your treadmill could be equipped with either heart rate pulse grips or a thumb pulse sensor. To find out what your model has, refer to the beginning of the ASSEMBLY section of your OWNER'S MANUAL.

The heart rate function on this product is not a medical device. While heart rate grips or a thumb pulse sensor can provide a relative estimation of your actual heart rate, they should not be relied on when accurate readings are necessary. Some people, including those in a cardiac rehab program, may benefit from using an alternate heart rate monitoring system like a chest or wrist strap. Various factors, including movement of the user, may affect the accuracy of your heart rate reading. The heart rate reading is intended only as an exercise aid in determining heart rate trends in general. Please consult your physician.

## PULSE GRIPS

Place the palm of your hands directly on the grip pulse handlebars. Both hands must grip the bars for your heart rate to register. It takes 5 consecutive heart beats (15-20 seconds) for your heart rate to register. When gripping the pulse handlebars, do not grip tightly. Holding the grips tightly may elevate your blood pressure. Keep a loose, cupping hold. You may experience an erratic readout if consistently holding the grip pulse handlebars. Make sure to clean the pulse sensors to ensure proper contact can be maintained.

## THUMB PULSE

Place and hold your thumb LIGHTLY over the thumb sensor. The sensor may not work properly if you press too hard. The sensor window should be completely covered by your finger. Wait for a few seconds, and your heart rate will show in the heart rate window. The thumb sensor can also read a pulse from your index finger.

## CAUTION

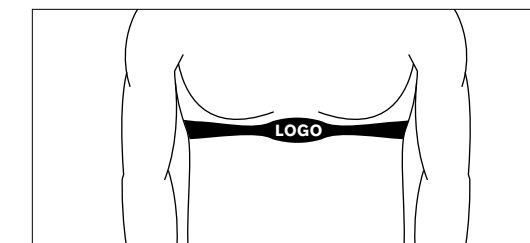
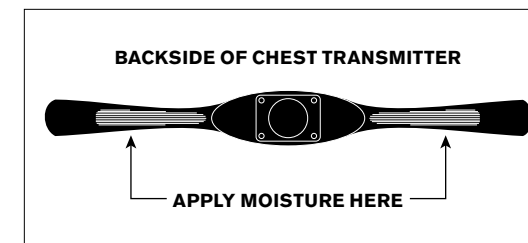
Always stand still on side rails when measuring your heart rate. Checking your heart rate while in motion will cause inaccurate readings. Do not press excessively hard on the sensor as this may cause damage.

## WIRELESS HEART RATE RECEIVER



Some treadmills also include a built-in wireless heart rate receiver. When used in conjunction with a **wireless chest transmitter**, your heart rate can be transmitted wirelessly to the treadmill and displayed on the console. Your treadmill may or may not include a wireless chest transmitter (see the beginning of the ASSEMBLY section of your OWNER'S MANUAL).

Prior to wearing the wireless chest transmitter on your chest, moisten the two rubber electrodes with water. Center the chest strap just below the breast or pectoral muscles, directly over your sternum, with the logo facing out. NOTE: The chest strap must be tight and properly placed to receive an accurate and consistent readout. If the chest strap is too loose, or positioned improperly, you may receive an erratic or inconsistent heart rate readout.



# TROUBLESHOOTING & MAINTENANCE

## COMMON PRODUCT QUESTIONS



### ARE THE SOUNDS MY TREADMILL MAKES NORMAL?

All treadmills make a certain type of thumping noise due to the belt riding over the rollers, especially new treadmills. This noise will diminish over time, although may not totally go away. Over time, the belt will stretch, causing the belt to ride smoother over the rollers.

### WHY IS THE TREADMILL I PURCHASED LOUDER THAN THE ONE AT THE STORE?

All fitness products seem quieter in a large store showroom because there is generally more background noise than in your home. Also, there will be less reverberation on a carpeted concrete floor than on a wood overlay floor. Sometimes a heavy rubber mat will help reduce reverberation through the floor. If a fitness product is placed close to a wall, there will be more reflected noise.

### WHEN SHOULD I BE WORRIED ABOUT A NOISE?

As long as the sounds your treadmill makes are no louder than a normal conversational tone of voice, it is considered normal noise.





## BASIC TROUBLESHOOTING

**PROBLEM:** The console does not light up.

**SOLUTION:** Verify the following:

Does the red light on the ON/OFF switch light up?  
NOTE: Some treadmill models do not have a switch that lights up. If this is the case, please proceed with the yes and no solutions below.

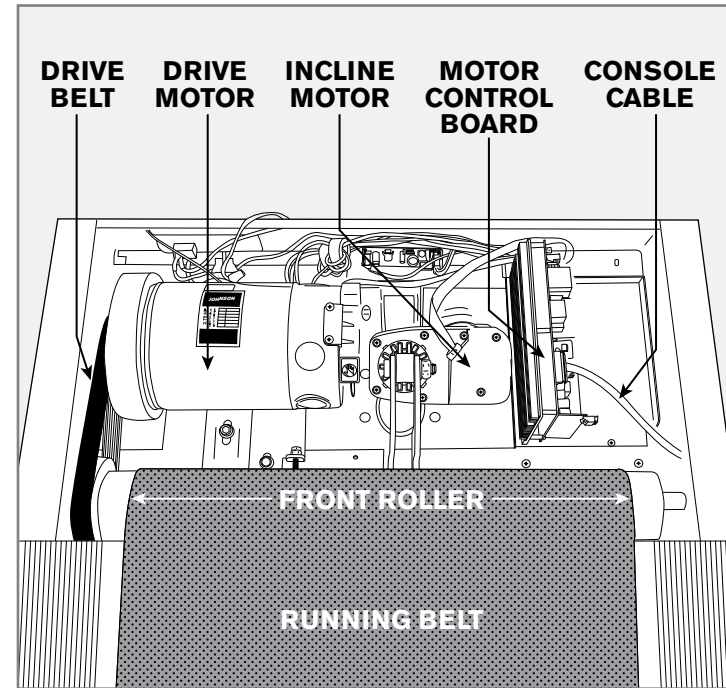
If yes:

- Turn the power off, unplug the power cable and wait 60 seconds. Remove motor cover. Wait until all red LED lights have gone off on the motor control board before proceeding. Next verify that none of the wires connecting to the lower board are loose or disconnected.
- Double check that all connections are secure, especially the console cable. Unplug and reconnect the console cable to verify.
- Make sure the console cable is not pinched or damaged in any way.
- Plug the treadmill in, turn the power switch on and look for any lit LED's on the motor control board.

If no:

- Verify that the outlet the machine is plugged into is functional. Double check that the breaker has not tripped, it is on a dedicated 15-amp circuit, it is not on a GFCI-equipped outlet, and it is not

## UNDERNEATH THE MOTOR COVER



plugged into a power strip/surge protector or extension cord.

- Verify that the power cord is not pinched or damaged and is properly plugged into the outlet AND the machine.
- Verify that the power switch is turned to the ON position.

**PROBLEM:** The console reads SAFETY KEY OFF or only displays dashes.

**SOLUTION:** Verify the following:

- Verify the safety key is securely in place.
- If using a magnetic key, make sure the key's magnetized.

**PROBLEM:** The belt does not move, or moves briefly, but the console works.

**SOLUTION:** Verify the following:

- Make sure you are following the recommendations and power guidelines on pages 4 and 5 of this treadmill guide. The unit should be on a dedicated 15-amp circuit and not on a GFCI-equipped outlet. Do not plug the machine into a power strip/ surge protector or extension cord.
- Check for any belt movement. If so, make note of how far or how long it moves before stopping.
- Try to move the belt by hand. If not, the drive belt may have come off or the motor bearings may have seized.
- Turn the treadmill off and unplug it from the outlet. Remove the plastic motor cover located in front of the machine by taking out the Phillip screws. Check the drive belt for proper alignment.
- With the cover still off, check over the wire and cable connections, as they may have become loose or disconnected during shipping or assembly. Make sure connections are secure and no wires are crimped, damaged, disconnected or burnt.

**PROBLEM:** The incline does not move, won't go down, or does not seem to be at the right level.

**SOLUTION:** Verify the following:

- Make sure you are following the recommendations and power guidelines on pages 4 and 5 of this treadmill guide. The unit should be on a dedicated 15-amp circuit and not on a GFCI-equipped outlet. Do not plug the machine into a power strip/ surge protector or extension cord.
- Make sure the console shows a change on the display when the elevation buttons are pressed.
- Turn the treadmill off and unplug it from the outlet. Verify the console cable connections at the top of the mast are connected securely. Make sure all of the multicolored wires are fully inserted into the cable harness.
- Remove the plastic motor cover located in front of the machine by taking out the Phillip screws. Check over the wire and cable connections, as they may have become loose or disconnected during shipping or assembly. Make sure connections are secure and no wires are crimped, damaged, disconnected or burnt.

**PROBLEM:** No audio comes out of the speakers, but the headphones work.

**SOLUTION:** Verify the following:

- Turn the treadmill off and unplug it from the outlet. Remove the plastic motor cover located in front of the machine by taking out the Phillip screws.
- Check the wire and cable connections to the speaker board, near the motor control board.





**PROBLEM:** The treadmill circuit breaker trips during a workout.

**SOLUTION:** Verify the following:

- Make sure the treadmill is plugged into a dedicated 15-amp circuit.
- Verify that you do not have the machine on an extension cord or surge protector.
- Confirm that the machine is not plugged into a GFCI-equipped outlet or on a circuit that has a GFCI-equipped outlet on it.
- Lubricate treadmill deck if necessary.

**PROBLEM:** The running belt does not stay centered during a workout.

**SOLUTION:** Verify the following:

- Make sure the treadmill is on a level surface.
- Verify that the belt is properly tightened and centered (Refer to the TENSIONING and CENTERING THE RUNNING BELT sections for detailed directions).

YOU MAY FIND MORE TROUBLESHOOTING SUGGESTIONS ON THE CUSTOMER SUPPORT SECTION OF OUR WEBSITE. CONTACT CUSTOMER SUPPORT USING THE CONTACT INFORMATION ON THE BACK PAGE OF THE OWNER'S MANUAL.

**PROBLEM:** Operating speed appears inaccurate.

**SOLUTION:** Auto-calibrate the treadmill:

- Power on the treadmill and have the safety key in position on the console. Press and hold the elevation “+” and speed “-” buttons for approximately 5 seconds to enter the Engineering Mode. The console will beep and “ENG0” appears in the display.
- Press the Speed “+” or “-” button until “ENG2” appears in the display.
- Press, “ENTER” to select. Press, “START” to begin. The treadmill running belt will begin to move automatically and the auto-calibration sequence will properly set and store the speed values.
- Upon successful calibration, the treadmill will beep several times. The console will automatically exit Engineering Mode and return to the start-up screen.

**NOTE:** Some treadmill models do not have auto-calibrate. Turn the treadmill off and disconnect the power cord. Check the console cable for pinches and make sure it is connected properly to both the upper and lower boards.

### **WARNING**

DO NOT stand on running belt while calibrating – stand on the side rails. The treadmill will fluctuate between low and high speeds for several minutes until calibration is complete.

## **TROUBLESHOOTING HEART RATE (GRIP-PULSE ONLY)**

Check your exercise environment for sources of interference such as fluorescent lights, computers, underground fencing, home security systems or appliances containing large motors. These items may cause erratic heart rate readouts.

You may experience an erratic readout under the following conditions:

- Gripping the heart rate handlebars too tight. Try to maintain moderate pressure while holding onto the heart rate handlebars.
- Constant movement and vibration due to constantly holding the heart rate handlebars while exercising. If you are receiving erratic heart rate readouts, try to only hold the grips long enough to monitor your heart rate.
- When you are breathing heavily during a workout.
- When your hands are constricted by wearing a ring.
- When your hands are dry or cold. Try to moisten your palms by rubbing them together to warm.
- Anyone with heavy arrhythmia.
- Anyone with arteriosclerosis or peripheral circulation disorder.
- Anyone whose skin on the measuring palm is especially thick.

If this troubleshooting section does not remedy the problem, discontinue use and turn the power off.

**PLEASE CALL CUSTOMER TECH SUPPORT AT THE NUMBER ON THE BACK PAGE OF THE OWNER'S MANUAL.**

The following information may be asked of you when you call. Please have these items readily available:

- Model Name
- Serial Number
- Proof of Purchase (receipt or credit card statement)

In order for Customer Tech Support to service your treadmill they may need to ask detailed questions about the symptoms that are occurring. Some troubleshooting questions that may be asked are:

- How long has this problem been occurring?
- Does this problem occur with every use? With every user?
- If you are hearing a noise, does it come from the front or the back? What kind of noise is it (thumping, grinding, squeaking, chirping etc.)?
- Has the machine been lubricated and maintained per the maintenance schedule?

Answering these and other questions will give the technicians the ability to send proper replacement parts and the service necessary to get you and your treadmill running again!



## MAINTENANCE

Preventative maintenance is the key to smooth operating equipment, as well as keeping the users liability to a minimum. Equipment needs to be inspected at regular intervals. Defective components must be replaced immediately. Improperly working equipment must be kept out of use until it is repaired. Ensure that any person(s) making adjustments or performing maintenance or repair of any kind is qualified to do so.

### AFTER EACH USE (DAILY)

Clean and inspect, following these steps:

- Turn off the treadmill with the ON/OFF switch, then unplug the power cord at the wall outlet.
- Wipe down the running belt, deck, motor cover, and console casing with a damp cloth. Never use solvents, as they can cause damage to the treadmill.
- Inspect the power cord. If the power cord is damaged, contact Customer Tech Support.
- Make sure the power cord is not underneath the treadmill or in any other area where it can become pinched or cut.
- Check the tension and alignment of the running belt. Make sure that the treadmill belt will not damage any other components on the treadmill by being misaligned.
- If any labels are damaged or illegible, contact Customer Tech Support for replacements.

### EVERY WEEK

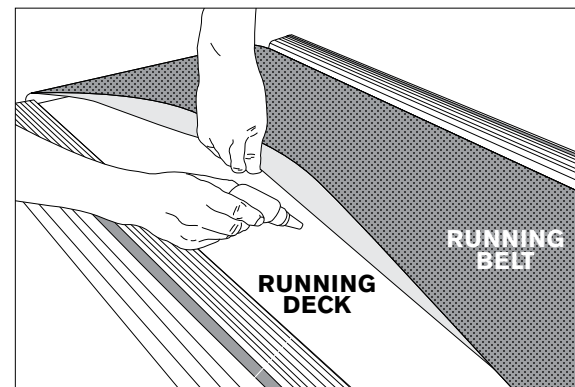
Clean underneath the treadmill, following these steps:

- Turn off the treadmill with the ON/OFF switch, then unplug the power cord at the wall outlet.
- Fold the treadmill into the upright position, making sure that the lock latch is secure.
- Move the treadmill to a remote location.
- Wipe or vacuum any dust particles or other objects that may have accumulated underneath the treadmill.
- Return the treadmill to its previous position.

### EVERY MONTH - IMPORTANT!

- Turn off the treadmill with the ON/OFF switch, then unplug the power cord at the wall outlet. Wait 60 seconds
- Inspect all assembly bolts of the machine for proper tightness.
- Remove the motor cover. Wait until ALL display screens turn off.
- Clean the motor and lower board area to eliminate any lint or dust particles that may have accumulated. Failure to do so may result in premature failure of key electrical components.
- Vacuum and wipe down the belt with a damp cloth. Vacuum any black/white particles that may accumulate around the unit. These particles may accumulate from normal treadmill use.

## LUBRICATING THE RUNNING BELT



### EVERY 6 MONTHS OR 150 MILES

It is necessary to lubricate your treadmill running deck every six months or 150 miles to maintain optimal performance. Once the treadmill records 150 miles it will display the message "LUBE" or "LUBE BELT." The treadmill will not operate while the message is showing. Your treadmill came with a bottle of 100% silicone lubricant, which can be used for two applications. If you need lubricant, contact Customer Tech Support or visit our website. Only use 100% silicone lubricant provided by Customer Tech Support.

Tools Needed:

- Blue-handled T-wrench or Allen wrench
- 100% silicone oil

Procedure:

1. Turn off the treadmill with the on/off switch and unplug the power cord at the wall outlet.
2. Using the T-wrench or Allen wrench, loosen the rear roller bolts 10-15 counter-clockwise turns. This should give the belt enough slack for you to lift it.
3. Lift the belt as far as you can and squirt the silicone oil in a zigzag pattern across the entire running deck surface. Use 1/2 bottle of Horizon Fitness silicone lubricant. Do not apply the silicone oil on top of the running belt. Lay the running belt down and then tighten both rear roller bolts clockwise the same number of turns loosened.
4. After you have applied lubricant, plug in the power cord, and insert the safety key. Reset the Lube Belt message by pressing and holding the speed up arrow and STOP button simultaneously for 5-7 seconds.
5. Stay off of the machine and press START. Allow the belt to run at 3 mph for 3 minutes to begin spreading the silicone. Then walk on the machine at a comfortable speed for 3 minutes to complete spreading the silicone and to check the running belt for proper tension and alignment.
6. Once the belt is centered and tensioned, stop the belt. Wipe any excess oil from the sides with a damp cloth.

Hold stop for 5 seconds to suspend message for 5 miles.

If your treadmill has air shocks under the deck for lift assistance, lubricate the silver air shock tube with Teflon-based spray found at your local hardware or bike store.

Visit the Customer Support section of our website to view "how-to" maintenance videos. Please contact Customer Tech Support with questions about applying lubricant to your treadmill.

# FRANÇAIS

## PRÉCAUTIONS IMPORTANTES



### CONSERVER CES INSTRUCTIONS

Lire le présent GUIDE DU TAPIS ROULANT avant d'utiliser le MANUEL DU PROPRIÉTAIRE. Des précautions de base doivent toujours être prises lors de l'utilisation d'un appareil électrique, notamment : Lire toutes les instructions avant d'utiliser ce tapis roulant. Il incombe au propriétaire de s'assurer que tous les utilisateurs du tapis roulant sont adéquatement informés de tous les avertissements et de toutes les précautions. Pour toute question après la lecture du guide, communiquer avec le service de soutien technique à la clientèle au numéro indiqué au verso du MANUEL DU PROPRIÉTAIRE.



# AVERTISSEMENT

## POUR RÉDUIRE LE RISQUE DE BRÛLURES, D'INCENDIE, DE DÉCHARGE ÉLECTRIQUE OU DE BLESSURE :

- Ne jamais utiliser le tapis roulant sans avoir fixé la pince de la clé de sécurité à l'un de ses vêtements.
- En cas de douleur, quelle qu'elle soit, et notamment de douleurs thoraciques, de nausée, de vertiges ou de manque de souffle, arrêter immédiatement l'exercice et consulter un médecin avant de reprendre.
- Pendant les exercices, toujours maintenir un rythme confortable.
- Ne pas porter de vêtement qui pourrait se prendre dans une pièce du tapis roulant.
- Toujours porter des chaussures de sport lors de l'utilisation de cet équipement.
- Ne pas sauter sur le tapis roulant.
- Sous peine de le faire surchauffer, ce qui pourrait causer un incendie, une décharge électrique ou des blessures, ne pas utiliser l'appareil sous une couverture ou un oreiller.
- Le tapis roulant ne doit jamais porter plus d'une personne lorsqu'il est en fonctionnement.
- Le tapis roulant ne doit pas être utilisé par des personnes dont le poids est supérieur à celui spécifié à la SECTION GARANTIE du MANUEL DU PROPRIÉTAIRE. Le non-respect de cette consigne est cause d'annulation de la garantie.
- Le tapis roulant est destiné à un usage à domicile uniquement. Ne pas utiliser ce tapis roulant dans un environnement commercial, de location, scolaire ou institutionnel. Le non-respect de cette consigne annule la garantie.
- Ne pas utiliser le tapis roulant dans les lieux où la température n'est pas régulée, tels notamment que garages, vérandas, salles de piscine, salles de bains, abris à voitures ou à l'extérieur. Le non-respect de cette consigne peut être cause d'annulation de la garantie.
- Pour éviter toute décharge électrique, ne jamais laisser tomber ni introduire un objet quelconque dans l'une des ouvertures de l'appareil.
- Ne jamais laisser le tapis roulant sans surveillance lorsqu'il est branché. Le débrancher lorsqu'on ne l'utilise pas et avant d'y poser des pièces ou de les en déposer.
- Garder le cordon d'alimentation à l'écart des surfaces chauffées. Ne pas transporter l'appareil en le tenant par son cordon d'alimentation ou se servir du cordon comme d'une poignée.
- Mettre l'appareil hors tension avant de l'entretenir ou de le déplacer. Pour le nettoyer, en essuyer les surfaces avec du savon et un chiffon légèrement humide ; ne jamais utiliser de solvants. (Voir ENTRETIEN).
- Sous peine de blessures, ne pas utiliser d'accessoire non recommandé par le fabricant.
- Sauf avis contraire du service de soutien technique à la clientèle, ne pas enlever les couvercles de console. Ce travail ne doit être exécuté que par un technicien agréé.
- Ne jamais faire fonctionner le tapis roulant dont la prise d'air est obturée. La garder libre, exempte de peluche et de cheveux.
- Ne pas faire fonctionner l'appareil près d'un endroit où l'on pulvérise des produits en aérosol ou l'on administre de l'oxygène.
- N'utiliser le tapis roulant que conformément aux directives énoncées dans le présent guide et dans le manuel du propriétaire.
- En abaissant la plate-forme du tapis roulant, attendez jusqu'à ce que les pieds en arrière soient fermement au sol avant de marcher dessus.



Tenir les enfants de moins de 13 ans de même que les animaux familiers à au moins 3 m (10 pi) du tapis roulant EN TOUT TEMPS.  
 Les enfants de moins de 13 ans ne doivent JAMAIS utiliser le tapis roulant.  
 Les enfants de plus de 13 ans ou les personnes handicapées peuvent utiliser le tapis roulant sous la surveillance d'un adulte.

Il est essentiel de n'utiliser le tapis roulant qu'à l'intérieur, dans une pièce climatisée. Si le tapis roulant a été exposé à des températures basses ou à un climat très humide, il est fortement recommandé de le laisser réchauffer à la température ambiante avant de l'utiliser pour la première fois, pour éviter une défaillance électronique prématurée.

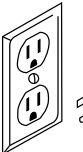
## INSTRUCTIONS DE MISE À LA TERRE

Cet appareil doit être mis à la terre. En cas de dysfonctionnement ou de défaillance du tapis roulant, la mise à la terre assure un trajet de résistance moindre pour le courant électrique et réduit le risque de décharge électrique. Cet appareil est équipé d'un cordon comportant un conducteur et une fiche de mise à la terre. La fiche doit être branchée à une prise murale appropriée, correctement installée et mise à la terre conformément aux codes et règlements locaux.

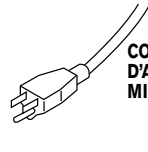
Un branchement incorrect du conducteur de mise à la terre de l'appareil peut entraîner une décharge électrique. Vérifier auprès d'un électricien ou d'un technicien compétent en cas de doute sur la mise à la terre de l'appareil. Ne pas altérer la fiche fournie avec l'appareil. Si elle ne s'adapte pas à la prise murale, faire poser une prise murale appropriée par un électricien compétent.

Cet appareil est conçu pour être utilisé avec une alimentation secteur de 110 V et sa prise de terre ressemble à la prise illustrée. Cet appareil doit être alimenté par un circuit particulier. Pour déterminer si c'est bien le cas, couper l'alimentation et voir si un ou d'autres appareils s'éteignent. Si oui, brancher ces appareils à un autre circuit. Remarque : Un même circuit comporte habituellement plusieurs prises. Ce tapis roulant doit être alimenté en courant d'au moins 15 A.

PRISE MURALE  
À 3 FICHES  
ET MISE À  
LA TERRE



CORDON  
D'ALIMENTATION  
MIS À LA TERRE



## AVERTISSEMENT

Ne brancher cet appareil d'exercice qu'à une prise correctement mise à la terre.  
 Ne jamais faire fonctionner le produit dont un des cordons ou une des prises est endommagé(e), même s'ils fonctionnent correctement. Ne jamais faire fonctionner un produit qui semble endommagé ou a été plongé dans l'eau. Communiquer avec le service de soutien technique à la clientèle pour le faire remplacer ou réparer.



# FONCTIONNEMENT DE BASE



## FÉLICITATIONS D'AVOIR CHOISI CE TAPIS ROULANT.

Vous venez de franchir un pas important dans l'élaboration et l'application d'un programme d'exercice. Ce tapis roulant est un outil extrêmement utile pour atteindre vos objectifs personnels de mise en forme. Une utilisation régulière du tapis roulant peut améliorer votre qualité de vie de bien des façons.

Voici quelques avantages liés à l'exercice physique :

- Perte de poids
- Cœur plus sain
- Plus grande tonicité musculaire
- Niveaux d'énergie supérieurs

L'élément clé permettant de bénéficier de ces avantages est de développer des habitudes d'exercice. Ce nouveau tapis roulant vous aidera à franchir les obstacles auxquels vous pourriez faire face en essayant de faire votre exercice. Les intempéries et la nuit ne vous empêcheront plus de vous entraîner si vous utilisez votre tapis roulant dans le confort de votre maison. Ce guide fournit les renseignements de base pour utiliser et tirer parti de votre nouvel appareil.



## EMPLACEMENT DU TAPIS ROULANT

Placer le tapis roulant sur une surface plane. Un espace de 214 cm derrière le tapis roulant et de 92 cm de chaque côté doit être respecté, ainsi qu'un espace de 31 cm à l'avant pour le pliage et le cordon d'alimentation. Ne pas placer le tapis roulant à un endroit où il bloquerait une quelconque bouche de ventilation ou des ouvertures d'aération. Le tapis roulant ne doit pas être placé dans un garage, un patio couvert, près de l'eau ou à l'extérieur.

## NE PAS SE TENIR DEBOUT SUR LA BANDE

Lorsqu'on se prépare à utiliser le tapis roulant, ne pas se tenir debout sur la bande. Placer les pieds sur les rails latéraux avant de mettre le tapis roulant en marche. Commencer à marcher sur la bande une fois qu'elle défile. Ne jamais mettre le tapis roulant en marche à vitesse rapide ni tenter de sauter dessus.

## UTILISATION DE LA CLÉ DE SÉCURITÉ

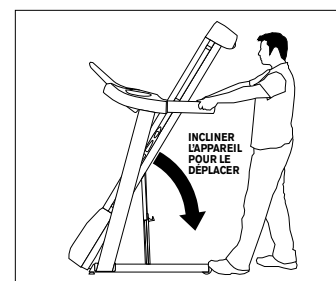
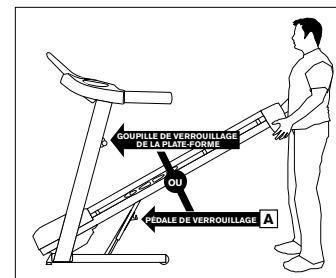
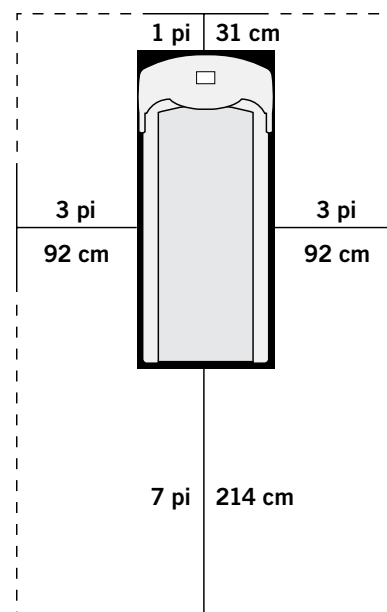
Le tapis roulant ne démarre pas tant que la clé de sécurité n'est pas en place. Fixer l'extrémité de la pince à l'un de ses vêtements. Cette clé est conçue pour couper l'alimentation du tapis roulant en cas de chute de l'utilisateur. S'assurer du bon fonctionnement de la clé de sécurité tous les quinze jours.

### ⚠ AVERTISSEMENT

Ne jamais utiliser le tapis roulant sans fixer la pince de la clé de sécurité à l'un de ses vêtements. Tirer d'abord sur la pince de la clé de sécurité pour qu'elle ne se détache pas du vêtement.

## UTILISATION CORRECTE

Le tapis roulant peut atteindre des vitesses élevées. Toujours commencer en utilisant une vitesse plus lente et régler la vitesse par petits incréments pour atteindre un niveau de vitesse plus élevé. Ne jamais laisser le tapis roulant sans surveillance lorsqu'il fonctionne. Lorsqu'il n'est pas utilisé, retirer la clé de sécurité, mettre l'interrupteur sur arrêt et débrancher le cordon d'alimentation. Pour tirer le meilleur rendement du tapis roulant et en éviter toute défaillance électronique prématurée, veiller à suivre le programme d'ENTRETIEN du présent guide. Maintenir le corps et la tête face à l'avant. Ne pas tenter de se tourner ou de regarder vers l'arrière lorsque le tapis roulant est en marche. Arrêter tout exercice en cas de douleur, de faiblesse, de vertige ou d'essoufflement.



### ⚠ AVERTISSEMENT

Les tapis roulants sont lourds; prendre des précautions et se faire aider si nécessaire lors du déplacement. Ne pas tenter de déplacer ou de transporter le tapis roulant s'il n'est pas en position relevée, plié et verrouillé. Le non-respect de ces instructions peut entraîner des blessures.

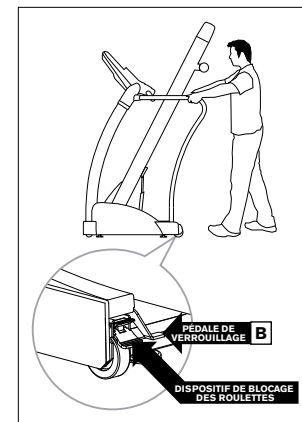
## PLIAGE DU TAPIS ROULANT

Saisir fermement l'extrémité arrière du tapis roulant. Avec précaution, mettre l'extrémité de la plate-forme du tapis à la verticale, jusqu'à ce que la pédale ou la goupille de verrouillage de la plate-forme s'enclenche et verrouille la plate-forme en place. S'assurer que la plate-forme est verrouillée avant de la lâcher. Pour déplier, saisir fermement l'extrémité arrière du tapis roulant. D'un pied, appuyer doucement sur la pédale de verrouillage (A ou B) jusqu'à ce que le verrou se désenclenche ou tirer la goupille de verrouillage pour libérer la plate-forme. Abaisser la plate-forme jusqu'au sol avec précaution.

## DÉPLACEMENT DU TAPIS ROULANT

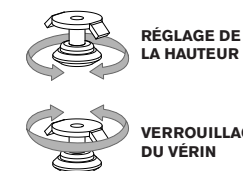
Le tapis roulant comporte deux roulettes de transport\* intégrées au bâti. Pour le déplacement, s'assurer que le tapis roulant est plié et correctement verrouillé. Saisir fermement les poignées, incliner le tapis roulant vers l'arrière et le faire rouler.

\*Certains tapis roulants comportent 4 roulettes permettant de les déplacer et 2 dispositifs de blocage des roulettes qui doivent être desserrés avant tout déplacement du tapis. Pour débloquer les roulettes, appuyer sur le levier supérieur du dispositif de blocage de chaque roulette, aux coins arrière du bâti. Puis, saisir fermement les poignées et déplacer lentement le tapis roulant. Après l'avoir mis à l'endroit voulu, pousser le levier inférieur des dispositifs de blocage des roulettes arrière, pour bloquer les roulettes arrière. REMARQUE : Bloquer les roulettes arrière avant d'utiliser le tapis roulant.



## MISE À NIVEAU DU TAPIS ROULANT

Le tapis roulant doit être à l'horizontale pour pouvoir être utilisé dans les meilleures conditions. Après l'avoir placé là où l'on veut l'utiliser, relever ou abaisser un ou les deux vérins situés au bas du bâti\*. Pour ce faire, il est recommandé d'utiliser un niveau à bulle d'air. Si le tapis roulant n'est pas à l'horizontale, il se peut que la bande ne se déplace pas correctement. Une fois l'appareil à l'horizontale, verrouiller les vérins en serrant les écrous contre le bâti. \*REMARQUE: Certains tapis roulants sont dépourvus de vérins.





## TENSIONNEMENT DE LA BANDE

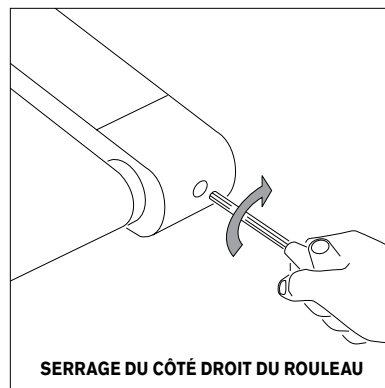
La bande a été correctement réglée avant le départ de l'usine. Il peut arriver que la bande se décentre au cours du transport.

### ATTENTION

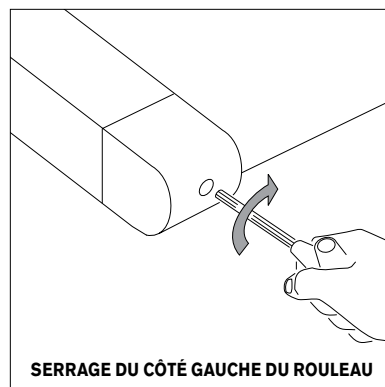
La bande NE doit PAS être en mouvement lors du réglage. Un serrage excessif de la bande use le tapis roulant et ses composants. Ne jamais tendre la bande de façon excessive.

Si la bande semble patiner lors d'un exercice de course sur le tapis, c'est le signe qu'elle doit être retendue. Dans la plupart des cas, il se produit un étirement de la bande à l'usage, d'où un certain patinage. Il s'agit d'un réglage normal et courant. Pour éliminer le patinage, **mettre le tapis roulant hors tension** et resserrer les **deux vis du rouleau arrière** à l'aide de la clé Allen fournie, en tournant les vis de 1/4 de tour vers la droite comme illustré. Essayer le tapis de nouveau pour vérifier si la bande patine encore. Répéter la procédure si nécessaire mais **ne jamais** tourner les vis du rouleau de plus de 1/4 de tour à la fois. La bande est correctement retendue lorsqu'elle ne patine plus.

Pour plus ample information et/ou les vidéos pratiques, visiter la section de soutien à la clientèle de notre site Web. Les informations nécessaires pour atteindre cette section figurent au verso du manuel du propriétaire.



SERRAGE DU CÔTÉ DROIT DU ROULEAU



SERRAGE DU CÔTÉ GAUCHE DU ROULEAU

## CENTRAGE DE LA BANDE

La bande a été correctement réglée avant le départ de l'usine. Il peut arriver que la bande se décentre lors du transport. Avant d'utiliser le tapis roulant, vérifier que la bande est centrée et qu'elle le reste pour assurer un fonctionnement sans à coup.

### ATTENTION

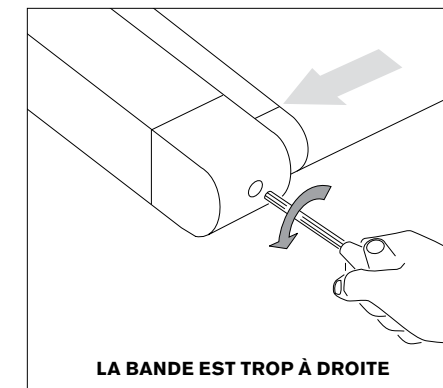
Ne pas faire tourner la bande à plus de 1 mi/h lors du centrage. Toujours garder les doigts, les cheveux et les vêtements à distance de la bande.

**Si la bande est trop à la droite :** Le tapis roulant fonctionnant à 1 mi/h, tourner le boulon de réglage gauche dans le sens antihoraire de 1/4 de tour à la fois (à l'aide de la clé Allen fournie). Vérifier l'alignement de la bande. Laisser la bande fonctionner pendant un cycle complet pour déterminer si un réglage supplémentaire est nécessaire. Répéter au besoin jusqu'à ce que la bande demeure centrée lors de l'utilisation du tapis.

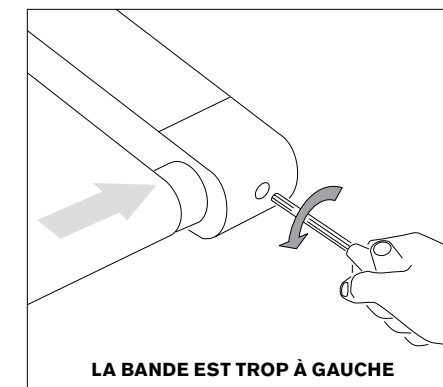
**Si la bande est trop à la gauche :** Le tapis roulant fonctionnant à 1 mi/h, tourner le boulon de réglage droit dans le sens antihoraire de 1/4 de tour à la fois (à l'aide de la clé Allen fournie). Vérifier l'alignement de la bande. Laisser la bande fonctionner pendant un cycle complet pour déterminer si un réglage supplémentaire est nécessaire. Répéter au besoin jusqu'à ce que la bande demeure centrée lors de l'utilisation du tapis.

- Si la bande patine parce qu'elle est détendue, la recentrer et la retendre autant que nécessaire.
- Pour accéder plus facilement aux boulons de réglage, déposer les chapeaux d'extrémité.

Pour plus ample information et/ou les vidéos pratiques, visiter la section de soutien à la clientèle de notre site Web. Les informations nécessaires pour atteindre cette section figurent au verso du manuel du propriétaire.



LA BANDE EST TROP À DROITE



LA BANDE EST TROP À GAUCHE







## UTILISATION DU CARDIO-FRÉQUENCEMÈTRE

Le tapis roulant est équipé soit de poignées de cardio-fréquence-mètre pour la lecture de la fréquence cardiaque soit d'un capteur de fréquence cardiaque commandé au pouce. Pour savoir de quoi est équipé le tapis roulant utilisé, voir le début de la section ASSEMBLAGE dans le MANUEL DU PROPRIÉTAIRE.

Le cardio-fréquence-mètre de cet appareil n'est pas un dispositif médical. Même si les poignées du cardio-fréquence-mètre ou le capteur de fréquence cardiaque commandé au pouce permettent à l'utilisateur d'obtenir des estimations relatives de sa fréquence cardiaque effective, il ne doit pas se fier à ces indications lorsque des lectures précises sont nécessaires. Certaines personnes, notamment celles qui suivent un programme de réadaptation cardiologique, peuvent avoir intérêt à utiliser un autre moyen de surveillance de leur fréquence cardiaque, comme une sangle de poitrine ou de poignet. Divers facteurs, y compris les mouvements de l'utilisateur, peuvent nuire à la précision des lectures de la fréquence cardiaque. La lecture de la fréquence cardiaque n'a pour but que d'aider dans l'exécution des exercices pour déterminer les tendances de la fréquence cardiaque en général. Consulter un médecin.

## POIGNÉES DU CARDIO-FRÉQUENCEMÈTRE

Placer la paume des mains directement sur les poignées du cardio-fréquence-mètre. Saisir les poignées des deux mains est nécessaire à l'enregistrement de la fréquence cardiaque. Cinq battements cardiaques (15 à 20 secondes) sont nécessaires pour enregistrer la fréquence cardiaque. Ne pas trop serrer les poignées. Un serrage excessif risque de faire monter la tension artérielle. Maintenir une légère pression. Les résultats risquent d'être aberrants en cas de maintien prolongé du contact avec les poignées. Veiller à nettoyer les capteurs de fréquence pour assurer le maintien d'un contact correct.

## CAPTEUR DE FRÉQUENCE CARDIAQUE COMMANDÉ AU POUCE

Avec le pouce, appuyer LÉGÈREMENT sur le capteur de fréquence cardiaque et maintenir la pression. Le capteur peut ne pas fonctionner correctement si on exerce une pression excessive. Le pouce doit recouvrir complètement la fenêtre du capteur. Au bout de quelques secondes, la fréquence cardiaque s'affiche dans la fenêtre d'effort cardio-vasculaire. On peut aussi afficher cette fréquence en posant l'index sur le capteur de fréquence cardiaque.

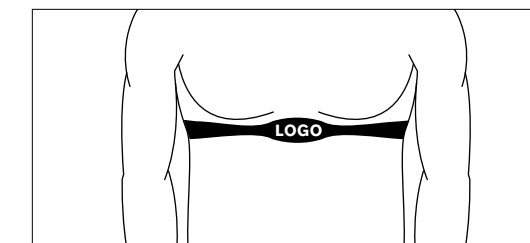
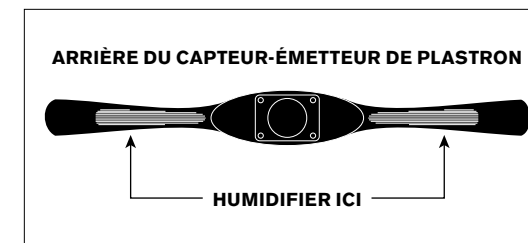
### ATTENTION

Toujours se tenir immobile sur les rails latéraux lorsqu'on mesure sa fréquence cardiaque. Si on vérifie sa fréquence cardiaque alors qu'on est en mouvement, on obtient des lectures inexactes. Sous peine de l'endommager, ne pas appuyer trop fort sur la touche du capteur.

## RÉCEPTEUR DE FRÉQUENCE CARDIAQUE SANS FIL

Certains tapis roulants comportent aussi un récepteur de fréquence cardiaque intégré. Lorsque ce récepteur est utilisé avec un **capteur-émetteur de plastron sans fil**, la fréquence cardiaque peut être transmise sans passer par un fil au tapis roulant et affichée par la console. Le tapis roulant peut comporter un capteur-émetteur de plastron sans fil ou ne pas en comporter (voir le début de la section ASSEMBLAGE dans le MANUEL DU PROPRIÉTAIRE).

Avant de porter le capteur-émetteur de plastron sans fil sur la poitrine, humidifier les deux électrodes caoutchoutées avec de l'eau. Centrer la sangle juste en dessous de la poitrine ou des muscles pectoraux, directement sur le sternum, le logo vers l'extérieur. **REMARQUE:** La sangle de poitrine doit être serrée et correctement placée afin de recevoir des lectures précises et constantes. Si la sangle de poitrine est trop lâche ou mal placée, les lectures de la fréquence cardiaque peuvent être aberrantes ou erratiques.



# DÉPANNAGE ET ENTRETIEN

## QUESTIONS FRÉQUENTES SUR LE PRODUIT



### LES BRUITS ÉMIS PAR CE TAPIS ROULANT SONT-ILS NORMAUX ?

Les tapis roulants émettent un bruit sourd dû au passage de la bande sur les rouleaux, en particulier lorsque l'appareil est neuf. Ce bruit diminue d'intensité à la longue, quoiqu'il ne disparaisse jamais complètement. À l'usage, la bande s'étire et son passage sur les rouleaux s'effectue avec plus de douceur.

### POURQUOI LE TAPIS ROULANT LIVRÉ EST-IL PLUS BRUYANT QUE CELUI EN MAGASIN ?

Les appareils de conditionnement physique semblent toujours être plus silencieux dans une grande salle d'exposition parce qu'en général le bruit de fond y est plus élevé que chez soi. La réverbération du bruit est également moindre sur un sol en béton recouvert d'une moquette que sur un parquet. Un tapis épais en caoutchouc peut aider à minimiser la réverbération du bruit dans la pièce. De même, la réflexion du bruit est plus importante si l'appareil est placé près d'un mur.

### DANS QUELLES CIRCONSTANCES FAUT-IL S'INQUIÉTER DU BRUIT ?

Pour autant que le tapis roulant livré ne soit pas plus bruyant que le bruit d'une conversation normale, le bruit émis par l'appareil est considéré comme normal.

## DÉPANNAGE DE BASE

**PROBLÈME :** La console ne s'allume pas.

**SOLUTION :** Vérifier les points suivants :

Le témoin rouge de l'interrupteur marche/arrêt s'allume-t-il ? **REMARQUE :** Certains modèles de tapis roulants sont dépourvus d'interrupteur à témoin qui s'allume. Si tel est le cas, voir les OUI et NON ci-dessous.

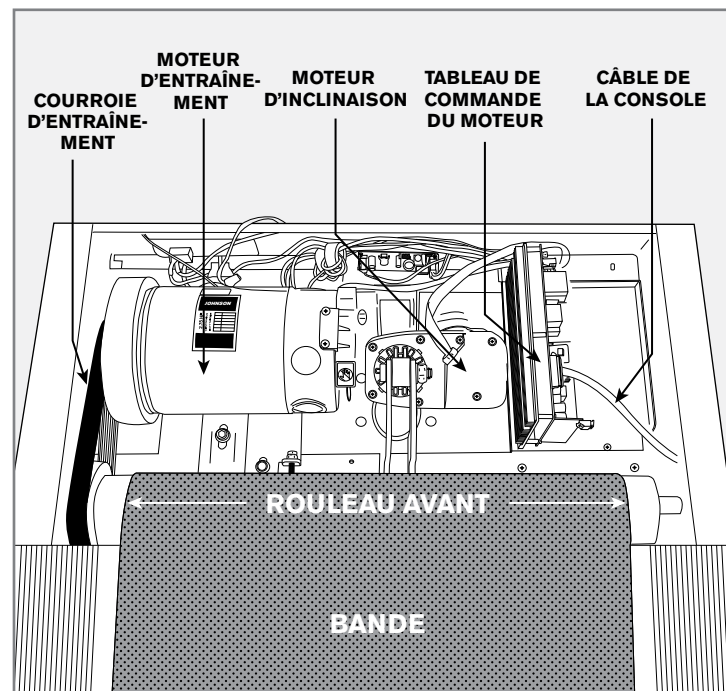
Si OUI :

- Mettre l'appareil hors tension, débrancher le câble d'alimentation et attendre 60 secondes. Déposer le couvercle du moteur. Attendre que tous les témoins à DEL rouge du tableau de commande du moteur se soient éteints avant de continuer. Puis vérifier qu'aucun câble aboutissant au panneau électrique inférieur n'est desserré ou déconnecté.
- S'assurer que toutes les connexions sont établies, particulièrement celle du câble de la console. Débrancher et reconnecter le câble de la console pour le vérifier.
- S'assurer que le câble de la console n'est pas pincé ou endommagé de quelque manière que ce soit.
- Enficher le tapis roulant, mettre l'interrupteur de marche/arrêt sur ON et rechercher toute DEL allumée sur le tableau de commande du moteur.

Si NON :

- Vérifier que la prise assignée à la machine est opérationnelle. Vérifier que le coupe-circuit ne s'est pas déclenché, que l'appareil est sur un circuit spécialisé de 15 A, qu'il n'est pas sur une prise équipée d'un disjoncteur de fuite de terre et qu'il n'est pas branché sur une plaquette multiprises/un limiteur de surtension ou une rallonge électrique.

## SOUS LE COUVERCLE DU MOTEUR



- S'assurer que le cordon d'alimentation n'est pas pincé ou endommagé et qu'il est correctement branché à la prise ET à la machine.
- S'assurer que l'interrupteur est sur ON (marche).

**PROBLÈME :** La console affiche « SAFETY KEY OFF » (CLÉ DE SÉCURITÉ ABSENTE) ou n'affiche que des tirets.

**SOLUTION :** Vérifier les points suivants :

- S'assurer que la clé de sécurité est bien insérée.
- Si on utilise une clé magnétique, s'assurer qu'elle est effectivement magnétisée.

**PROBLÈME :** La bande ne se déplace pas, ou ne se déplace que brièvement, mais la console fonctionne.

**SOLUTION :** Vérifier les points suivants :

- Veiller à se conformer aux recommandations et aux directives d'ordre électrique énoncées aux pages 4 et 5 du présent guide. L'appareil doit être sur un circuit spécialisé de 15 A et non sur une prise équipée d'un disjoncteur de fuite de terre. Ne pas brancher la machine sur une plaquette multiprises/un limiteur de surtension ou une rallonge électrique.
- Détecter tout déplacement de la bande. Si la bande se déplace, noter dans quelle mesure et pendant combien de temps elle le fait avant de s'immobiliser.
- Essayer de déplacer manuellement la bande. Si ce n'est pas possible, il se peut que la courroie d'entraînement soit grippés.
- Mettre le tapis roulant hors tension et le débrancher de la prise. Déposer le couvercle du moteur en plastique qui se trouve à l'avant de la machine en retirant les vis à tête cruciforme. Vérifier l'alignement de la courroie d'entraînement.
- Couvercle toujours déposé, vérifier la connexion des fils et des câbles, car elle peut s'être desserrée ou avoir été brisée pendant le transport ou lors de l'assemblage. S'assurer que les connexions sont solides et qu'aucun fil n'est vrillé, endommagé, débranché ou brûlé.

**PROBLÈME :** L'inclinaison ne change pas, ne diminue pas, ou ne semble pas être adéquate.

**SOLUTION :** Vérifier les points suivants :

- Veiller à se conformer aux recommandations et aux directives d'ordre électrique énoncées aux pages 4 et 5 du présent guide. L'appareil doit être sur un circuit spécialisé de 15 A et non sur une prise équipée d'un disjoncteur de fuite de terre. Ne pas brancher la machine sur une plaquette multiprises/un limiteur de surtension ou une rallonge électrique.
- S'assurer que l'affichage de la console change lorsqu'on actionne les touches de réglage de l'inclinaison.
- Arrêter le tapis roulant et le débrancher de la prise d'alimentation. Vérifier la solidité des branchements du câble de la console au sommet du montant. S'assurer que tous les fils multicolores sont complètement intégrés au faisceau de fils.
- Déposer le couvercle du moteur en plastique qui se trouve à l'avant de la machine en retirant les vis à tête cruciforme. Vérifier la connexion des fils et des câbles, car elle peut s'être desserrée ou avoir été brisée pendant le transport ou lors de l'assemblage. S'assurer que les connexions sont solides et qu'aucun fil n'est vrillé, endommagé, débranché ou brûlé.

**PROBLÈME :** Aucun son ne sort des haut-parleurs, mais le casque d'écoute fonctionne.

**SOLUTION :** Vérifier les points suivants :

- Arrêter le tapis roulant et le débrancher de la prise d'alimentation. Déposer le couvercle du moteur en plastique qui se trouve à l'avant de la machine en retirant les vis à tête cruciforme.
- Vérifier le branchement des fils et des câbles au tableau des haut-parleurs, près du tableau de commande du moteur.



**PROBLÈME :** Le coupe-circuit du tapis roulant se déclenche lors d'un exercice.

**SOLUTION :** Vérifier les points suivants :

- S'assurer que le tapis roulant est branché sur un circuit spécialisé de 15 A.
- Vérifier que la machine n'est pas branchée sur une rallonge électrique ou sur un limiteur de surtension.
- Confirmer que la machine n'est pas branchée sur une prise équipée d'un disjoncteur de fuite de terre ou sur un circuit équipé d'une prise avec disjoncteur de fuite de terre.
- Lubrifier la plate-forme si nécessaire.

**PROBLÈME :** La bande ne reste pas centrée durant une séance d'entraînement.

**SOLUTION :** Vérifier les points suivants :

- S'assurer que le tapis roulant repose sur une surface plane.
- Vérifier que la bande est correctement tendue et centrée (Consulter les sections TENSIONNEMENT et CENTRAGE DE LA BANDE pour des instructions détaillées).

POUR PLUS DE SUGGESTIONS DE DÉPANNAGE, CONSULTEZ LA SECTION DE SOUTIEN À LA CLIENTÈLE DE NOTRE SITE WEB. LES INFORMATIONS NÉCESSAIRES POUR ATTEINDRE CETTE SECTION FIGURENT AU VERSO DU MANUEL DU PROPRIÉTAIRE.

**PROBLÈME :** La vitesse de fonctionnement semble incorrecte.

**SOLUTION :** Auto-étalonner le tapis roulant :

- Mettre le tapis roulant sous tension et mettre la clé de sécurité à sa place dans la console. Appuyer sur les touches d'augmentation de l'inclinaison INCLINE + et de réduction de la vitesse SPEED – et les tenir pendant environ 5 secondes pour passer en mode de réglage mécanique. La console émet un bip et « ENG0 » s'affiche.
- Appuyer sur la touche d'augmentation ou de réduction de la vitesse SPEED + / – jusqu'à ce que « ENG2 » s'affiche.
- Appuyer sur la touche ENTER pour sélectionner. Appuyer sur la touche START pour commencer. La bande du tapis roulant se met en mouvement automatiquement, et la séquence d'auto-étalonnage fixe et enregistre adéquatement les valeurs de la vitesse.
- Une fois l'étalonnage réussi, la console du tapis roulant émet plusieurs bips. Elle quitte automatiquement le mode de réglage mécanique et repasse à l'écran de démarrage.

**REMARQUE :** Certains modèles de tapis roulants sont dépourvus d'auto-étalonnage. Mettre le tapis hors tension et en débrancher le cordon d'alimentation. S'assurer que le câble de la console n'est pas pincé et qu'il est correctement connecté tant au panneau électrique supérieur qu'inférieur.

### AVERTISSEMENT

NE PAS se tenir sur la bande pendant l'étalonnage – se tenir sur les rails latéraux. La vitesse du tapis roulant varie alternativement de basse à haute pendant plusieurs minutes jusqu'à ce que l'étalonnage soit terminé.

## DÉPANNAGE DU CARDIO-FRÉQUENCEMÈTRE

### (MODÈLES AVEC POIGNÉES DU CARDIO-FRÉQUENCEMÈTRE UNIQUEMENT)

Vérifier l'environnement immédiat de la machine pour déceler la présence éventuelle de sources d'interférence telles que des lampes fluorescentes, ordinateurs, clôtures souterraines, circuits de sécurité résidentielle, ou appareils munis de gros moteurs. Ces articles peuvent être cause de lectures aberrantes de la fréquence cardiaque.

Une lecture aberrante peut se produire dans les cas suivants :

- Pression excessive sur les poignées du cardio-fréquencemètre. Exercer une pression modérée sur ces poignées.
- Vibrations et mouvements constants dus au maintien constant des mains sur les poignées du cardio-fréquencemètre. En cas d'obtention de lectures aberrantes de la fréquence cardiaque, ne saisir les poignées que pendant un laps de temps suffisant à la capture de la fréquence cardiaque par le moniteur.
- Halètements lors d'un exercice.
- Port d'une bague trop serrée.
- Mains sèches ou froides. Essayer d'humidifier et de réchauffer les paumes en les frottant l'une contre l'autre.
- Symptômes d'arythmie aiguë.
- Symptômes d'artériosclérose ou de troubles du flux sanguin périphérique.
- Peau des paumes particulièrement épaisse.

Si le problème persiste malgré les conseils de dépannage susmentionnés, arrêter d'utiliser la machine et la débrancher.

### APPELER LE SERVICE DE SOUTIEN TECHNIQUE À LA CLIENTÈLE AU NUMÉRO INDIQUÉ AU VERSO DU MANUEL DU PROPRIÉTAIRE.

Les informations suivantes peuvent être demandées lors de l'appel téléphonique. Avoir ces informations disponibles :

- Désignation du modèle
- Numéro de série
- Preuve d'achat (reçu ou relevé de carte de crédit)

Afin d'entretenir le tapis roulant, le service de soutien technique à la clientèle peut poser des questions précises sur les symptômes. Quelques questions de dépannage susceptibles d'être posées sont :

- Depuis combien de temps le problème se produit-il ?
- Est-ce que ce problème survient à chaque utilisation ? Avec chaque utilisateur ?
- Si un bruit est perçu, provient-il de l'avant ou de l'arrière ? De quel genre de bruit s'agit-il (bourdonnement, grincement, couinement, bruit strident, etc.) ?
- La machine a-t-elle été lubrifiée et entretenue selon le calendrier d'entretien ?

Les réponses à ces questions et à d'autres permettent aux techniciens d'envoyer les pièces de rechange adéquates et de mobiliser les services d'entretien nécessaires à la réparation du tapis roulant.



## ENTRETIEN

L'entretien préventif est la clé pour maintenir l'équipement en ordre de marche, ainsi que réduire au minimum la responsabilité des utilisateurs. Inspecter l'équipement à intervalles réguliers. Remplacer immédiatement les composants défectueux. Ne pas utiliser l'équipement qui fonctionne mal, jusqu'à ce qu'il soit réparé. S'assurer que toute personne qui procède aux réglages, à l'entretien ou à des réparations de quelque nature que ce soit est qualifiée pour le faire.

### APRÈS CHAQUE USAGE (QUOTIDIENNEMENT)

Nettoyer et inspecter en exécutant les étapes suivantes :

- Mettre le tapis roulant hors tension à l'aide du bouton de marche/arrêt et débrancher le cordon d'alimentation de la prise murale.
- Essuyer la bande, la plate-forme, le couvercle du moteur et le boîtier de la console avec un chiffon humide. Ne jamais utiliser de solvants qui pourraient endommager le tapis roulant.
- Inspecter le cordon d'alimentation. Communiquer avec le service de soutien technique à la clientèle si le cordon d'alimentation est endommagé.
- S'assurer que le cordon d'alimentation ne se trouve pas sous le tapis roulant ou à tout autre endroit où il risquerait d'être pincé voire sectionné.
- Vérifier la tension et l'alignement de la bande. Un alignement incorrect de la bande risque d'endommager d'autres pièces du tapis roulant.
- Si certaines des étiquettes de l'appareil sont endommagées ou illisibles, communiquer avec le service de soutien technique à la clientèle pour les faire remplacer.

### CHAQUE SEMAINE

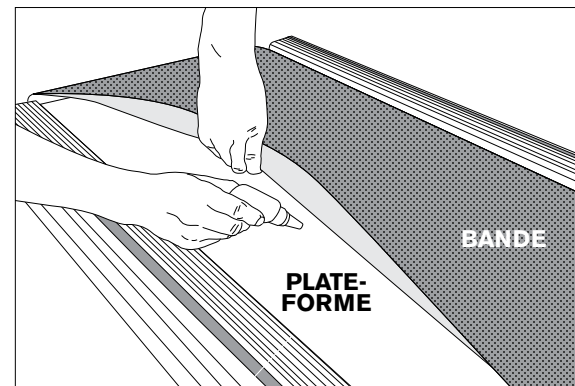
Nettoyer en dessous du tapis roulant en exécutant les étapes suivantes :

- Mettre le tapis roulant hors tension à l'aide du bouton de marche/arrêt puis débrancher le cordon d'alimentation de la prise murale.
- Plier le tapis roulant en position verticale et s'assurer que la pédale ou la goupille de verrouillage est bien enclenchée.
- Écarter le tapis roulant de l'aire de nettoyage.
- Essuyer ou enlever à l'aspirateur les poussières et autres salissures qui ont pu s'accumuler sous le tapis roulant.
- Remettre le tapis roulant dans sa position initiale.

### CHAQUE MOIS – IMPORTANT !

- Mettre le tapis roulant hors tension à l'aide du bouton de marche/arrêt puis, débrancher le cordon d'alimentation de la prise murale. Attendre 60 secondes.
- Inspecter les vis de montage de la machine et vérifier leur serrage.
- Enlever le couvercle du moteur. Attendre que TOUS les écrans d'affichage s'éteignent.
- Nettoyer le moteur et la zone du panneau électrique inférieur pour éliminer les peluches et les poussières qui ont pu s'y accumuler. Le non-respect de ces instructions risque d'entraîner la défaillance prématurée de composants électriques clés.
- Passer la bande à l'aspirateur et l'essuyer avec un chiffon humide. Aspirer toutes les particules blanches/noires qui ont pu s'accumuler autour de l'appareil. Ces particules peuvent provenir de l'utilisation normale du tapis roulant.

## LUBRICATION DE LA BANDE



### TOUS LES SIX MOIS OU TOUS LES 150 MILLES

Il est nécessaire de lubrifier la plate-forme du tapis roulant tous les six mois ou tous les 150 milles pour lui conserver son rendement optimal. Lorsque le tapis roulant atteint 150 milles, il affiche le message « LUBE » ou « LUBE BELT ». Le tapis roulant ne fonctionne pas tant que ce message est affiché. Le tapis roulant est livré avec une bouteille de lubrifiant au silicone 100 %, suffisante pour deux applications. Pour se procurer du lubrifiant, communiquer avec le service de soutien technique à la clientèle ou visiter notre site Web. N'utiliser que le lubrifiant au silicone 100 % fourni par le service de soutien technique à la clientèle.

Outils nécessaires :

- Clé à manche en T bleu ou clé hexagonale
- Huile silicone 100 %

Marche à suivre :

1. Mettre le tapis roulant hors tension à l'aide de l'interrupteur marche/arrêt et débrancher le cordon d'alimentation de la prise murale.
2. À l'aide de la clé à manche en T ou de la clé hexagonale, desserrer les boulons des rouleaux arrière en les tournant de 10 à 15 tours dans le sens antihoraire. Cela devrait donner assez de mou à la bande pour permettre de la soulever.
3. Soulever la bande autant que possible et projeter l'huile silicone en zigzags sur toute la surface de la plate-forme. Utiliser 1/2 bouteille de lubrifiant au silicone de Horizon Fitness. Ne pas appliquer l'huile sur la bande. Reposer la bande, puis serrer les deux boulons du rouleau arrière en les tournant dans le sens horaire du même nombre de tours qu'on les a desserrés.
4. Après avoir appliqué le lubrifiant, enficher le cordon d'alimentation, et insérer la clé de sécurité. Réinitialiser le message « LUBE BELT » en appuyant simultanément sur la touche fléchée d'augmentation de la vitesse et sur la touche STOP et en les tenant pendant 5 à 7 secondes.
5. Descendre de la machine et appuyer sur la touche START. Laisser la bande fonctionner à 3 mi/h pendant 3 minutes pour commencer à répandre le silicone. Puis marcher sur la machine à une vitesse confortable pendant 3 minutes pour achever la distribution du silicone et vérifier que la tension et l'alignement de la bande est satisfaisant.
6. Une fois la bande centrée et tendue, l'arrêter. Essuyer l'excès d'huile sur les côtés avec un chiffon humide.

Appuyer sur la touche STOP et la tenir pendant 5 secondes pour suspendre l'affichage du message pendant 5 milles.

Si le tapis roulant comporte des amortisseurs pneumatiques sous la plate-forme pour en faciliter le levage, lubrifier le tube d'amortisseur pneumatique argenté par vaporisation d'un produit à base de Téflon, en vente dans les quincailleries ou les magasins d'articles pour cyclistes.

Visiter la section de soutien à la clientèle de notre site Web pour visualiser les vidéos pratiques d'entretien. Pour toute question relative à la lubrification du tapis roulant, communiquer avec le service de soutien technique à la clientèle.

# ESPAÑOL

## PRECAUCIONES IMPORTANTES



### **GUARDE ESTAS INSTRUCCIONES**

Lea esta GUÍA DE LA CAMINADORA antes de usar el MANUAL DEL PROPIETARIO. Cuando se utiliza un aparato eléctrico se deben tomar ciertas precauciones básicas entre las que se incluyen: Leer todas las instrucciones antes de usar esta caminadora. Es responsabilidad del propietario asegurar que todos los usuarios de esta caminadora estén bien informados de todas las advertencias y precauciones. Si tiene alguna pregunta después de leer este manual, póngase en contacto con el servicio de asistencia técnica a clientes al número que aparece en la contraportada del MANUAL DEL PROPIETARIO.



## ⚠️ ADVERTENCIA

### A FIN DE ELIMINAR EL RIESGO DE QUEMADURAS, INCENDIOS, DESCARGAS ELÉCTRICAS O LESIONES A PERSONAS:

- Nunca use la caminadora sin antes sujetar la cuerda con broche a su ropa.
- Si siente cualquier tipo de dolor que incluya, pero que no necesariamente se limite a, molestias en el pecho, náusea, mareos o falta de aliento, deje de hacer ejercicio de inmediato y consulte a su médico antes de continuar.
- Al hacer ejercicio siempre mantenga un paso cómodo.
- No use ropa que pudiera atorarse en alguna pieza de la caminadora.
- Siempre use zapatos para deporte cuando use este equipo.
- No salte en la caminadora.
- No la use bajo una manta o una almohada. Podría producirse calor excesivo que podría ocasionar un incendio, una descarga eléctrica, o lesiones a personas.
- En ningún momento debe haber más de una persona en la caminadora cuando ésta se encuentre en movimiento.
- La caminadora no debe ser usada por personas que pesen más de lo especificado en la SECCIÓN DE GARANTÍA DEL MANUAL DEL PROPIETARIO. Si no se cumple con esta advertencia, se anula la garantía.
- Esta caminadora está diseñada solamente para uso en el hogar. No utilice esta caminadora en un comercio, en alquiler, escuela o institución. Si no se cumple con esta advertencia, se anula la garantía.
- No utilice la caminadora en ningún lugar que no tenga la temperatura controlada como, pero sin limitarse a, garages, porches, piscinas interiores, baños, cocheras o al aire libre. Si no se cumple con esta advertencia, se anula la garantía.
- Para evitar las descargas eléctricas, nunca deje caer ni introduzca ningún objeto en ninguna abertura.
- La caminadora nunca se debe dejar desatendida cuando esté conectada. Desconéctela del tomacorriente cuando no esté en uso y antes de ponerle o quitarle piezas.
- No acerque el cable a superficies calientes. No mueva esta unidad por medio de su cable de corriente eléctrica ni use el cable como empuñadura.
- Desconecte la corriente antes de darle servicio al equipo o moverlo. Para limpiar el equipo sólo use un paño humedecido en agua con jabón, nunca use solventes (vea MANTENIMIENTO).
- No use accesorios que no recomiende el fabricante. Los accesorios podrían causar lesiones.
- No retire las cubiertas de la consola a menos que lo indique así el servicio de asistencia técnica a clientes. El servicio sólo lo debe dar un técnico autorizado.
- Nunca use la caminadora si está bloqueada la abertura de los conductos de aire. Mantenga la abertura de los conductos de aire limpia, sin pelusa, ni cabello.
- No use la caminadora donde se estén utilizando productos en aerosol (sprays), o si se está administrando oxígeno.
- Use la caminadora sólo como se describe en la guía de la caminadora y en el manual del propietario.
- Al bajar la plataforma de correr, espere hasta que las patas traseras están seguramente en el suelo antes de trasladarse a la caminadora.



En NINGÚN momento deben acercarse a menos de 3 metros (10 pies) de la caminadora niños menores de 13 años de edad o mascotas.  
 En NINGÚN momento deben usar la caminadora niños menores de 13 años de edad.  
 Los niños mayores de 13 años de edad o personas discapacitadas no deben utilizar la caminadora sin supervisión de algún adulto.

Es esencial que sólo utilice su caminadora en interiores, en habitaciones con clima controlado. Si su caminadora ha estado expuesta a temperaturas más bajas o a humedad más alta que las de la habitación en que la se va a utilizar, le recomendamos dejarla llegar a la temperatura ambiente antes de usarla. Si no lo hace, el sistema electrónico podría fallar prematuramente.

### INSTRUCCIONES DE CONEXIÓN A TIERRA

Es necesario conectar a tierra este aparato. Si su caminadora llegara a tener alguna falla o si se llegara a descomponer, la conexión a tierra proporciona una ruta de menor resistencia a la corriente eléctrica para reducir el riesgo de que se produzca una descarga eléctrica. Este aparato está equipado con un cable que tiene un conductor de conexión a tierra y un enchufe con conexión a tierra. El enchufe debe conectarse en un tomacorriente apropiado, que debe estar bien instalado y conectado a tierra de acuerdo a los códigos y reglamentos locales.

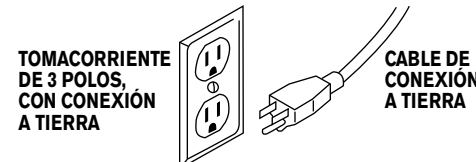
Si el conductor de conexión a tierra no está bien conectado puede ocasionar el riesgo de que se produzca una descarga eléctrica. Llame a un electricista o instalador capacitado si tiene dudas acerca de la conexión a tierra de este aparato. No modifique el enchufe original del aparato. Si el enchufe no entra en el tomacorriente, haga que un electricista capacitado instale un tomacorriente adecuado.

Este producto debe ser utilizado en un circuito con régimen de 110-voltios con un enchufe de conexión a tierra que se parezca al de la ilustración. Este producto debe ser utilizado en un circuito eléctrico dedicado. Para determinar si el aparato está conectado en un circuito dedicado, corte la corriente a dicho circuito y observe si también se corta la corriente a otros aparatos. De ser así, mueva esos aparatos a otro circuito. **NOTA:** Normalmente los circuitos tienen varios tomacorrientes. Esta caminadora debe conectarse a un circuito de un mínimo de 15 amperios.

### ⚠️ ADVERTENCIA

Conecte este aparato para hacer ejercicio solamente a un tomacorriente con conexión a tierra.

Nunca use este aparato si el cable de corriente o el enchufe está dañado, incluso si el aparato en sí está funcionando bien. Nunca use ningún aparato que parezca estar dañado o que haya estado sumergido en agua. Comuníquese con el servicio de asistencia técnica a clientes para que sea reemplazado o reparado.



# FUNCIONAMIENTO BÁSICO



## ¡FELICITACIONES POR HABER ELEGIDO ESTA CAMINADORA!

Ha dado un paso importante para iniciar y mantener un programa de ejercicio. Su caminadora es una herramienta tremendamente efectiva para llegar a sus metas de salud física personal. Si usa regularmente su caminadora puede mejorar la calidad de su vida de muchas distintas formas.

Éstos son sólo algunos de los beneficios a la salud que produce el ejercicio:

- Control de peso
- Salud cardíaca
- Mejor tono muscular
- Más energía

La clave para obtener estos beneficios es desarrollar el hábito de hacer ejercicio. Su nueva caminadora le ayudará a eliminar obstáculos que evitan que usted haga ejercicio. El mal tiempo y la oscuridad de la noche no pueden interferir con sus sesiones de ejercicio si usa su caminadora en la comodidad de su hogar. En esta guía se presenta información básica para usar y disfrutar de su nueva máquina.





## DÓNDE COLOCAR SU CAMINADORA

Coloque la caminadora sobre una superficie nivelada. Debe haber aproximadamente 214 cm de espacio libre detrás de la caminadora, 92 cm a cada lado y 31 cm enfrente para el cable eléctrico y para levantar la plataforma. No coloque la caminadora en ninguna parte en donde pudiera bloquear ventilas o conductos de aire. La caminadora no debe colocarse en un garage, un patio cubierto, cerca de agua o al aire libre.

## NO SE PARE SOBRE LA BANDA

No se pare sobre la banda mientras se prepara para usar la caminadora. Coloque los pies en los rieles laterales antes de poner a funcionar la caminadora. Comience a caminar sobre la banda sólo después de que ésta se haya comenzado a mover. ¡Nunca arranque la caminadora a alta velocidad ni intente saltar a la banda para comenzar!

## USO DE LA LLAVE DE SEGURIDAD

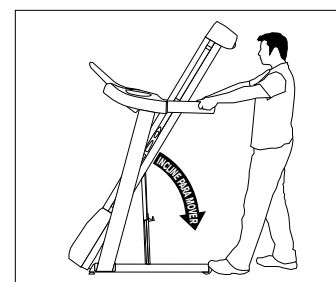
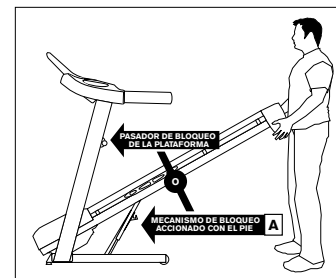
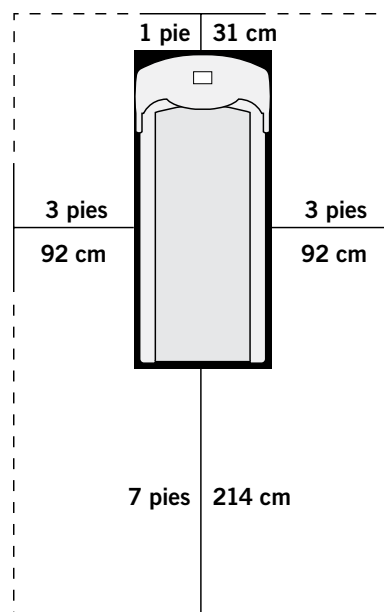
Su caminadora no arranca si la llave de seguridad no está en su lugar. Sujete en su ropa el extremo que tiene un broche. Esta llave de seguridad está diseñada para interrumpir la corriente a la caminadora si usted llegara a caerse. Cada 2 semanas revise si la llave de seguridad está funcionando bien.

## ⚠️ ADVERTENCIA

Nunca use la caminadora sin antes sujetar el broche de la llave de seguridad en su ropa. Asegúrese de que el broche de la llave de seguridad no se suelte de su ropa.

## USO CORRECTO

Su caminadora puede funcionar a altas velocidades. Siempre comience a baja velocidad y aumentela en pequeños incrementos hasta llegar a la velocidad deseada. Nunca deje la caminadora sin atención mientras esté funcionando. Cuando no la esté usando, saque la llave de seguridad, coloque el interruptor de encendido y apagado en la posición de apagado (Off) y desconecte el cable de corriente. Asegúrese de cumplir con el programa de MANTENIMIENTO que se indica en esta guía para que este aparato siga funcionando de manera óptima, y evitar que el sistema electrónico falle prematuramente. Siempre que use la caminadora, esté de pie y vea de frente. No intente darse la vuelta ni ver hacia atrás mientras la caminadora esté funcionando. Deje de hacer ejercicio de inmediato si siente dolor, desmayo, mareo o si le falta el aliento.



## ⚠️ ADVERTENCIA

Nuestras caminadoras son pesadas. Tenga cuidado y pida la ayuda de otra persona para moverla. No intente mover ni transportar la caminadora a menos de que tenga la plataforma vertical, con el mecanismo de bloqueo bien fijo en la posición de cerrado. Si no cumple con estas instrucciones podría sufrir lesiones.

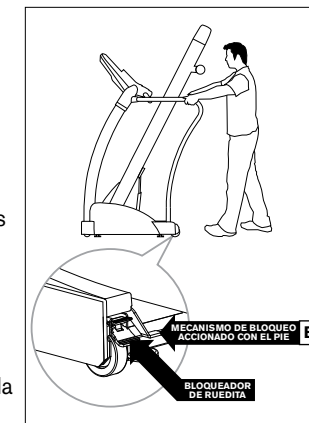
## PARA LEVANTAR LA CAMINADORA

Sostenga con firmeza el extremo posterior de la caminadora. Con cuidado levante este extremo de la plataforma a la posición vertical hasta que se enganche el mecanismo de bloqueo accionado con el pie o que se atore el pasador de bloqueo y fije la plataforma en su lugar. Asegúrese de que la plataforma esté bien enganchada antes de soltarla. Para bajar la plataforma, sostenga con firmeza el extremo posterior de la caminadora. Oprima suavemente hacia abajo el mecanismo de bloqueo con el pie (A o B) hasta que se suelte el mecanismo de bloqueo o jale el pasador de bloqueo de la plataforma para soltar la plataforma. Baje con cuidado la plataforma hacia el piso.

## PARA MOVER LA CAMINADORA

Su caminadora tiene 2 rueditas de transporte\* incorporadas en el bastidor. Para mover la caminadora, asegúrese de haber levantado la plataforma y de que el mecanismo de bloqueo esté bien enganchado. Luego sostenga con firmeza los sujetamanos, incline la caminadora hacia atrás y muévela.

\*Algunas caminadoras tienen 4 rueditas de transporte y 2 bloqueadores de rueditas que deben ser soltados antes de poderlas mover. Para desbloquear las rueditas, empuje hacia abajo la palanquita superior de los bloqueadores de las rueditas posteriores que están en las esquinas posteriores de la base del bastidor. Luego sostenga con firmeza los sujetamanos y mueva lentamente la caminadora. Una vez que la haya colocado en el lugar previsto, empuje hacia abajo la palanquita inferior de los bloqueadores de las rueditas posteriores. NOTA: Antes de usar la caminadora se deben bloquear ambas rueditas posteriores.



## PARA NIVELAR LA CAMINADORA

Su caminadora debe estar nivelada para que funcione de manera óptima. Una vez que haya colocado su caminadora en el lugar previsto, suba o baje uno o ambos niveladores ajustables que están en la parte inferior del bastidor de la caminadora\*. Le recomendamos usar un nivel para carpintería. Si la caminadora no está nivelada, es posible que la banda para correr se atore. Una vez que haya nivelado la caminadora, bloquee los niveladores apretando las tuercas contra el bastidor.

\*NOTA: Algunas caminadoras no tienen niveladores.





## PARA TENSAR LA BANDA PARA CORRER

La banda para correr ha sido correctamente ajustada en la fábrica. En ocasiones la banda puede descentrarse durante el transporte.

### ⚠ PRECAUCIÓN

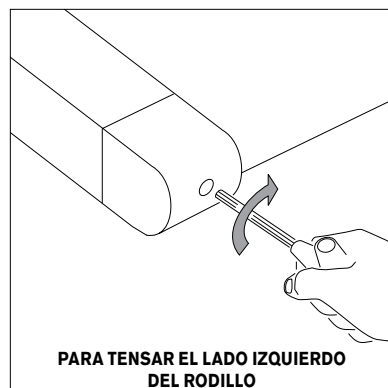
La banda para correr NO debe estarse moviendo al tensarla. Si la banda para correr está demasiado tensa puede causar desgaste excesivo en la caminadora, así como en sus componentes. Nunca tense demasiado la banda.

Si llegara a sentir deslizamiento al correr en la caminadora, será necesario tensar la banda para correr. En la mayoría de los casos, la banda se ha estirado debido al uso, ocasionando que se deslice. Éste es un ajuste normal y común. Para eliminar este deslizamiento, **apague la caminadora** y apriete los **dos pernos del rodillo posterior** con la llave Allen incluida, haciéndolos girar 1/4 de vuelta hacia la derecha como se muestra. Encienda la caminadora y revise si hay deslizamiento. Repita de ser necesario, pero **nunca haga girar** los pernos del rodillo más de 1/4 de vuelta a la vez. La banda queda con la tensión correcta cuando deja de deslizarse.

Para obtener más información y videos de instrucción, visite nuestra sección de Asistencia Técnica al Cliente en nuestro sitio en Internet. La información de contacto está en la contratapa del manual del propietario.



PARA TENSAR EL LADO DERECHO DEL RODILLO



PARA TENSAR EL LADO IZQUIERDO DEL RODILLO

## PARA CENTRAR LA BANDA PARA CORRER

La banda para correr ha sido correctamente ajustada en la fábrica. En ocasiones la banda puede descentrarse durante el transporte. Antes de utilizar la caminadora, asegúrese de que la banda esté centrada y de que permanezca centrada para que funcione correctamente.

### ⚠ PRECAUCIÓN

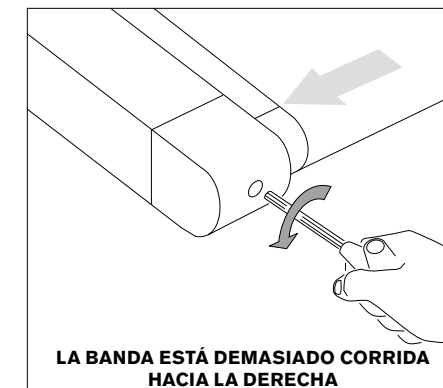
No deje que la banda se mueva a más de 1 milla/hora mientras la centra. Nunca acerque los dedos, el cabello o la ropa a la banda.

**Si la banda para correr está demasiado corrida hacia la derecha:** Con la caminadora funcionando a 1 milla/hora, haga girar el perno de ajuste izquierdo hacia la izquierda 1/4 de vuelta a la vez (utilice la llave Allen incluida). Verifique la alineación de la banda. Deje que la banda corra un ciclo completo para determinar si es necesario ajustar más. Repita, de ser necesario, hasta que la banda permanezca centrada al utilizar la caminadora.

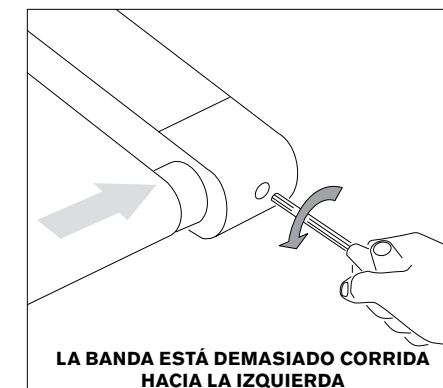
**Si la banda para correr está demasiado corrida hacia la izquierda:** Con la caminadora funcionando a 1 milla/hora, haga girar el perno de ajuste derecho hacia la izquierda 1/4 de vuelta a la vez (utilice la llave Allen incluida). Verifique la alineación de la banda. Deje que la banda corra un ciclo completo para determinar si es necesario ajustar más. Repita, de ser necesario, hasta que la banda permanezca centrada al utilizar la caminadora.

- Si detecta que la banda para correr se está resbalando porque está muy suelta, céntrela y ténsela lo que sea necesario.
- Para tener mejor acceso a los tornillos de ajuste, retire las tapas de los extremos del rodillo posterior.

Para obtener más información y videos de instrucción, visite nuestra sección de Asistencia Técnica al Cliente en nuestro sitio en Internet. La información de contacto está en la contratapa del manual del propietario.



LA BANDA ESTÁ DEMASIADO CORRIDA HACIA LA DERECHA



LA BANDA ESTÁ DEMASIADO CORRIDA HACIA LA IZQUIERDA



## PARA USAR LA FUNCIÓN DE RITMO CARDÍACO

Su caminadora podría estar equipada con empuñaduras con sensor de pulso cardíaco o con un sensor de pulso medido en el dedo pulgar. Para determinar cuál tiene su modelo, consulte el inicio de la sección de ENSAMBLAJE en su MANUAL DEL PROPIETARIO.

La función de ritmo cardíaco de este producto no es la de un aparato médico profesional. Aunque las empuñaduras con sensor de pulso o el sensor de pulso medido en el dedo pulgar pueden estimar relativamente bien su ritmo cardíaco en un momento dado, no se debe confiar en este estimado cuando sea necesario conocer los valores exactos. Algunas personas, entre ellas aquellas en programas de rehabilitación cardíaca, pueden beneficiarse de usar un sistema alternativo de monitoreo de ritmo cardíaco tal como una correa para el pecho o para la muñeca. Varios factores, entre ellos el movimiento del usuario, pueden afectar la exactitud del valor de ritmo cardíaco. El valor de ritmo cardíaco tiene el propósito único de ayudar a determinar la tendencia general del ritmo cardíaco. Consulte a su médico.

## EMPUÑADURAS CON SENSOR DE PULSO

Coloque la palma de las manos directamente en las empuñaduras con sensor de pulso. Para poder registrar su ritmo cardíaco es necesario sujetar con ambas manos. El equipo requiere 5 latidos (15-20 segundos) consecutivos del corazón para registrar el ritmo cardíaco. No sujete las empuñaduras con demasiada fuerza. Si lo hace, podría elevarse su presión arterial. Sujete las empuñaduras suavemente. Podría obtener valores erráticos si sostiene constantemente las empuñaduras con sensor de pulso. Asegúrese de limpiar los sensores de pulso para que pueda mantener buen contacto.

## PULSO MEDIDO EN EL PULGAR

Coloque el dedo pulgar LIGERAMENTE sobre el sensor de dedo pulgar. Si oprime con demasiada fuerza el sensor podría no funcionar correctamente. El dedo pulgar debe cubrir por completo la ventanilla del sensor. Después de unos cuantos segundos aparece su ritmo cardíaco en la ventanilla de ritmo cardíaco. El sensor también puede medir el pulso en el dedo índice.

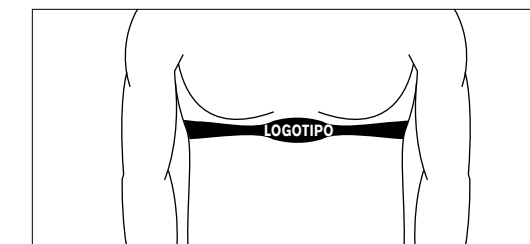
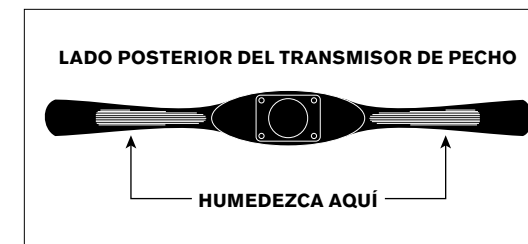
## ⚠ PRECAUCIÓN

Siempre párese sin moverse en los rieles laterales cuando mida su ritmo cardíaco. Si mide su ritmo cardíaco mientras se esté moviendo obtendrá valores imprecisos. No oprima el sensor con demasiada presión, ya que éste podría sufrir daños.

## RECEPTOR INALÁMBRICO DE RITMO CARDÍACO

Algunas caminadoras también incluyen un receptor inalámbrico de ritmo cardíaco. Cuando se usa en conjunto con un **transmisor inalámbrico de pecho**, su ritmo cardíaco puede ser transmitido inalámbricamente a la caminadora y aparecer en la consola. Su caminadora puede o no incluir un transmisor inalámbrico de pecho (consulte el inicio de la sección de ENSAMBLAJE en su MANUAL DEL PROPIETARIO).

Antes de ponerse el transmisor inalámbrico de pecho, humedezca con agua los 2 electrodos de goma. Centre la correa del pecho justo abajo del pecho o de los pectorales, directamente sobre el esternón, con el logotipo hacia fuera. **NOTA:** La correa de pecho debe estar tensa y bien colocada para que reciba valores exactos y constantes. Si la correa de pecho queda demasiado suelta, o si está mal colocada, los valores que se obtengan podrían ser erráticos o fluctuantes.



# RESOLUCIÓN DE PROBLEMAS Y MANTENIMIENTO

## PREGUNTAS COMUNES



### ¿SON NORMALES LOS SONIDOS QUE HACE MI CAMINADORA?

Todas las caminadoras, especialmente las nuevas, hacen cierto ruido de golpeteo debido a la banda que circula sobre los rodillos. Este ruido disminuye al paso del tiempo, aunque es posible que nunca desaparezca por completo. Al paso del tiempo la banda se estira, haciendo que la banda circule más suavemente sobre los rodillos.

### ¿POR QUÉ LA CAMINADORA QUE ME ENTREGARON HACE MÁS RUIDO QUE LA QUE ESTÁ EN LA TIENDA?

Todos los equipos para mejorar la salud física parecen más silenciosos en el espacio abierto de una tienda grande, porque generalmente hay más ruidos de fondo en la tienda que en su hogar. Los pisos de concreto alfombrado producen menos resonancia que otros tipos de pisos. En ocasiones un pesado tapete de hule reduce la resonancia en el piso. Si se coloca un equipo para mejorar la salud física cerca de una pared, se refleja más el ruido.

### ¿CUÁNDO ME DEBE PREOCUPAR ALGÚN SONIDO?

Mientras los sonidos que produzca su caminadora no sean más fuertes que un tono normal de conversación, se pueden considerar como sonido normal.

## RESOLUCIÓN DE PROBLEMAS BÁSICOS

**PROBLEMA:** La consola no se ilumina.

**SOLUCIÓN:** Verifique lo siguiente:

¿Se ilumina la luz roja en el interruptor de encendido y apagado (ON/OFF)? **NOTA:** Algunos modelos de caminadora no tienen un interruptor que se ilumine. Si éste es el caso, intente las siguientes soluciones.

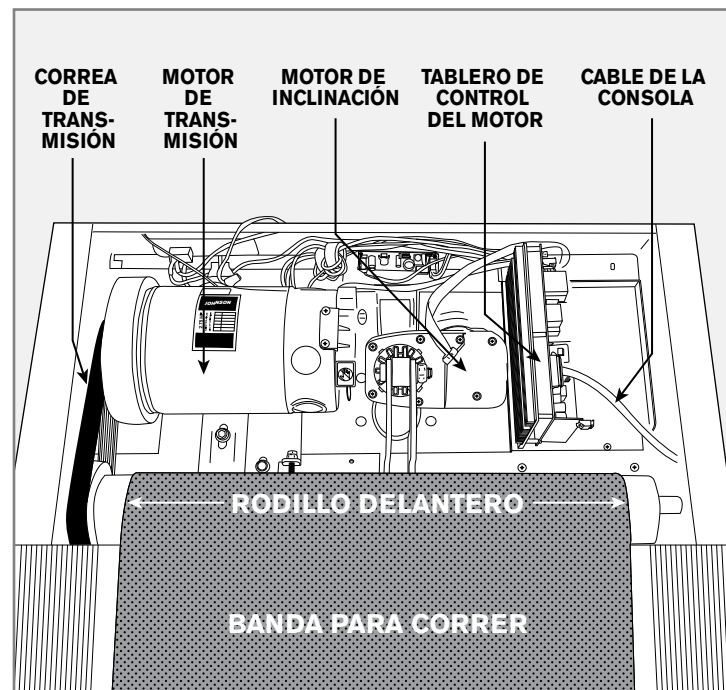
Si la respuesta es **SÍ:**

- Apague la caminadora, desconecte el cable de corriente y espere 60 segundos. Retire la cubierta del motor. Antes de seguir adelante espere a que todos los diodos luminosos rojos se hayan apagado en el tablero de control del motor. A continuación verifique que ninguno de los alambres conectados al tablero inferior esté suelto o desconectado.
- Verifique que todas las conexiones estén bien conectadas, especialmente la conexión del cable de la consola. Para verificar, desconecte y vuelva a conectar el cable de la consola.
- Asegúrese de que el cable de la consola no esté pellizcado ni dañado en alguna forma.
- Conecte la caminadora, coloque el interruptor de encendido y apagado en la posición de encendido (ON) y fíjese si hay diodos luminosos iluminados en el tablero de control del motor.

Si la respuesta es **NO:**

- Verifique que el tomacorriente al que la máquina está conectada funcione correctamente. Verifique que el interruptor no se haya abierto, que esté en un circuito dedicado de 15 amperios, que el tomacorriente no esté equipado con un interruptor de circuito por falla a tierra (GFCI), y que no esté

## BAJO LA CUBIERTA DE LOS MOTORES



conectado a un multicontacto/protector de sobrevoltaje ni a un cable de extensión.

- Verifique que el cable de corriente no esté aplastado ni dañado, y que esté correctamente conectado al tomacorriente y a la máquina.
- Verifique que el interruptor de encendido y apagado esté colocado en la posición de encendido (ON).

**PROBLEMA:** En la consola aparece un mensaje que dice SAFETY KEY OFF, que indica que la llave de seguridad no está colocada, o sólo aparecen rayitas.

**SOLUCIÓN:** Verifique lo siguiente:

- Verifique que la llave de seguridad esté bien fija en su lugar.
- Si usa una llave magnética, asegúrese de que la llave esté magnetizada.

**PROBLEMA:** La banda para correr no se mueve, o se mueve brevemente, aunque la consola esté funcionando.

**SOLUCIÓN:** Verifique lo siguiente:

- Asegúrese de estar siguiendo las recomendaciones y las instrucciones con respecto a la corriente eléctrica que aparecen en las páginas 4 y 5 de esta guía de la caminadora. La unidad debe estar conectada a un circuito dedicado de 15 amperios y no a un tomacorriente equipado con un interruptor de circuito por falla a tierra (GFCI). No conecte la máquina a un multicontacto/protector de sobrevoltaje ni cable de extensión.
- Revise si la banda para correr se mueve. De ser así, tome nota de qué distancia recorre o cuánto tiempo circula antes de detenerse.
- Trate de mover manualmente la banda para correr. De no poder hacerlo, es posible que la correa de transmisión se haya zafado o que los rodamientos del motor se hayan trabado o agarrado.
- Apague la caminadora y desconéctela del tomacorriente. Saque los tornillos Phillips para retirar la cubierta de plástico de los motores que está en la parte delantera de la máquina. Revise que la correa de transmisión esté bien alineada.
- Sin la cubierta, revise las conexiones de alambres y cables, ya que es posible que se hayan aflojado o desconectado durante el envío o el ensamblaje. Asegúrese de que las conexiones estén bien conectadas y que los cables no estén torcidos, dañados, desconectados o quemados.

**PROBLEMA:** El sistema de inclinación no se mueve, no baja, o no parece estar al nivel correcto.

**SOLUCIÓN:** Verifique lo siguiente:

- Asegúrese de estar siguiendo las recomendaciones y las instrucciones con respecto a la corriente eléctrica que aparecen en las páginas 4 y 5 de esta guía de la caminadora. La unidad debe estar conectada a un circuito dedicado de 15 amperios y no a un tomacorriente equipado con un interruptor de circuito por falla a tierra (GFCI). No conecte la máquina a un multicontacto/protector de sobrevoltaje ni a un cable de extensión.
- Asegúrese de que la consola muestre un cambio en la pantalla al oprimir los botones de elevación.
- Apague la caminadora y desconéctela del tomacorriente. Verifique que las conexiones de los cables de la consola en la parte superior del poste estén bien conectadas. Asegúrese de que todos los alambres multicolores estén bien metidos en la funda del cable.
- Saque los tornillos Phillips para retirar la cubierta de plástico de los motores que está en la parte delantera de la máquina. Revise las conexiones de alambres y cables, ya que es posible que se hayan aflojado o desconectado durante el envío o el ensamblaje. Asegúrese de que las conexiones estén bien conectadas y que los cables no estén torcidos, dañados, desconectados o quemados.

**PROBLEMA:** Los altoparlantes no producen sonido aunque, sin embargo, los auriculares sí funcionan.

**SOLUCIÓN:** Verify the following:

- Apague la caminadora y desconéctela del tomacorriente. Saque los tornillos Phillips para retirar la cubierta de plástico de los motores que está en la parte delantera de la máquina.
- Revise las conexiones de alambres y cables al tablero de los altoparlantes, que está cerca del tablero de control del motor.



**PROBLEMA:** El cortacircuito de la caminadora se dispara durante una sesión de ejercicio.

**SOLUCIÓN:** Verifique lo siguiente:

- Asegúrese de que la caminadora esté conectada en un circuito dedicado de 15 amperios.
- Verifique que la máquina no esté conectada en una extensión o en un protector de sobrevoltaje.
- Confirme que la máquina no esté conectada en un tomacorriente equipado con interruptor del circuito de fallos de conexión a tierra (GFCI) o en un circuito que tenga uno de estos tomacorrientes.
- Si es necesario, lubrique la plataforma de la caminadora.

**PROBLEMA:** La banda para correr no permanece centrada durante una sesión de ejercicio.

**SOLUCIÓN:** Verifique lo siguiente:

- Asegúrese de que la caminadora esté sobre una superficie nivelada.
- Verifique que la banda esté bien tensada y centrada (consulte instrucciones detalladas en las secciones **PARA TENSAR LA BANDA PARA CORRER** y **PARA CENTRAR LA BANDA PARA CORRER**).

HAY MÁS SUGERENCIAS PARA RESOLVER PROBLEMAS EN LA SECCIÓN DE ASISTENCIA TÉCNICA A CLIENTES EN NUESTRO SITIO EN INTERNET. COMUNÍQUESE CON EL DEPARTAMENTO DE ASISTENCIA TÉCNICA A CLIENTES POR MEDIO DE LA INFORMACIÓN EN LA CONTRATAPA DEL MANUAL DEL PROPIETARIO.

**PROBLEMA:** La velocidad no parece ser la correcta.

**SOLUCIÓN:** Autocalibre la caminadora:

- Encienda la caminadora y ponga la llave de seguridad en su lugar en la consola. Oprima y sostenga oprimidas las teclas de aumentar inclinación **INCLINE +** y reducir velocidad **SPEED -** durante aproximadamente 5 segundos para entrar a la modalidad de ingeniería. La consola emite un sonido y aparece “ENG0” en la pantalla.
- Oprima la teclas de aumentar o reducir velocidad **SPEED + / -** hasta que aparezca “ENG2” en la pantalla.
- Oprima “ENTER” para elegir. Oprima “START” para dar inicio. La banda de la caminadora comienza a moverse en forma automática y la secuencia de autocalibración define y guarda los valores de velocidad.
- Una vez que la calibración sea exitosa, la caminadora emitirá sonidos varias veces. La consola sale en forma automática de la modalidad de ingeniería y vuelve a la pantalla de inicio.

**NOTA:** Algunos modelos de caminadora no cuentan con la función de autocalibración. Apague la caminadora y desconecte el cable de corriente. Verifique que el cable de la consola no esté pellizcado y asegúrese de que esté bien conectado tanto al tablero superior como al inferior.

## ADVERTENCIA

NO se pare sobre la banda para correr mientras calibra; coloque los pies en los rieles laterales. La caminadora fluctuará entre velocidad baja y alta durante varios minutos hasta que se termine de hacer la calibración.



## RESOLUCIÓN DE PROBLEMAS – RITMO CARDÍACO

### (SÓLO MODELOS CON EMPUÑADURAS CON SENSOR DE PULSO)

Revise el lugar donde esté su caminadora para ver si hay fuentes de interferencia tales como luces fluorescentes, computadoras, cercas electrónicas enterradas, sistemas de protección electrónica para el hogar o aparatos electrodomésticos con motores grandes. Estas cosas pueden ocasionar valores erráticos de ritmo cardíaco.

Es posible que su consola dé valores erráticos bajo las siguientes condiciones:

- Si se sostienen con fuerza las empuñaduras con sensor de pulso. Trate de mantener presión moderada en las empuñaduras con sensor de pulso.
- Si hay movimiento y vibraciones constantes por sostener en forma constante las empuñaduras con sensor de pulso al tiempo que hace ejercicio. Si recibe valores erráticos de ritmo cardíaco, sostenga las empuñaduras con sensor de pulso sólo lo suficiente para detectar su ritmo cardíaco.
- Cuando respira con esfuerzo durante una sesión de ejercicio.
- Cuando usa algún anillo apretado.
- Cuando tiene las manos muy frías o muy secas. Trate de humedecerse las palmas de las manos tallándose las para que se calienten un poco.
- En personas con arritmia grave.
- En personas con arteriosclerosis o problemas de circulación periférica.
- En personas con piel muy gruesa en la palma de las manos.

Si esta sección de resolución de problemas no remedia su problema, deje de usar el equipo y apáguelo.

### COMUNÍQUESE CON EL SERVICIO DE ASISTENCIA TÉCNICA A CLIENTES AL NÚMERO INDICADO EN LA CONTRATAPA DEL MANUAL DEL PROPIETARIO.

Cuando llame le pedirán la siguiente información. Tenga esta información disponible:

- Nombre del modelo
- Número de serie
- Comprobante de compra (recibo o estado de cuenta de tarjeta de crédito)

Para que el técnico pueda darle servicio a su caminadora le tendrá que hacer preguntas acerca de los síntomas que se presentan. Algunas de estas preguntas son:

- ¿Desde cuándo está sucediendo este problema?
- ¿Ocurre este problema cada vez que la usa? ¿Le sucede a todas las personas que la usan?
- Si escucha un ruido, ¿proviene del frente o de la parte de atrás? ¿Qué tipo de ruido es (golpeteo, chirrido, rechinado, crujido, etc.)?
- ¿Ha sido lubricada la máquina y se le ha dado mantenimiento de acuerdo al programa de mantenimiento?

Al contestar éstas y otras preguntas le dará al técnico la habilidad para enviar piezas correctas de repuesto y dar el servicio necesario para que usted vuelva a hacer ejercicio en su caminadora.

## MANTENIMIENTO

El mantenimiento preventivo es la clave para que el equipo funcione correctamente, así como para mantener a un mínimo la responsabilidad del usuario. El equipo debe ser revisado a intervalos regulares. Los componentes defectuosos deben ser reemplazados de inmediato. No debe usarse el equipo que esté funcionando mal mientras no sea reparado. Asegúrese de que todas las personas que hagan ajustes, den mantenimiento, o hagan reparaciones de cualquier tipo estén capacitadas para hacerlo.

### DESPUÉS DE CADA USO (DIARIAMENTE)

Limpie y revise siguiendo estos pasos:

- Apague la caminadora con el interruptor de encendido y apagado. Luego desconecte el cable del tomacorriente de la pared.
- Limpie con un paño húmedo la banda para correr, la plataforma, la cubierta del motor y el marco de la consola. Nunca use solventes, ya que pueden ocasionar daños a la caminadora.
- Revise el cable de corriente. Si el cable de corriente está dañado, póngase en contacto con el servicio de asistencia técnica a clientes.
- Asegúrese de que el cable de corriente no quede bajo la caminadora ni en ningún otro lugar donde algo lo pudiera pellizcar o cortar.
- Revise la tensión y la alineación de la banda para correr. Asegúrese de que la banda de la caminadora no le cause daños a ningún componente de la caminadora por estar mal alineada.
- Si alguna etiqueta está dañada o ilegible, solicite que la reemplace el servicio de asistencia técnica a clientes.

### SEMANALMENTE

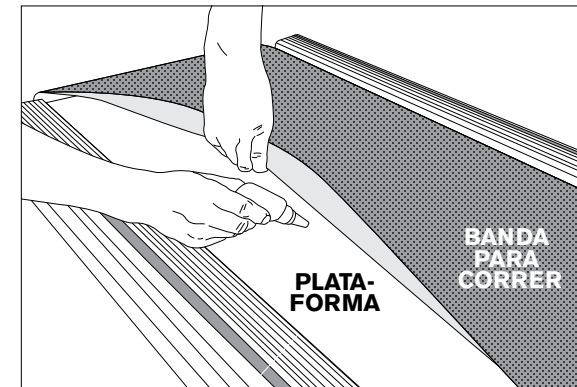
Limpie abajo de la caminadora de la siguiente forma:

- Apague la caminadora con el interruptor de encendido y apagado. Luego desconecte el cable del tomacorriente de la pared.
- Coloque la caminadora en su posición vertical, asegurándose de que el mecanismo de bloqueo esté fijo en la posición de cerrado.
- Mueva la caminadora a otro lugar alejado.
- Limpie o use la aspiradora para quitar todo el polvo y otros objetos que pudieran haberse acumulado bajo la caminadora.
- Vuelva a colocar la caminadora en su posición anterior.

### MENSUALMENTE - ¡IMPORTANTE!

- Apague la caminadora con el interruptor de encendido y apagado. Luego desconecte el cable del tomacorriente de la pared. Espere 60 segundos.
- Revise que todos los pernos de ensamblaje de la máquina estén bien apretados.
- Quite la cubierta del motor. Espere hasta que TODAS las pantallas indicadoras se apaguen.
- Limpie el motor y el área inferior del tablero para eliminar toda la pelusa y el polvo acumulados. Si no lo hace, los componentes eléctricos clave podrían fallar prematuramente.
- Limpie la banda con aspiradora y con un trapo húmedo. Limpie con aspiradora todas las partículas negras y blancas que pudieran acumularse alrededor de la unidad. Estas partículas se acumulan debido al uso normal de la caminadora.

## LUBRICACIÓN DE LA BANDA PARA CORRER



### CADA 6 MESES O 150 MILLAS

Para que su caminadora siga funcionando de manera óptima es necesario lubricar la banda para correr cada seis meses o cada 150 millas. Una vez que la caminadora llega a las 150 millas aparece el mensaje "LUBE" o "LUBE BELT", que indica que es necesario lubricar la banda para correr. La caminadora no funciona mientras el mensaje esté visible. Su caminadora le fue entregada con una botella de aceite lubricante 100% de silicona, que alcanza para dos aplicaciones. Si necesita lubricante, comuníquese con el servicio de asistencia técnica a clientes o visite nuestro sitio en Internet. Sólo use aceite lubricante 100% de silicona que está disponible a través del servicio de asistencia técnica a clientes.

Herramientas necesarias:

- Llave en T de manija azul o llave Allen
- Aceite lubricante 100% de silicona

Procedimiento:

1. Turn Apague la caminadora por medio del interruptor de encendido y apagado (ON/OFF), y desconecte el cable de corriente del tomacorriente de la pared.
2. Con la llave en T o la llave Allen, afloje los tornillos del rodillo posterior dándoles de 10 a 15 vueltas hacia la izquierda. Esto debe soltar la banda lo suficiente para que usted pueda levantarla.
3. Levante la banda lo más que pueda y aplique el aceite lubricante de silicona echando un chorrito en zigzag en toda la superficie de la plataforma. Use 1/2 botella de aceite lubricante de silicona marca Horizon Fitness. No aplique el lubricante en la parte superior de la banda para correr. Baje la banda para correr y apriete los tornillos del rodillo posterior, haciéndolos girar hacia la derecha el mismo número de vueltas que les dio al aflojarlos.
4. Una vez que haya aplicado el lubricante, conecte el cable de corriente e introduzca la llave de seguridad. Borre el mensaje de necesidad de lubricación de la banda, oprimiendo y manteniendo oprimidos al mismo tiempo de 5 a 7 segundos la flecha hacia arriba de velocidad y el botón de paro STOP.
5. Sin subirse a la caminadora, oprima la tecla de inicio START. Deje que la banda corra a 3 millas/hora durante 3 minutos para que la silicona comience a esparcirse. Luego camine en la máquina a una velocidad cómoda durante 3 minutos para que la silicona termine de esparcirse, y revise que la banda para correr tenga la tensión y la alineación correctas.
6. Una vez que esta banda quede centrada y con la tensión correcta, detenga su funcionamiento. Limpie con un paño húmedo todo el exceso de aceite lubricante de los lados.

Oprima y sostenga oprimida la tecla de paro STOP durante 5 segundos para suspender el mensaje durante 5 millas.

Si su caminadora tiene amortiguadores neumáticos bajo la plataforma para asistir en el levantamiento, lubrique el tubo plateado de los amortiguadores neumáticos con un rociador que contenga Teflón, que puede adquirir en cualquier ferretería o tienda de bicicletas local.

Visite la sección de asistencia técnica al cliente en nuestro sitio en Internet para ver videos instructivos de mantenimiento. Comuníquese con el departamento de asistencia técnica a los clientes si tiene preguntas acerca de cómo aplicar el lubricante a su caminadora.







**DO NOT RETURN TO THE RETAILER**

if you have any problems during assembly or if parts are missing.

NOTE: Please read the TROUBLESHOOTING in the before contacting Customer Tech Support.

En cas de difficulté lors de l'assemblage ou si des pièces manquent, **NE PAS RENVoyer L'APPAREIL AU DÉTAILLANT.**

REMARQUE : Lire la section DÉPANNAGE avant d'appeler le service de soutien technique à la clientèle.

Si tiene problemas durante el ensamblaje o si le faltan piezas **NO DEVUELVA EL EQUIPO AL VENDEDOR.**

NOTA: Lea la sección de RESOLUCIÓN DE PROBLEMAS antes de ponerse en contacto con el servicio de asistencia técnica a clientes.

**CUSTOMER TECH SUPPORT**  
contact information is located  
on the back panel of the  
**OWNER'S MANUAL.**

**Pour communiquer avec le**  
**SERVICE DE SOUTIEN TECHNIQUE**  
**À LA CLIENTÈLE, voir au verso du**  
**MANUEL DU PROPRIÉTAIRE.**

**La información de contacto del**  
**SERVICIO DE ASISTENCIA TÉCNICA**  
**A CLIENTES está en la contratapa**  
**del MANUAL DEL USUARIO.**