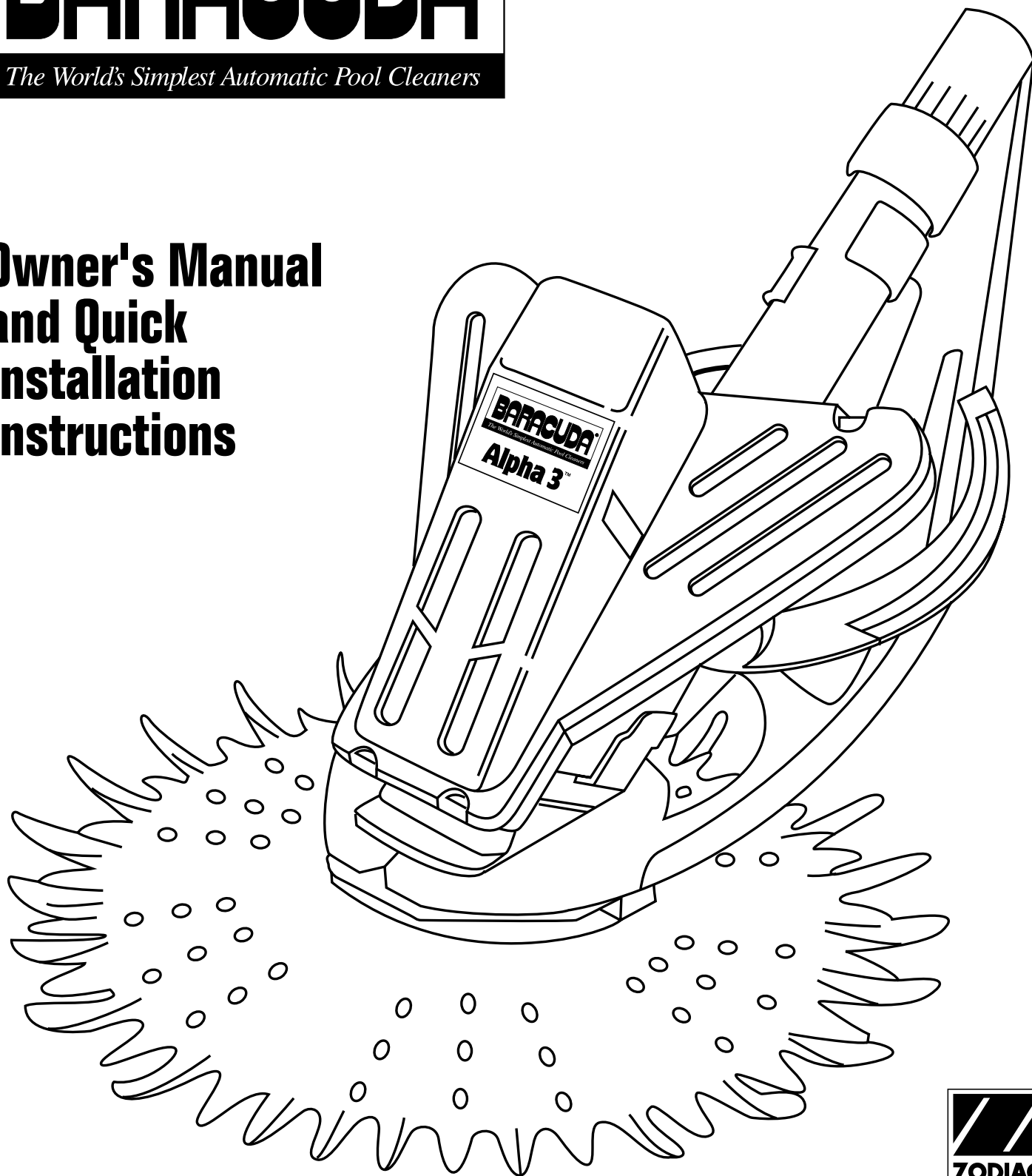


**Alpha 3™**

**BARACUDA®**

*The World's Simplest Automatic Pool Cleaners*

# Owner's Manual and Quick Installation Instructions



**Alpha 3™**

**AUTOMATIC INGROUND POOL CLEANER**

**THANK YOU FOR PURCHASING THE ALPHA 3™  
YOUR ALPHA 3 HAS BEEN DESIGNED AND MANUFACTURED TO BE EASILY  
INSTALLED AND TO PROVIDE YEARS OF LOW MAINTENANCE OPERATION.**

**PRIOR TO INSTALLING YOUR NEW ALPHA 3, PLEASE DO THE FOLLOWING:**

- 1) Complete and return the warranty card.
- 2) Record your purchase information on the spaces provided below.
- 3) Attach your invoice (or a copy) to this page.

These actions will insure prompt warranty service, should it be required. Simply present your owner's manual, along with the invoice at any of our authorized warranty centers nationwide.

**RECORD YOUR ALPHA 3 POOL CLEANER DATA HERE:**

Date of Purchase \_\_\_\_\_

Purchased From \_\_\_\_\_

City \_\_\_\_\_ State/Province \_\_\_\_\_ Zip/Postal Code \_\_\_\_\_

Serial No: **A** \_\_\_\_\_ (serial number located on underside of machine head)

**ALPHA 3 LIMITED WARRANTY**

This Alpha 3 was carefully inspected before shipment from our warehouse. Upon unpacking, if any part proves defective or missing, please notify Zodiac Pool Care, Inc. immediately. Please consult owner's manual for complete instructions on the installation and operation of your Alpha 3.

**ZODIAC POOL CARE, INC. WARRANTS THE ALPHA 3 POOL CLEANER AGAINST ALL MANUFACTURING DEFECTS AND ALL WEAR AND TEAR FOR THE FIRST TWO (2) YEARS INCLUDING THE ALPHA 3 HOSE. ALL WARRANTIES ARE EFFECTIVE FROM THE DATE OF PURCHASE.**

Should this product prove defective in workmanship, materials or wear during the applicable warranty period, the consumer's sole and exclusive remedy shall be such repair or replacement of the product as provided below.

**THIS LIMITED WARRANTY EXCLUDES THE FOLLOWING:**

1. Discoloration of the Alpha 3 pool cleaner. This is caused by reaction to ultraviolet rays and the chemicals used in the pool water. Discoloration does not affect the operating ability of the Alpha 3. Therefore, this Limited Warranty does not cover the replacement of discolored parts.
2. Damage to or malfunction of the unit resulting from excess chlorination or improper water chemistry balance.
3. Replacement of parts which fail or become defective as a result of improper installation, negligence, misuse, abuse or tampering by unauthorized repair personnel.
4. Age, pool water imbalance, and improper installation can cause vinyl pool liners to become brittle or unduly wrinkled. Corrosion of the supporting walls and/or irregularities in the pool base may also cause liner failure. The use of this product in such an environment is at the pool owner's risk. Therefore, the pool owner hereby releases the manufacturer from any and all claims for damage where these conditions exist.
5. The Alpha 3 is designed for use in inground pools only. If unit is used in any other application, the pool owner hereby releases the manufacturer from any and all claims. This misuse will void all warranty on the unit. The Alpha 3 Pool Cleaner doesn't work under pool cover.

**THE LIMITED WARRANTY PROVIDED HEREIN IS THE SOLE AND EXCLUSIVE WRITTEN WARRANTY WITH RESPECT TO THE ALPHA 3 POOL CLEANER. ALL IMPLIED WARRANTIES IMPOSED BY APPLICABLE LAW, INCLUDING ANY IMPLIED WARRANTY OF MERCHANTABILITY OR FITNESS FOR A PARTICULAR PURPOSE, WITH RESPECT TO EACH COMPONENT OF THE ALPHA 3 ARE LIMITED TO THE DURATION OF THE EXPRESS LIMITED WARRANTY WITH RESPECT TO SUCH COMPONENT. SOME STATES DO NOT ALLOW LIMITATIONS ON HOW LONG AN IMPLIED WARRANTY LASTS, SO THE ABOVE LIMITATION MAY NOT APPLY TO YOU.**

In no event shall Zodiac Pool Care, Inc. be liable in contract or in tort, or under any other legal theory, for lost profits or revenues, loss of use or similar economic loss, or for indirect, special, incidental, consequential or similar damages, even if it has been advised of the possibility of such claim. Some states do not allow the exclusion or limitation of incidental or consequential damages, so the above limitation or exclusion may not apply to you.

No claim under this Limited Warranty will be recognized unless the registration card, included in your box, is completed and returned within fifteen (15) days of the purchase date. **Only the original purchaser may submit a claim under this Limited Warranty.** Purchaser's claims against Zodiac Pool Care, Inc. shall be limited to those claims which may be asserted under the Limited Warranty relating to any defect, malfunction or wear of the Alpha 3.

To obtain warranty replacements or repair, call for authorization at (888) 786-7797. When calling, always supply serial number, evidence of purchase date, retailer and a brief description of the problems/defects encountered. Zodiac Pool Care, Inc. reserves the right to repair or replace all defective or worn parts covered by this Limited Warranty and return same to purchaser, freight collect.

Zodiac Pool Care, Inc. assumes no responsibility for any warranties or representations made by other individuals or businesses beyond the express terms contained in this Limited Warranty.

This warranty gives you specific legal rights, and you may also have other rights which vary from state to state.

For sale and use in the United States, Canada and Mexico only. This pool cleaner is not warranted or guaranteed outside of the United States, Canada or Mexico.

This pool cleaner is covered by one or more of the following U.S. and Canadian patents and Canadian registered design:

U.S. patent nos. 4,642,833 - 4,742,593 - 5,315,728 - 5,421,054.

Canadian patent nos. 1,254,105 and 1,256,262.

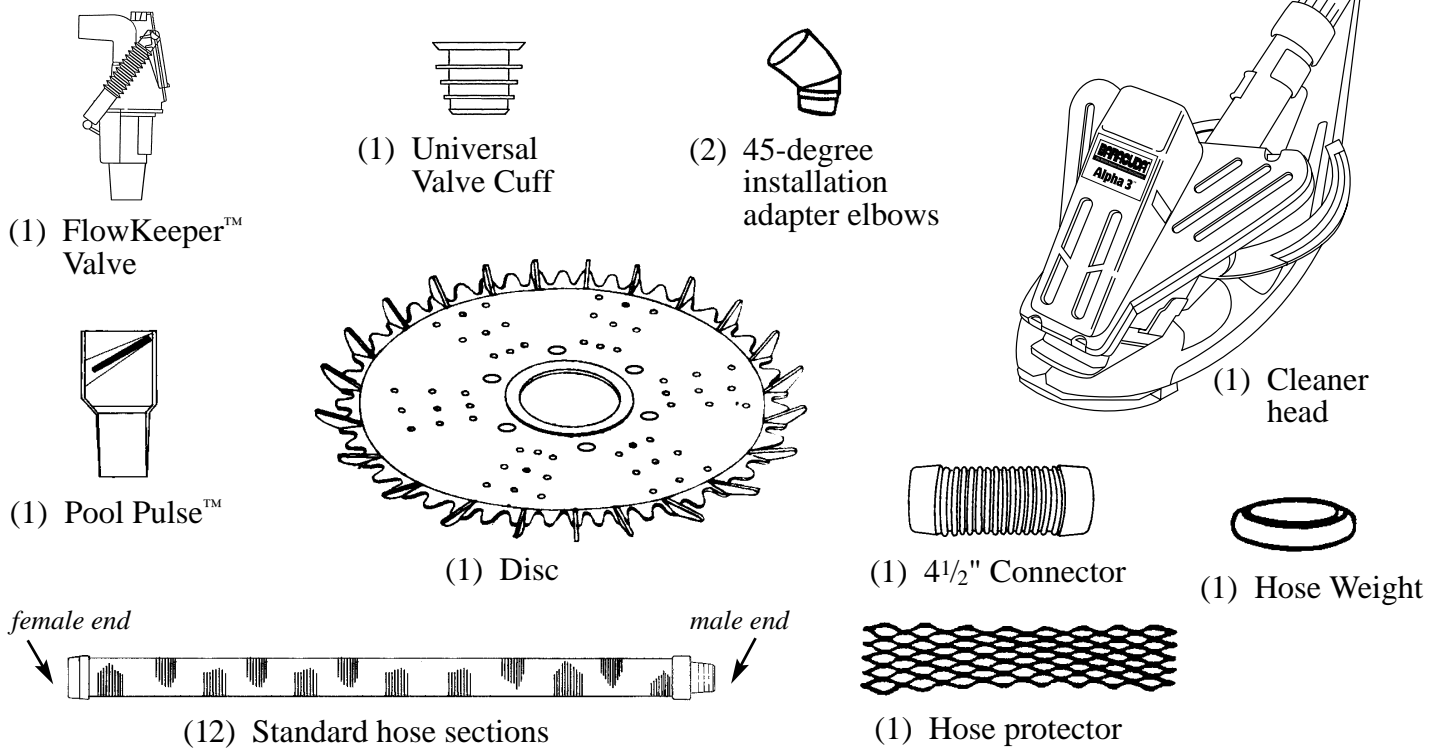
OTHER PATENTS PENDING.



# TABLE OF CONTENTS

General Pool Schematic .....	4
Disc Installation .....	5
Pool Preparation .....	5
Assembly .....	7
Installation .....	8
Pool Pulse™ .....	12
Care and Maintenance .....	13
Balance and Coverage .....	15
Troubleshooting .....	16
Accessories .....	17
Parts Diagram .....	18

## Check that the following parts are included:



**If assistance is required, call 1-888-786-7797**

**In Canada, please call 1-888-647-4004**

### IMPORTANT: FOR VINYL LINER POOL OWNERS

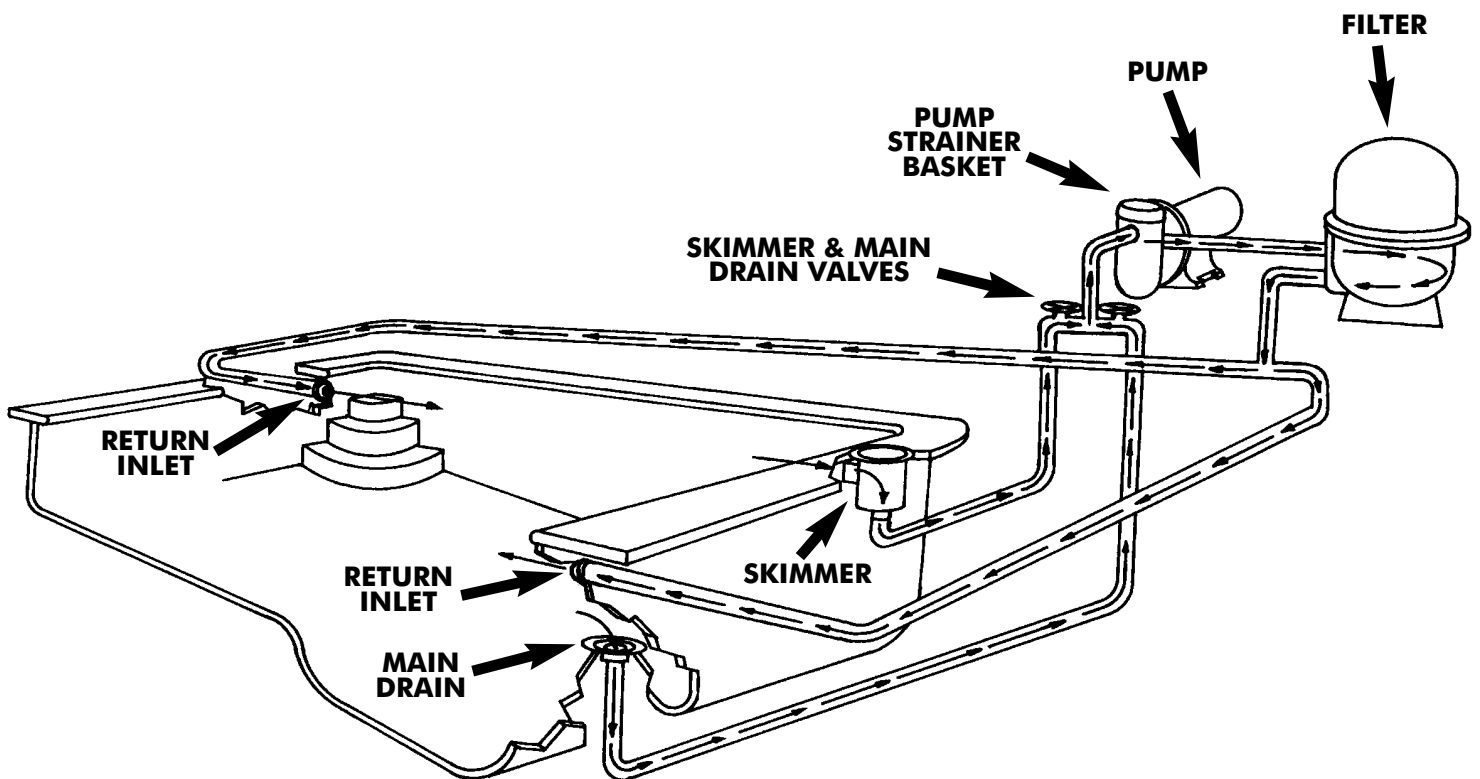
Vinyl liners are subject to deterioration or damage due to age, the effect of chemicals, corrosion or failure of the supporting walls; as well as improper installation, maintenance or cleaning of the supporting walls or base.

Before installing the Alpha 3™, examine the interior of your pool carefully. If your vinyl liner is brittle or has stones, wrinkles, roots or metal corrosion in contact with the underside of the liner, or has damage to the base material or supporting walls, do not install the Alpha 3 before having a qualified professional perform the necessary repairs.

# GENERAL POOL SCHEMATIC

To help you better understand how your new Alpha 3™ will work, please read the following overview:

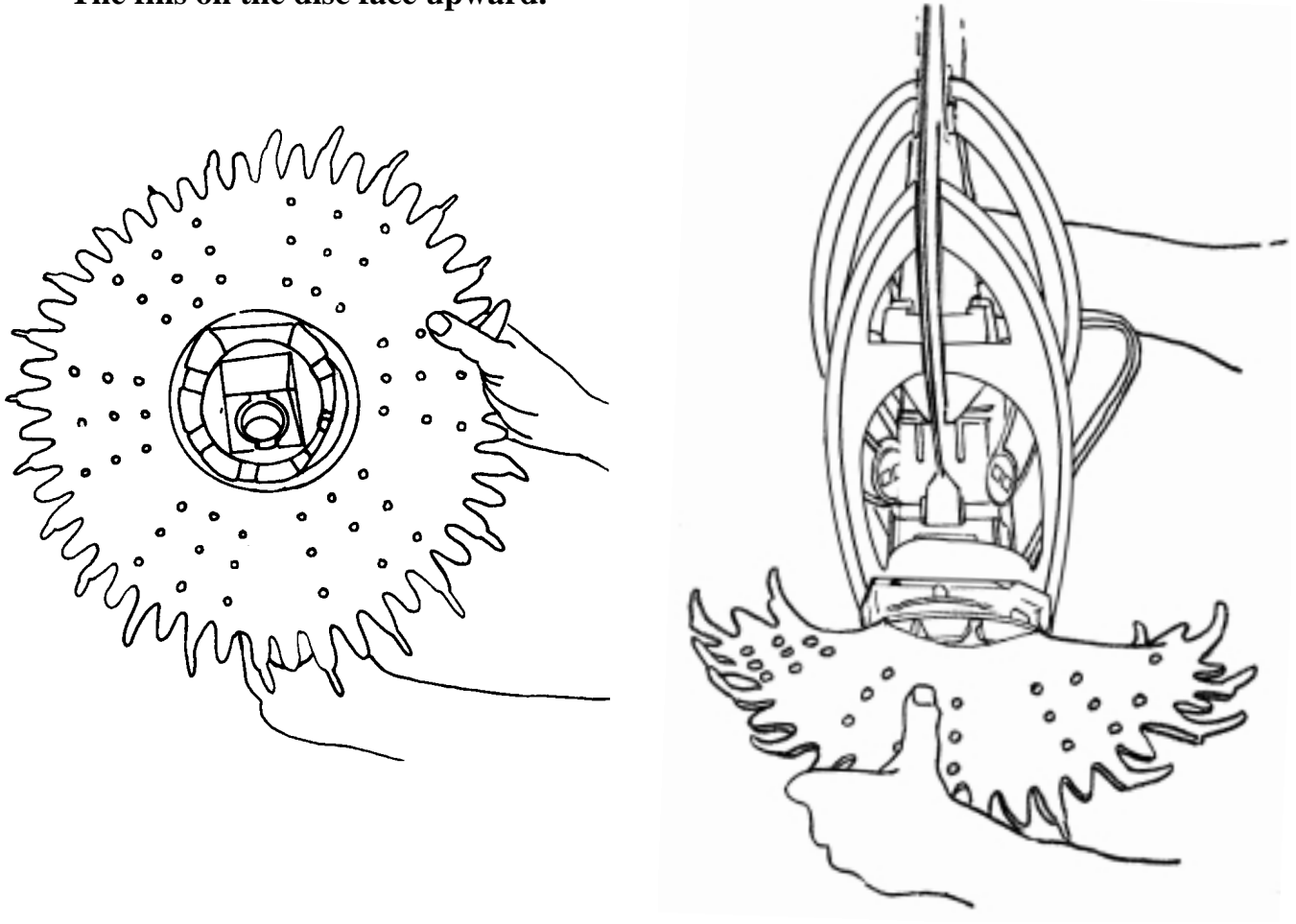
The pump is the heart of your swimming pool. It pulls water and pushes water, creating a circulation pattern. The pump is supplied water from the main drain and the skimmer. Large debris is removed at the skimmer basket and the pump strainer basket. Valves located in front of the strainer basket control the flow of water coming from the main drain and skimmer. Pools with a wall vacuum fitting would have a valve located near the skimmer and main drain valves. The wall vacuum fitting provides an easier access for cleaning the pool. After water has been pulled by the pump through the suction side of the system, it is then pushed through your filter, removing fine particles and re-enters the swimming pool through the return inlets. The return inlets may have directional eyeballs to aim flow and increase pressure. Water flow through your Alpha 3 makes it move, water flow in your pool steers the cleaner. Restrictions in the suction line, damaged pump parts, faulty or improperly set valves, baskets packed with debris and dirty pool filters all affect flow through the cleaner and will reduce its performance. Improperly aimed return inlets can create a pattern in the cleaning action of your Alpha 3.



All diagrams are provided for reference and for terminology used throughout this manual. Your pool may vary.

## DISC INSTALLATION

Slide the finned disc over the footpad. Be sure it fits properly in the grooves provided.  
**The fins on the disc face upward.**



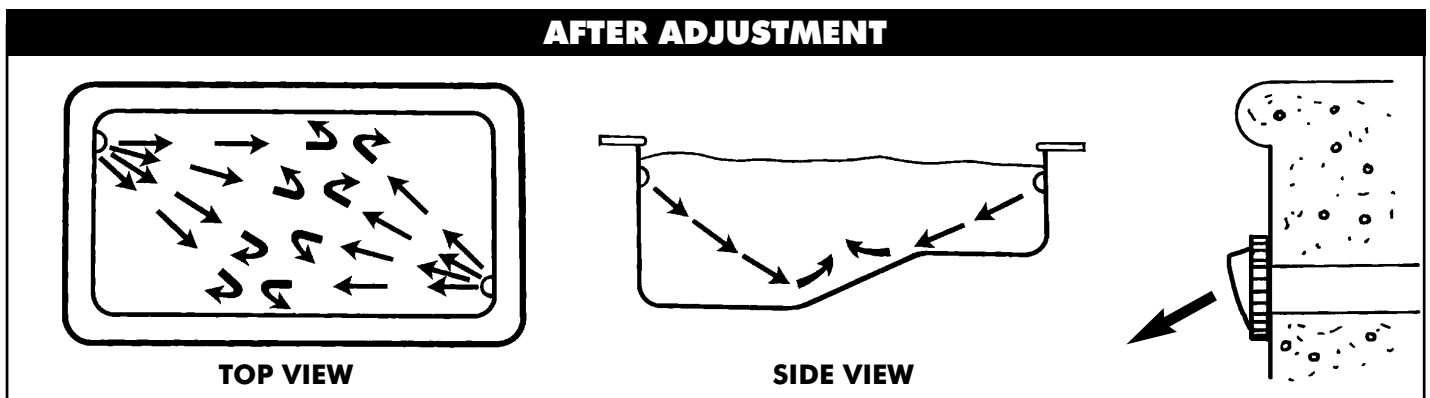
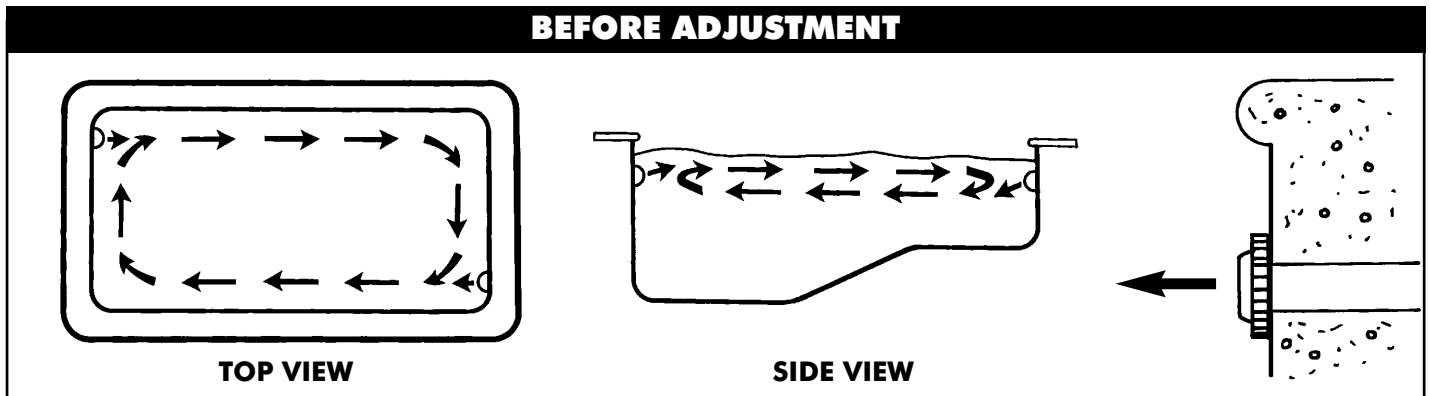
## POOL PREPARATION

For your Baracuda Alpha 3™ to operate properly your pool filtration system must be operating at maximum water flow. To eliminate readjustment, **you must do the following:**

- Close the main drain**
- Manually vacuum the pool**
- Clean the filter according to the manufacturer's instructions and empty the pump strainer basket**
- Divert the pool return inlets downward**  
*(see page 6)*

# POOL PREPARATION

For your Baracuda Alpha 3™ to work properly, all return inlets must be pointed downward and towards each other so that you do not see a circular water flow or ripples on the surface.



To adjust the return inlet: loosen the lock ring and redirect the eyeball downward, then retighten the lock ring. If the eyeball is difficult to adjust, insert a screwdriver inside the eyeball and gently adjust downward.

If the return inlets cannot be pointed downward, then you **MUST** install Baracuda return line diverters. They are available through your Baracuda dealer (*see page 17*).

**FOR POOLS WITH RETURN INLET DIRECTIONAL FITTINGS**

Replace the directional eyeball with Baracuda retrofit eyeball return line diverter (Part #90153 for 1½" return lines; Part #90155 for 2" return lines), and reinstall eyeball retaining ring (*see pg. 17*).

The diagram shows a cross-section of a pool's return inlet. A diverter, which is a T-shaped fitting with a lock ring, is being pushed onto the inlet pipe. The diverter has a central opening for the pipe and a side opening for the water to be directed downwards.

**IF UNABLE TO ADJUST RETURN INLETS OR FOR POOLS WITHOUT RETURN INLET DIRECTIONAL FITTINGS**

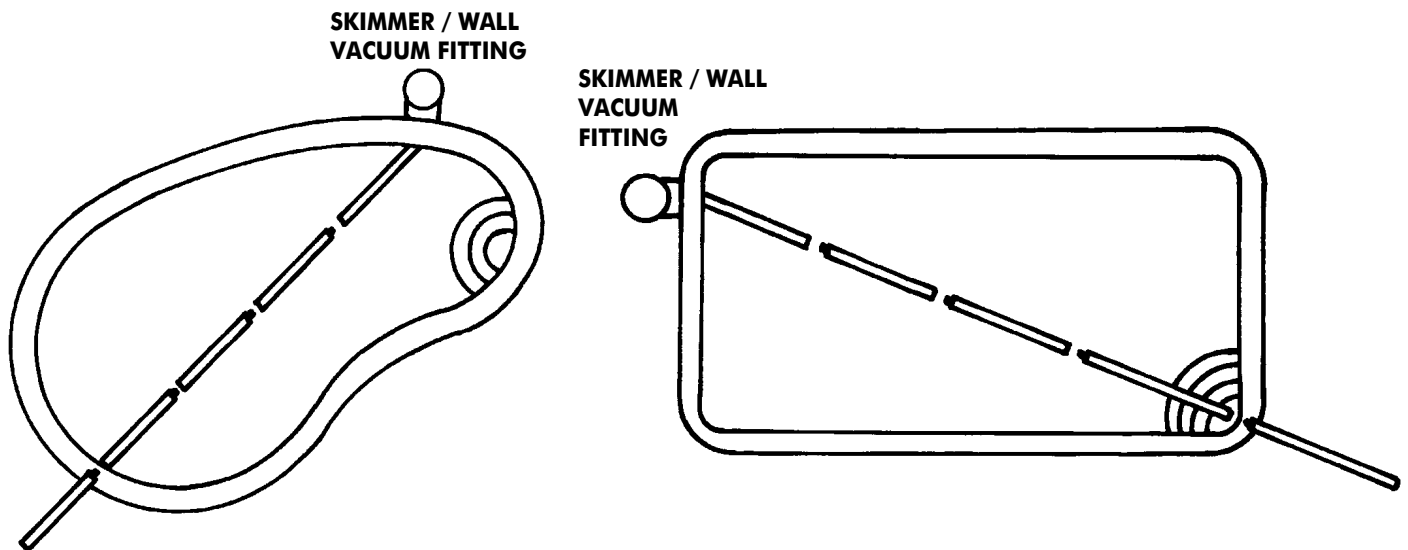
Use Baracuda universal return line diverter (Part #24100). Pinch wires together and insert fully into return inlet.

The diagram shows a cross-section of a pool's return inlet. A universal diverter, which is a T-shaped fitting with a lock ring and a side opening, is being inserted into the inlet pipe. The diverter is shown being pushed into the pipe, with the side opening facing downwards.

# HOSE ASSEMBLY

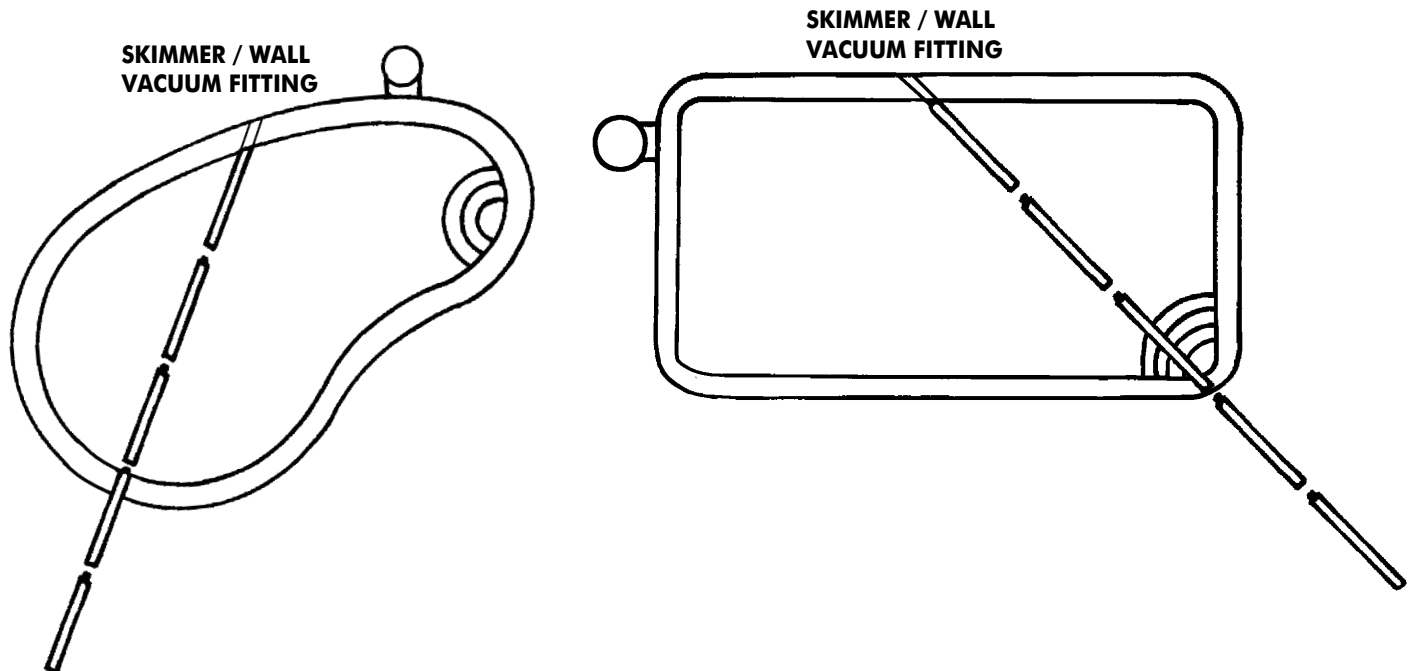
## FOR CORNER OR END INSTALLATIONS

If your skimmer or wall vacuum fitting is located at the corner or end of your pool, use enough hose sections to reach the farthest point in the pool, plus one (1) section.



## FOR CENTER INSTALLATIONS

If your skimmer or wall vacuum fitting is located at the center of your pool, use enough hose sections to reach the farthest point in the pool, plus two (2) sections.



**Note:** You may not use all or you may need more hose sections, with either installation method, depending upon your pool size.



# INSTALLATION

The next steps vary based on whether your pool has one skimmer, two skimmers or a wall vacuum fitting. Please follow the appropriate instructions for your type of pool.

## FOR POOLS WITH ONE SKIMMER

- ❑ Turn the filtration system off.
- ❑ Using the parts shown below, choose the fitting combination best suited for your skimmer. You may have parts leftover.

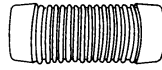
**DO NOT INSTALL IN THE SKIMMER AT THIS TIME.**



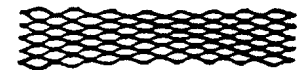
(1) FlowKeeper™ Valve



(2) 45° installation adapter elbows



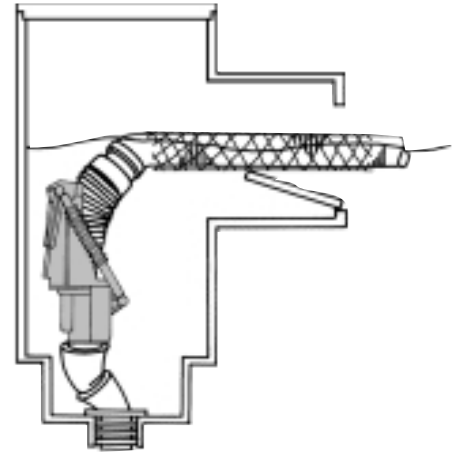
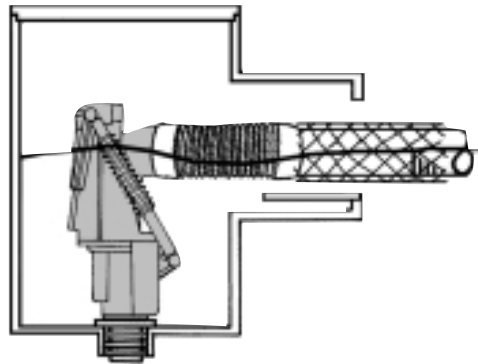
(1) 4 1/2" Connector



(1) Hose protector

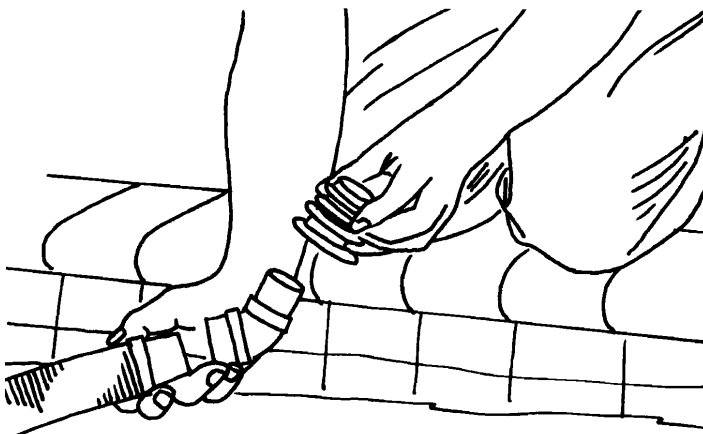


(1) Universal Valve Cuff



## FOR POOLS WITH WALL VACUUM FITTINGS

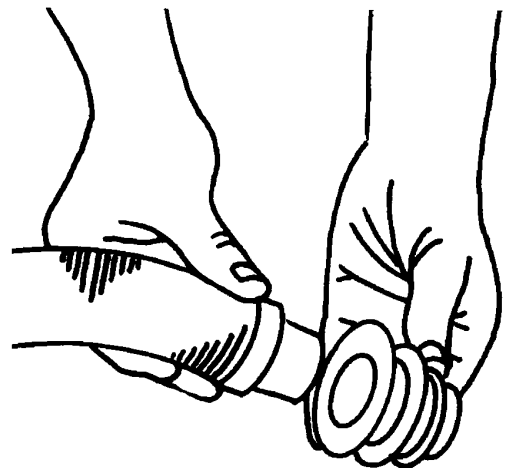
No FlowKeeper™ Valve required



Insert the male end of the hose into the large end of one 45° elbow. Then insert the small end of the 45° elbow into the universal valve cuff. The 45° elbow should be angled toward the surface.

## FOR POOLS WITH TWO SKIMMERS

No FlowKeeper™ Valve required



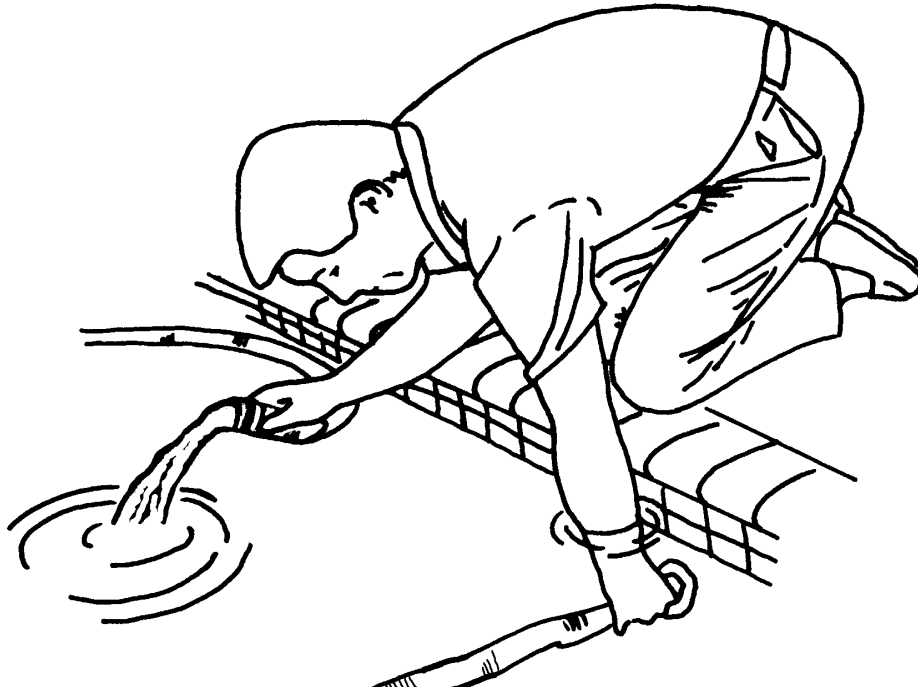
Insert the male end of the hose into the universal valve cuff.



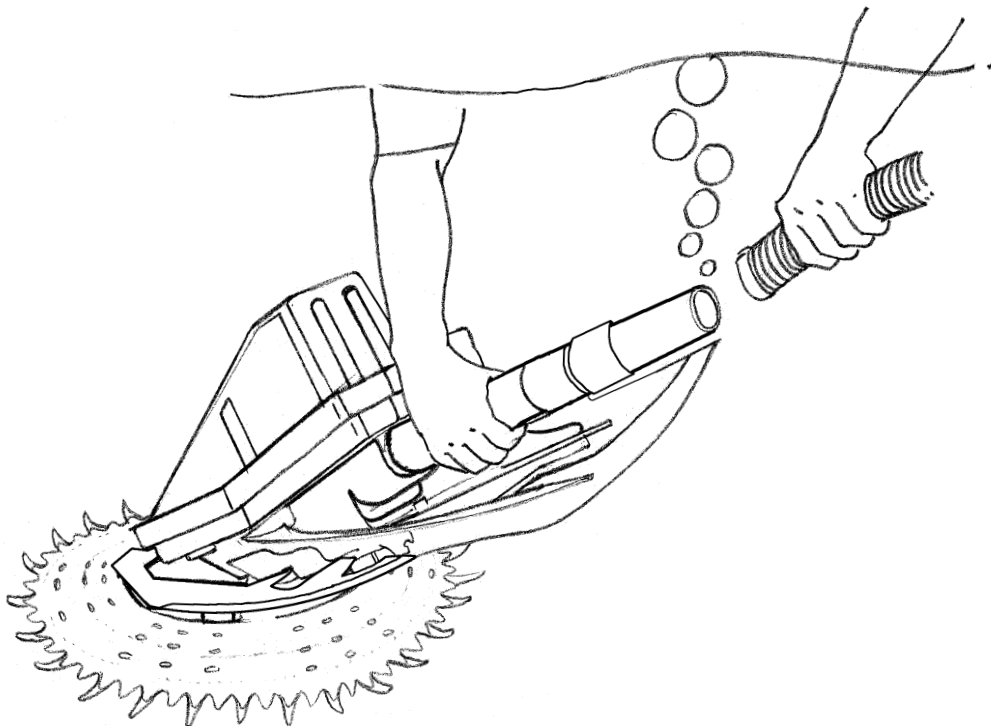
# INSTALLATION

## FOR ALL INSTALLATIONS

Turn on the filtration system. Fill the hose with water by placing the end over a return inlet.

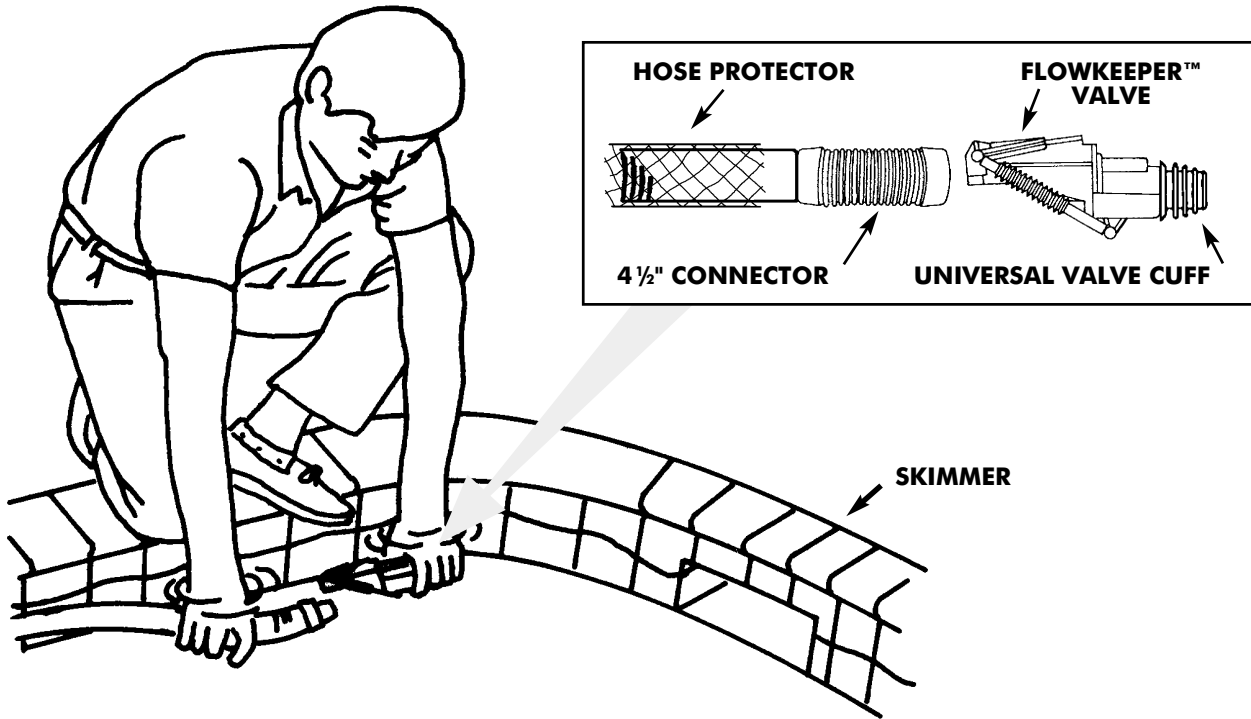


Submerge the Alpha 3™ pool cleaner head. When bubbles stop coming from the extension pipe, attach the cleaner head to the female end of the hose.



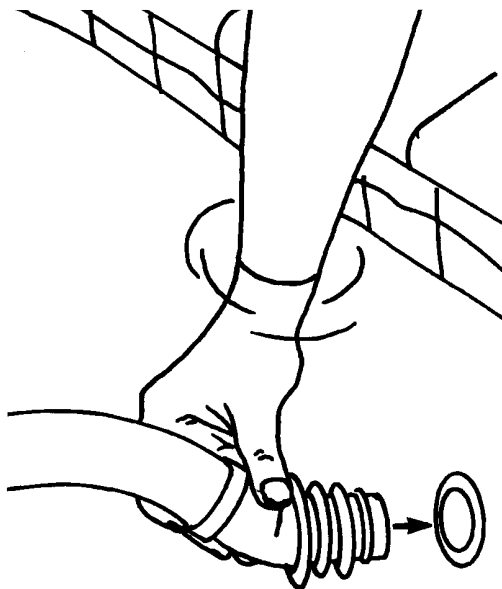
# INSTALLATION

## FOR POOLS WITH ONE SKIMMER



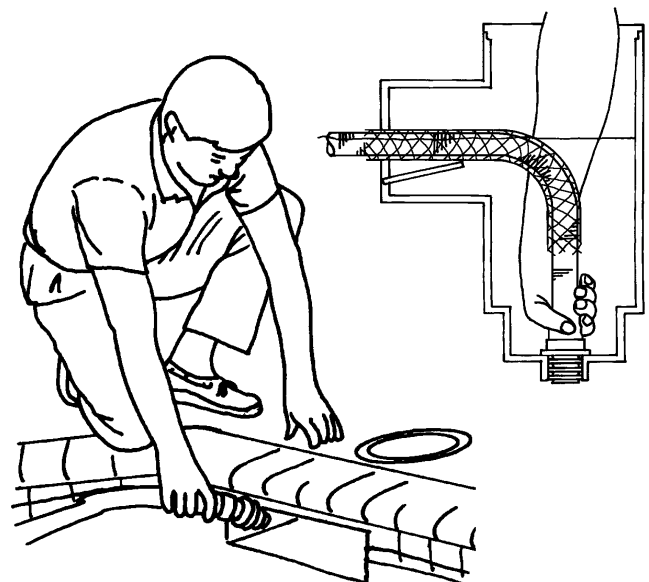
Remove the skimmer basket, attach the regulator valve combination to the hose and install into the skimmer. **Your installation is now complete.**

## FOR POOLS WITH WALL VACUUM FITTINGS



Insert the cuffed hose end into the wall vacuum fitting. The 45° elbow should be angled toward the surface.

## FOR POOLS WITH TWO SKIMMERS

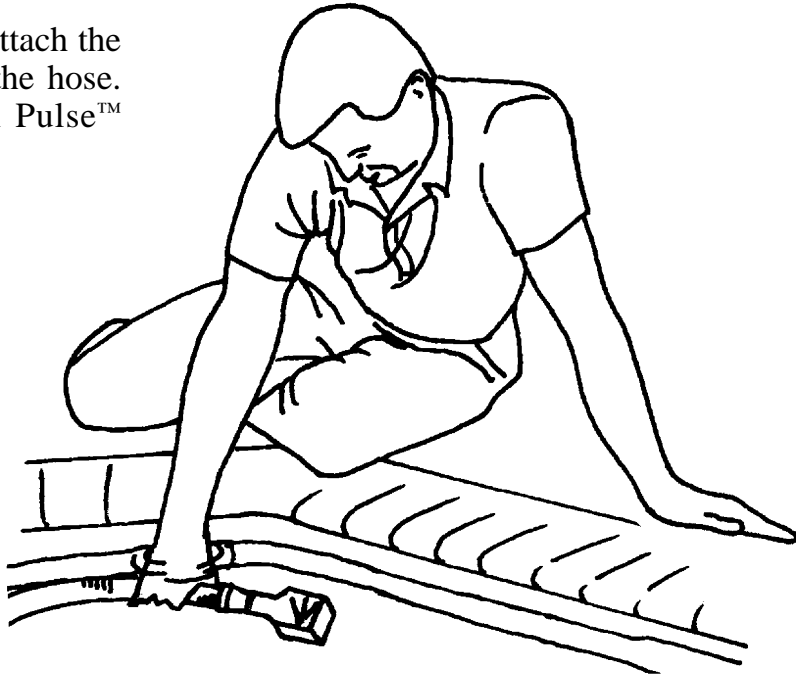


Remove the skimmer basket from the deep end skimmer. Attach the cuffed hose end to the suction port of the skimmer.

# FLOW ADJUSTMENT

## FOR POOLS WITH WALL VACUUM FITTINGS AND FOR POOLS WITH TWO SKIMMERS

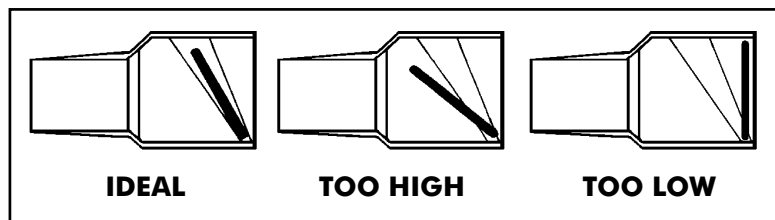
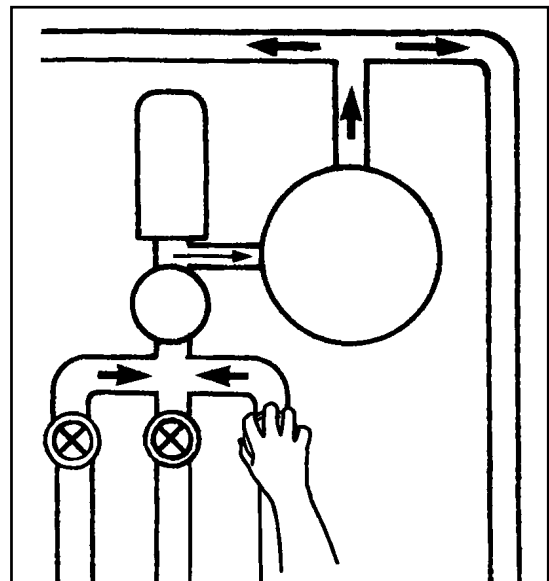
Remove the cleaner head. Attach the Pool Pulse™ to the end of the hose. You **MUST** keep the Pool Pulse™ and hose under water.



- For pools with a wall vacuum fitting, leave the wall vacuum fitting fully open and slowly close the skimmer valve until the blue indicator of the Pool Pulse™ falls into the ideal range (when viewed from the side).
- For pools with two skimmers, leave the selected skimmer open and slowly close the other skimmer until the blue indicator of the Pool Pulse™ falls into the ideal range (when viewed from the side).

Remove the Pool Pulse™. Submerge the cleaner head. When the bubbles stop coming from the extension pipe, attach the hose end.

**Your installation is now complete.**



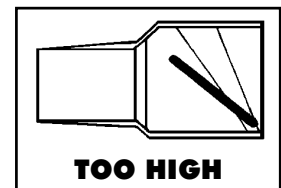
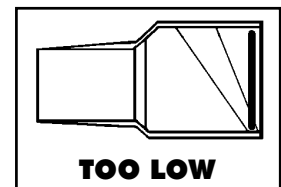
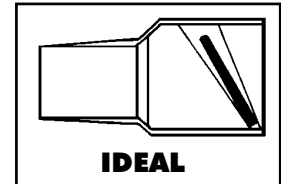
# POOL PULSE™

The Pool Pulse™ is a flow meter that measures the volume of water flowing through your Alpha 3™ cleaner. It must be used to properly set the flow on two skimmer or wall vacuum installations and can be used as a diagnostic tool to check the flow on any installation.

Always use the Pool Pulse™ with the proper hose length for your pool. Keep the end of the hose underwater, remove the cleaner head, submerge the Pool Pulse™ and attach it to the end of the hose. The blue indicator door should move into the clear wedge area indicating a flow in the *ideal* range.

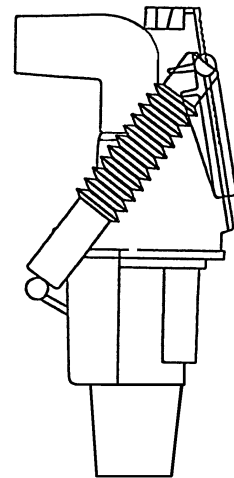
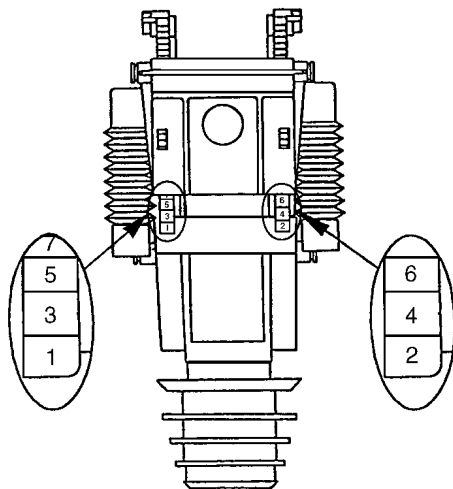
If the flow is *too low*, review the installation procedures (see page 11). A dirty pool filter, clogged baskets and improperly set valves are usually the main cause of low flow. Other types of hydraulic problems may require a professional pool repairman.

If the flow is *too high*, review the installation procedures. Confirm that the bypass on the FlowKeeper™ valve is opening. Slightly open the main drain if necessary.



# FLOWKEEPER™

## FOR POOLS WITH ONE SKIMMER

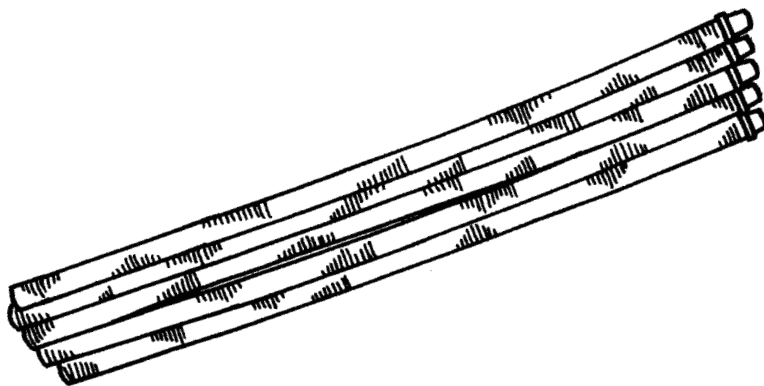


The FlowKeeper™ valve is designed to provide proper constant flow to the ALPHA 3™ cleaner head. Skimming action is maintained through a bypass throat in the valve. As the filter collects debris, the valve automatically maintains the correct flow to the cleaner. The FlowKeeper™ valve comes preset from the factory at a setting of 6. The last fully exposed number is the setting the valve is at. The lower the number, the lower the flow to the cleaner head. Should re-adjustment become necessary, either pull up on the slide plate to raise the setting or lift the top edge of the slide plate and “walk” the plate down to a lower setting.

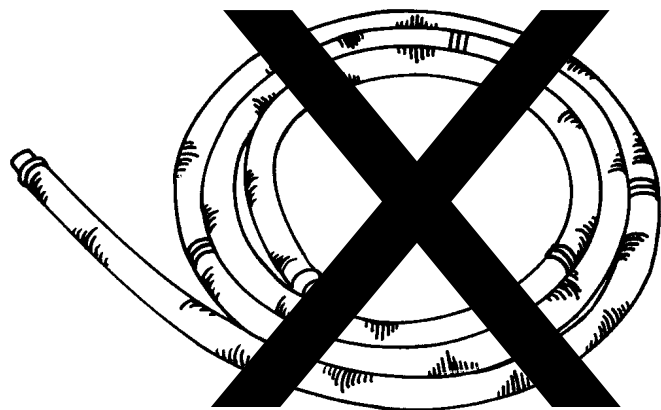
# CARE AND MAINTENANCE

However good an automatic pool cleaner is, remember that it was developed to assist you with the maintenance of your swimming pool. To maintain quality performance and increase the lifespan of your Baracuda Alpha 3™, please do the following:

- ❑ The skimmer basket, pump strainer basket and pool filter should be thoroughly cleaned on a regular basis to ensure optimum pool cleaner efficiency. Always disconnect the hose from the skimmer before backwashing.
- ❑ **NEVER COIL THE HOSE** when the cleaner is removed from the pool. Hose memory will influence coverage. A coiled hose can be straightened with hot water or by laying it in the sun on the pool deck for a few hours.



**CORRECT**



**INCORRECT**

- ❑ **REMOVE THE BARACUDA ALPHA 3 BEFORE SUPER CHLORINATING.** If you should develop an algae problem or a chemical imbalance problem, remove the Baracuda Alpha 3 and follow the advice of a qualified pool professional. Reinstall the cleaner when the imbalance is corrected or after a minimum of 4 hours from super chlorinating.
- ❑ Periodically inspect the cleaner for signs of wear. The disc and the footpad are the most critical. When the depth of the channels between the treads of the footpad are 1/8" or less, replace the footpad.

# CARE AND MAINTENANCE

## EASY ACCESS SYSTEM

Large foreign objects, such as children's toys, tree branches and rocks, should be removed manually from your pool prior to operating an automatic pool cleaner. In the event a blockage occurs, please follow these instructions:

To remove the diaphragm, loosen the outer extension pipe 2 turns (*fig. 1*). From the bottom of the cleaner, grip the tab of the diaphragm and pull it out (*fig. 2*). It will come out with the inner extension pipe attached and will make a loud noise (*fig. 3*). Pull the diaphragm off of the inner extension pipe and inspect it for damage (cuts or tears) or debris causing a blockage (*fig. 4*). Pull or rinse out the debris. Do not use tools that might damage the diaphragm. See your Baracuda dealer for a replacement if necessary.

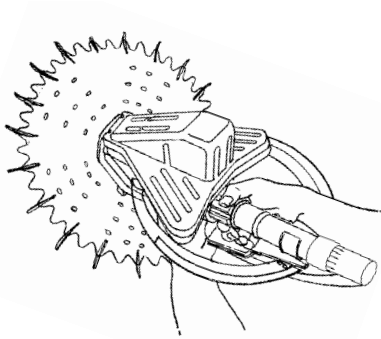


FIGURE 1

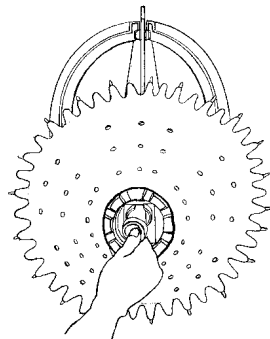


FIGURE 2

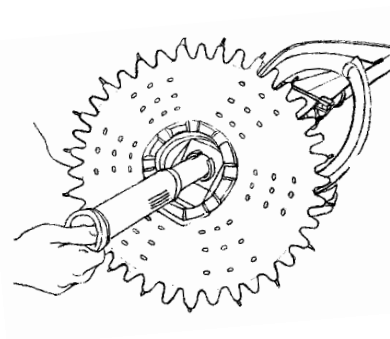


FIGURE 3

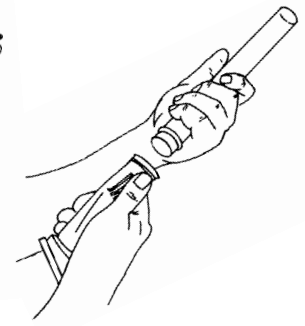


FIGURE 4

To reassemble, push the inner extension pipe into the diaphragm so that it seats up to the small lip on the inner extension pipe (*fig. 5*). Slide the inner extension pipe into the inner body (*fig. 6*), then pressing from the ridges, seat the diaphragm into place (*fig. 7*). The diaphragm should fit flush against the inlet plate (*fig. 8*). Tighten the outer extension pipe until snug. **Do not over tighten.**

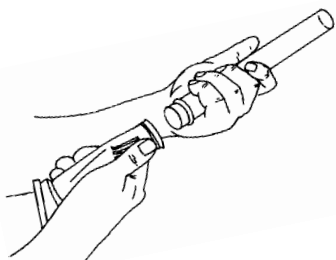


FIGURE 5

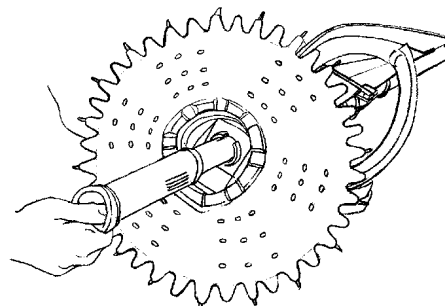


FIGURE 6

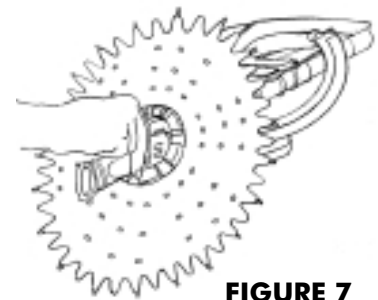


FIGURE 7

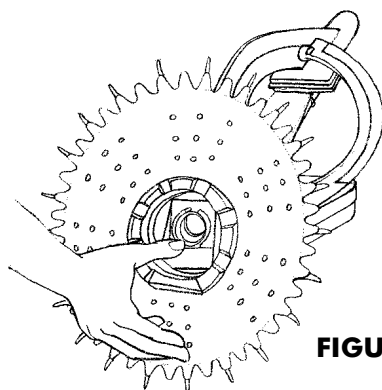


FIGURE 8

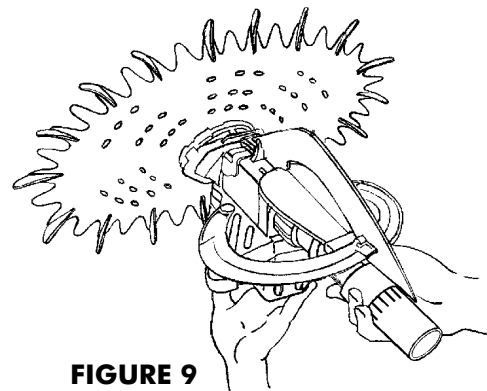


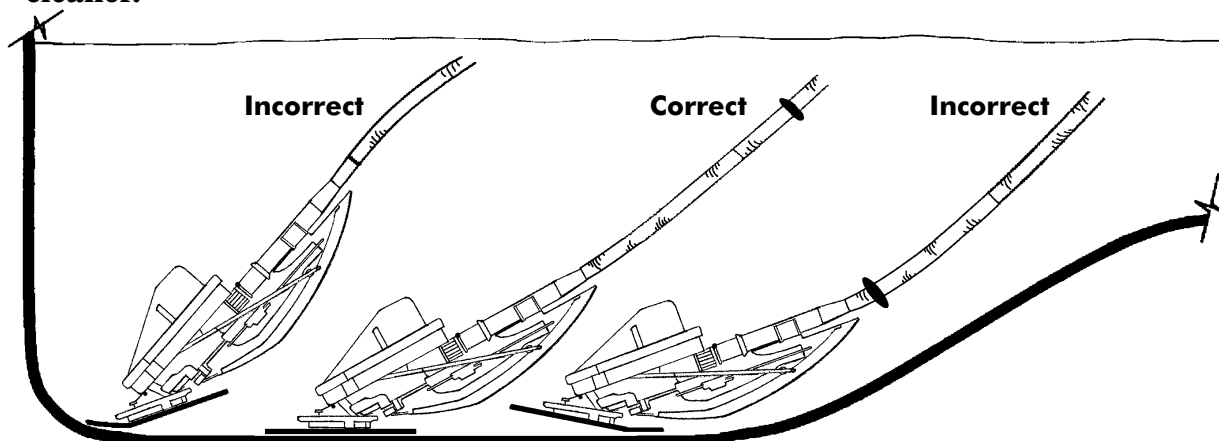
FIGURE 9

# ADJUSTMENTS

## BALANCE

Even with the proper flow, a hose weight (part number 43260) may be necessary to balance the Alpha 3 cleaner head. If the Alpha 3 will not balance correctly in the deep end of the pool, (as shown below), turn off the pump and add the hose weight approximately 4 to 7 feet, or 1 ½ to 2 hose sections away from the cleaner head.

If your pool is 8 feet deep or greater, you may need to purchase a heavier hose weight (part number 43317) from your Baracuda dealer. Position this weight 9 feet or 2 ½ hose sections away from the cleaner head. In unusual situations both weights may be required, with the heavier hose weight (43317) at 9 feet away from the cleaner head and the lighter weight (43260), 12 feet away from the cleaner head. **The primary reason for the hose weight is to maintain the hose at a 45° angle to the pool cleaner.**



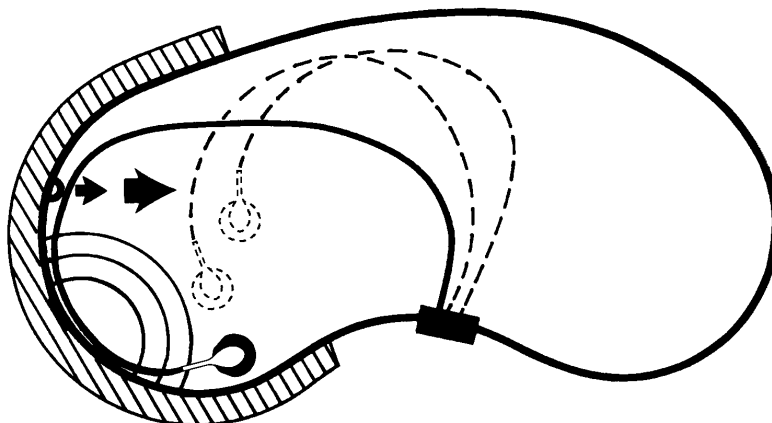
## COVERAGE

Normally it is undesirable for the return line water flow to affect the natural movement of the Alpha 3 hose. However, the following illustration shows how return line pressure can be used to balance cleaning coverage or to guide the cleaner away from step areas with “V” shaped corners.

A return line located anywhere along the shaded area can be utilized to gently push the hose allowing the Alpha 3 to free itself from in-pool obstacles.

## TECHNIQUE

Position the return line directional so that you can only detect water movement on the surface 8 feet out from the wall, and aim it at the center of the opposite wall.



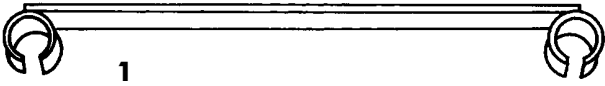
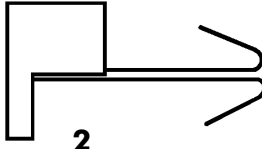

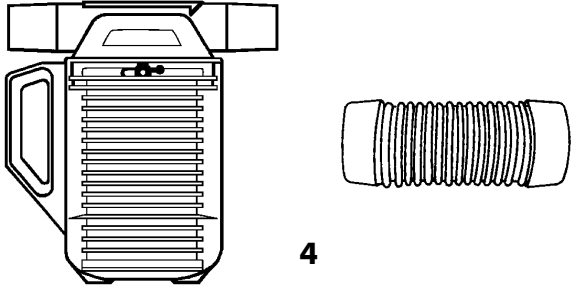



# TROUBLESHOOTING

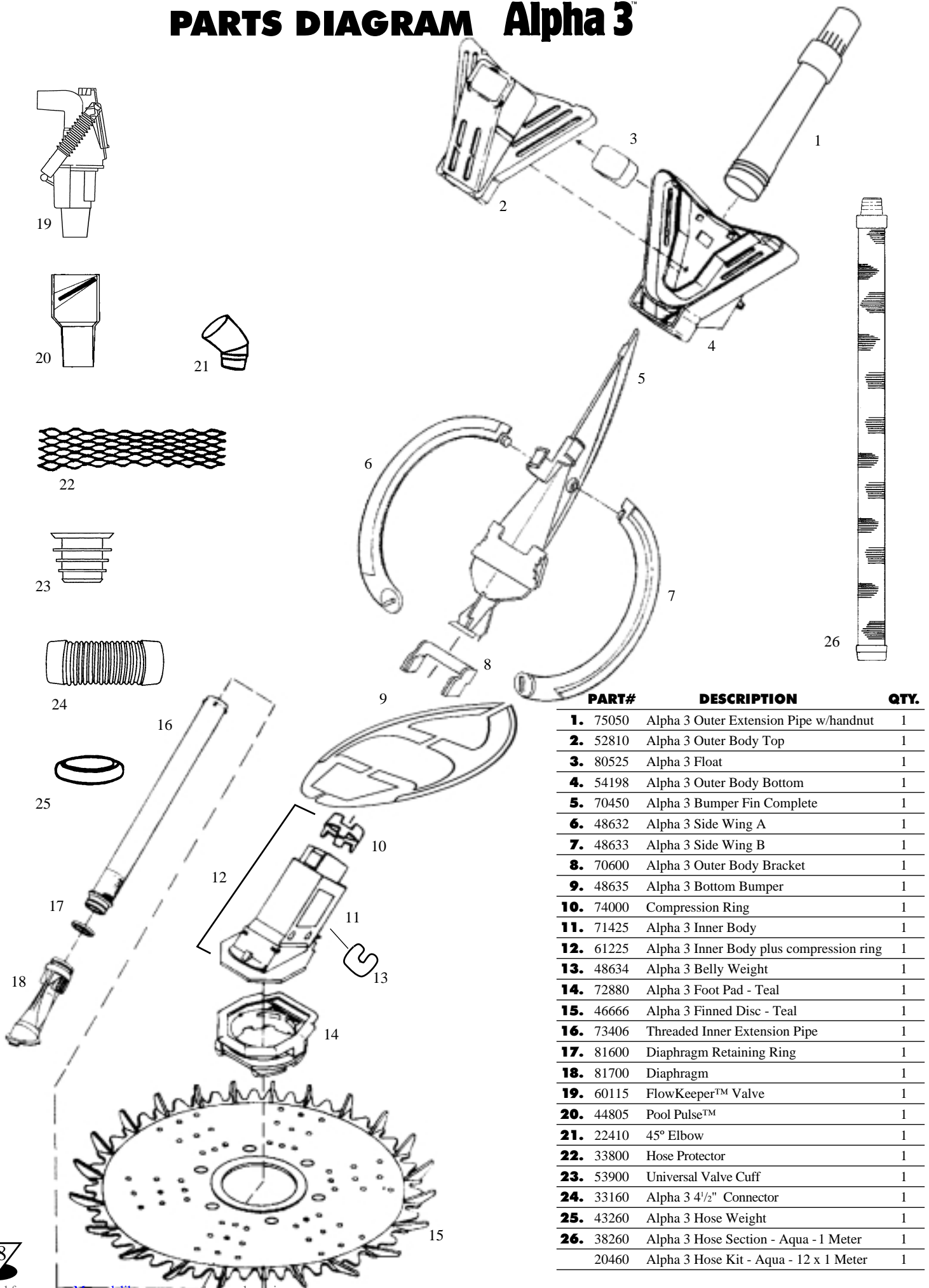
PROBLEM	SOLUTION
Alpha 3™ patterns or doesn't cover majority of pool.	Use Pool Pulse™ to confirm proper flow ( <i>see pg 12</i> ). Divert all return inlets ( <i>see pg 6</i> ). Confirm proper hose length ( <i>see pg 7</i> ). Check hose for memory ( <i>see pg 13</i> ). Add hose weight 4' to 7' from cleaner head ( <i>see pg 15</i> ). Use 45° elbow on wall vacuum installations ( <i>see pg 10</i> ).  Coverage will be limited with the use of a solar blanket. <b>Note:</b> In cold water 60° or less, water flow must be increased to compensate for reduced flexibility of hose and diaphragm ( <i>see pg 11</i> ).
Alpha 3 sticks at steps.	Utilize flow as shown in coverage section ( <i>see pg 15</i> ). Add hose weight 4' to 7' from cleaner head ( <i>see pg 15</i> ). Reduce flow to low side of "ideal" range ( <i>see pg 12</i> ). Shorten hose if necessary.
Alpha 3 won't move or moves slowly.	Use Pool Pulse™ to confirm proper flow ( <i>see pg 12</i> ). Backwash filter (sand or DE) or soak cartridge style filter overnight – consult your pool dealer. Empty all baskets. Tighten hose connections. Check hoses for leaks. Check diaphragm for damage or blockage ( <i>see pg 14</i> ).  <b>Note:</b> In cold water 60° or less, water flow must be increased to compensate for reduced flexibility of hose and diaphragm.
Alpha 3 won't move or moves slowly and air bubbles are noticeable at the return jets.	Use Pool Pulse™ to confirm proper flow ( <i>see pg 12</i> ). Check hoses for possible leak. Confirm proper water level in pool. Replace and lubricate pump lid "O" ring – see your pool dealer.
Alpha 3 won't climb walls.	Machine may not climb walls of some vinyl pools or pools with safety ledges. Confirm proper hose length ( <i>see pg 7</i> ). Use Pool Pulse™ and raise flow to high side of "ideal" range ( <i>see pg 12</i> ).
Alpha 3 stays on walls or edge of pool.	Use Pool Pulse™ to lower flow to low side of "ideal" range ( <i>see pg 12</i> ).
Alpha 3 sticks at ladder.	Install ladder guard ( <i>see pg 17</i> ).

**IF ASSISTANCE IS REQUIRED, CALL 1-888-786-7797**

# ACCESSORIES

PART ILLUSTRATION	PART NO.	DESCRIPTION
 <p>1</p>	<p>1. 24000</p>	<p><b>Ladder Guard</b> Always use on stainless steel in-pool ladders</p>
 <p>2</p>	<p>2. 24100</p>	<p><b>Return Line Diverter</b> Use when no other return inlet directional fittings exist. <i>(see page 6).</i></p>
 <p>3A                      3B</p>	<p>3A. 90153 (for 1½" return inlet)</p> <p>3B. 90155 (for 2" return inlet)</p>	<p><b>Retrofit Eyeball Return Line Diverter</b> Use to replace standard directional inlet eyeballs <i>(see page 6).</i></p>
 <p>4</p>	<p>4. 26705</p>	<p><b>The</b> <b>LEAF CATCHER™</b> <b>with 4 ½"</b> <b>Hose Connector</b> Use when heavy debris or leaf situations exist.</p>
	<p>5. 43317</p>	<p><b>Hose Weight</b> <b>70 gram - Aqua</b></p>

# PARTS DIAGRAM Alpha 3™



PART#	DESCRIPTION	QTY.
1.	75050 Alpha 3 Outer Extension Pipe w/handnut	1
2.	52810 Alpha 3 Outer Body Top	1
3.	80525 Alpha 3 Float	1
4.	54198 Alpha 3 Outer Body Bottom	1
5.	70450 Alpha 3 Bumper Fin Complete	1
6.	48632 Alpha 3 Side Wing A	1
7.	48633 Alpha 3 Side Wing B	1
8.	70600 Alpha 3 Outer Body Bracket	1
9.	48635 Alpha 3 Bottom Bumper	1
10.	74000 Compression Ring	1
11.	71425 Alpha 3 Inner Body	1
12.	61225 Alpha 3 Inner Body plus compression ring	1
13.	48634 Alpha 3 Belly Weight	1
14.	72880 Alpha 3 Foot Pad - Teal	1
15.	46666 Alpha 3 Finned Disc - Teal	1
16.	73406 Threaded Inner Extension Pipe	1
17.	81600 Diaphragm Retaining Ring	1
18.	81700 Diaphragm	1
19.	60115 FlowKeeper™ Valve	1
20.	44805 Pool Pulse™	1
21.	22410 45° Elbow	1
22.	33800 Hose Protector	1
23.	53900 Universal Valve Cuff	1
24.	33160 Alpha 3 4 1/2" Connector	1
25.	43260 Alpha 3 Hose Weight	1
26.	38260 Alpha 3 Hose Section - Aqua - 1 Meter	1
	20460 Alpha 3 Hose Kit - Aqua - 12 x 1 Meter	1



**ZODIAC POOL CARE, INC.**

2028 NW 25th Avenue  
Pompano Beach, Florida 33069  
1-888-786-7797

**<http://www.baracuda.com>**