



SEARS CANADA

Factory Parts Catalog

Product No.	C970-441231
	37605376F10S1
Series	30" slide-in
Color	stainless
Market	Canada
Wiring Diagram	318550168
Owner's Guide	318205824
Installation Instructions	318201622
Service Data Sheet	318205900

Frigidaire

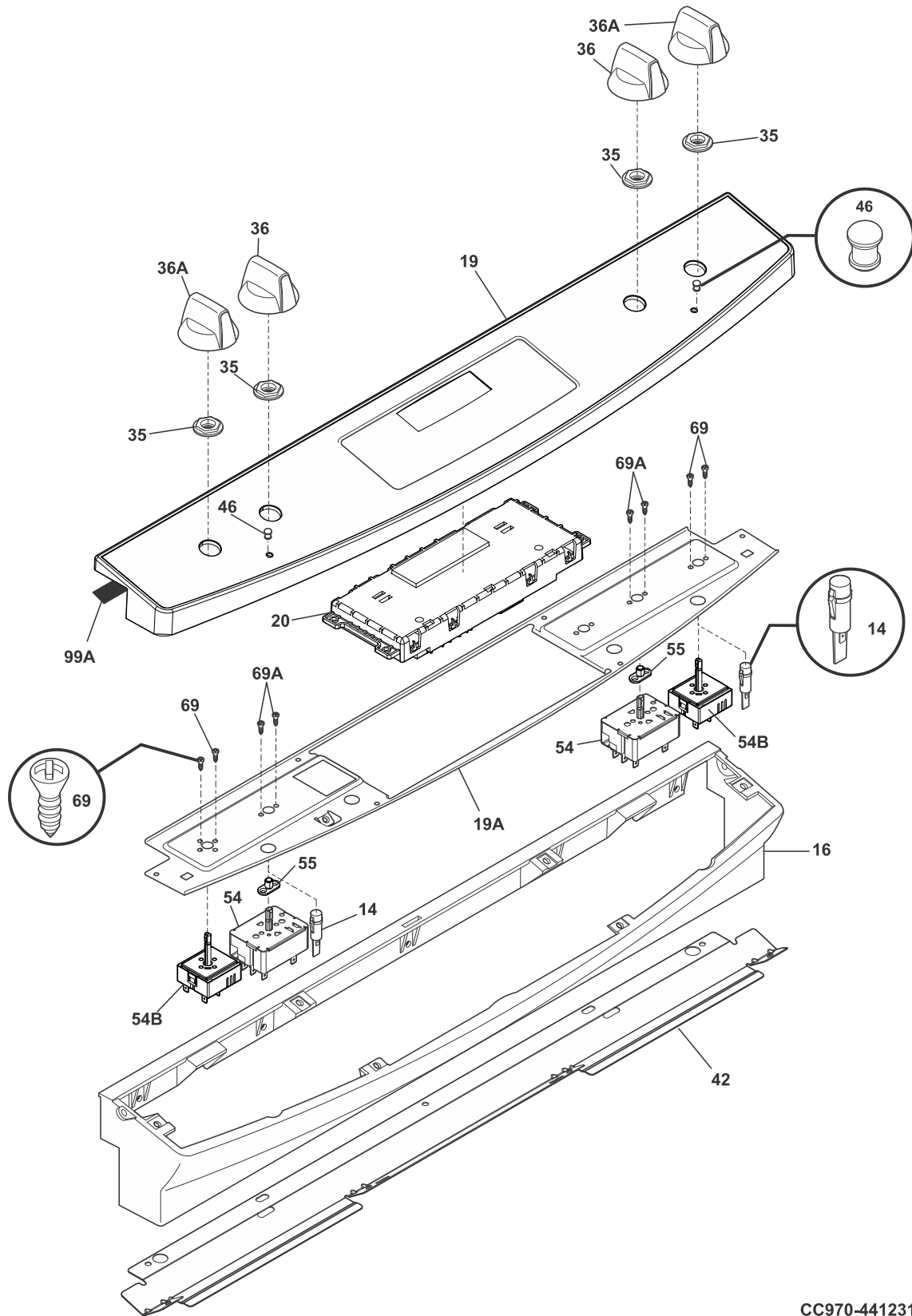
5855 TERRY FOX WAY
MISSISSAUGA, ONTARIO, CANADA L5V 3E4

Publication No.
5995594172
11/05/23
(EN/SERVICE/ECL)
377

30-INCH SLIDE-IN ELECTRIC RANGE

Model No.
C970-4412

BACKGUARD

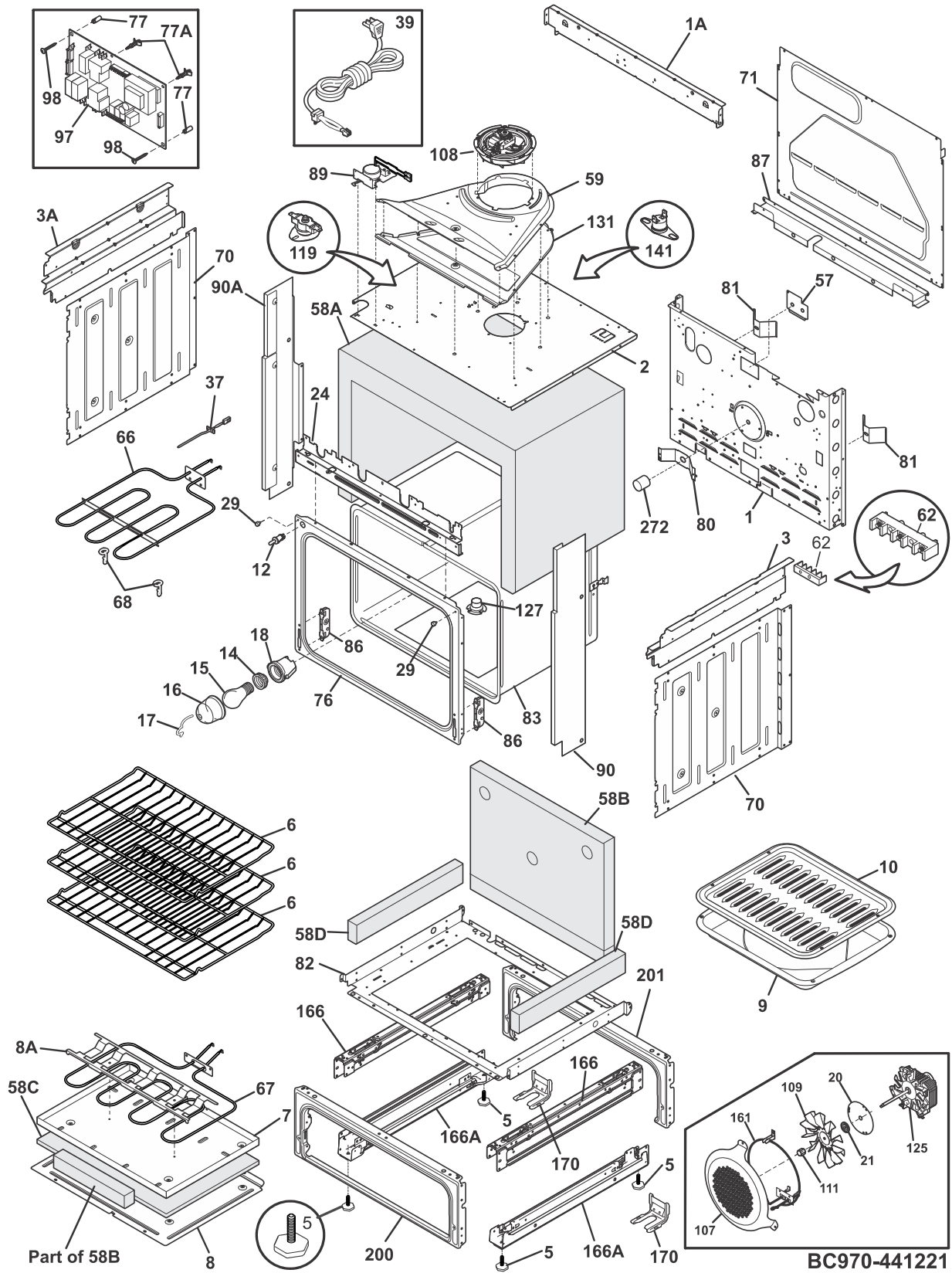


CC970-441231

BACKGUARD

POS. NO	PART NO.	DESCRIPTION
14 #	318293901	Light, indicator, 125v, (2)
16	318296602	Console, assy., black
19	318312307	Control Panel Assembly, w/membrane, black/stainless, w/overlay
19A	318289715	Panel, control mtg.
20 #	316462897	Clock/Timer, electronic, ES505
* #	318224890	Harness, wiring, timer
20*	5304453707	Screw, 8-18 X 1/2
35	318183105	Support, glass, black, (4)
36	318921149	Knob, control, stainless, single
36A	318921150	Knob, control, stainless, dual
42	318574701	Support, control panel, black
*	5303211311	Screw, 8-18 x 0.500
*	5304436875	Screw, 8-18 X 1/2, black, (3)
46	318228301	Lens, indicator light
54 #	318293830	Switch, infinite, (2)
54B#	318191023	Switch, infinite, dual
55	318402901	Bushing, switch
69	5303323134	Screw, 8-32 x 3/16, (8)
69A	5304480396	Screw, 8-32 x 3/8", (4)
97 #	316418101	Board, cooktop lockout
99A	318313231	Gasket, black
* #	318228897	Harness, wiring, main, backguard
*	318205824	Owners Manual
*	318205900	Service Data Sheet
*	318550168	Wiring Diagram
*	318201622	Instructions, installation
*	5303300265	Screw, 8-18 X 1/2, (4)
*	5303323136	Screw ground

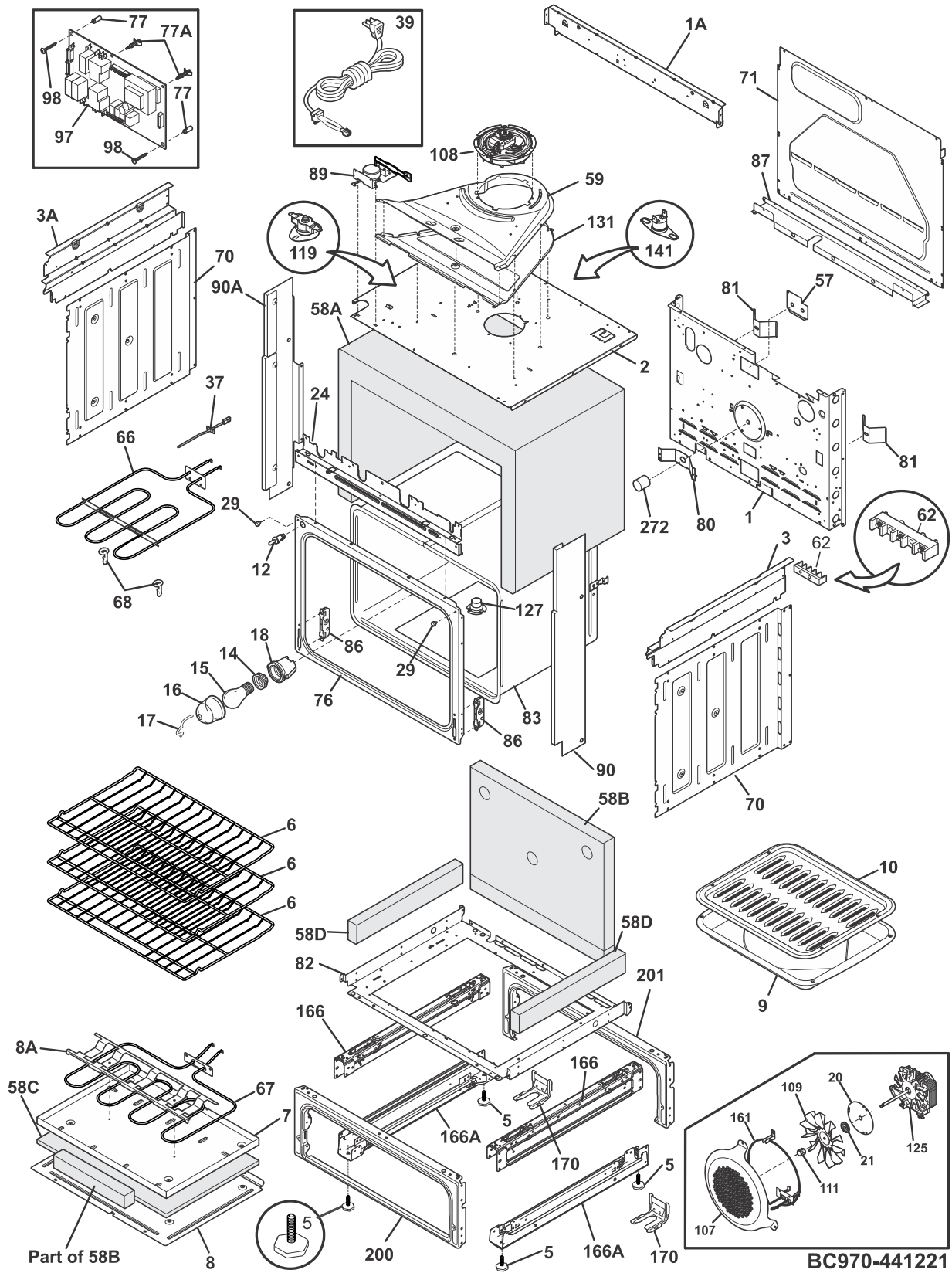
BODY



BODY

POS. NO	PART NO.	DESCRIPTION
1	318259220	Back, main
*	5303324184	Screw, 8-18 x 5/16, black
1A	318225120	Panel, main back, upper
2	318570500	Panel, insulation, top
3	318225230	Panel, bodyside, upper RH
3A	318225231	Panel, bodyside, upper LH
*	318531701	Spacer, (2)
5	318175503	Screw, leveling
6	318922301	Rack, oven
7	318297303	Box, bake element
8	318359500	Panel, service
8A	318313601	Bracket, bake element
9	316081900	Pan, broiler OPTIONAL ACCESSORY
10	316082000	Insert, broiler pan OPTIONAL ACCESSORY
12	316445501	Switch, oven light, door frame
14	318224000	Receptacle, oven light
15	316538901	Lamp, oven light
16	318406100	Lens, oven light, glass
17	5304400195	Retainer, light cover
18	318222400	Housing, oven light
18*	318368501	Seal, housing, flat washer
20	318389400	Plate, retainer
21	318389000	Seal, ring
24	318913116	Trim, vent, black, upper
29	316517600	Spacer, oven door
37 #	318562500	Sensor, oven temp probe
39 #	318113111	Cord, electric
57	318402800	Plate, cover
58A	318386113	Insulation, oven wrapper
58B	318285079	Insulation, oven back
58C	318294912	Insulation, bake element
58D	318372001	Insulation, 20.5 x 2.375, 1" thick, (2)
59	318570600	Duct, cooling fan
59*	318579001	Bracket, wire
62	5303935061	Terminal Block Kit
62*	5303323136	Screw ground
62*	5303323139	Screw, 10-24 x 0.906
62*	5303323144	Nut, 10-32
66 #	318255801	Element, broil, 3400W
67 #	318254916	Element, bake, 2500W, 8 pass
68	5304403015	Support, hanger, broil element
70	318259105	Shield, insulation, sides, (2)
71	318260007	Panel, rear box
76	318056292	Front, oven
77	318293702	Spacer, control
77A	316114100	Spacer
80	5303320846	Plate, oven mtg
81	318192400	Spring, oven
*	5303323129	Screw, 8 X 0.750
82	318258770	Shield, insulation, lower
83	318261470	Liner, oven assy

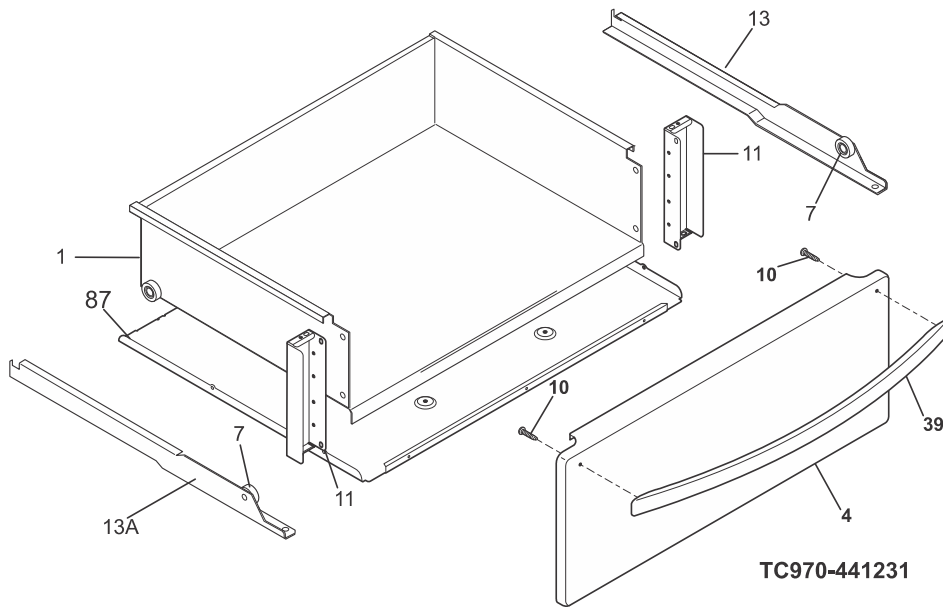
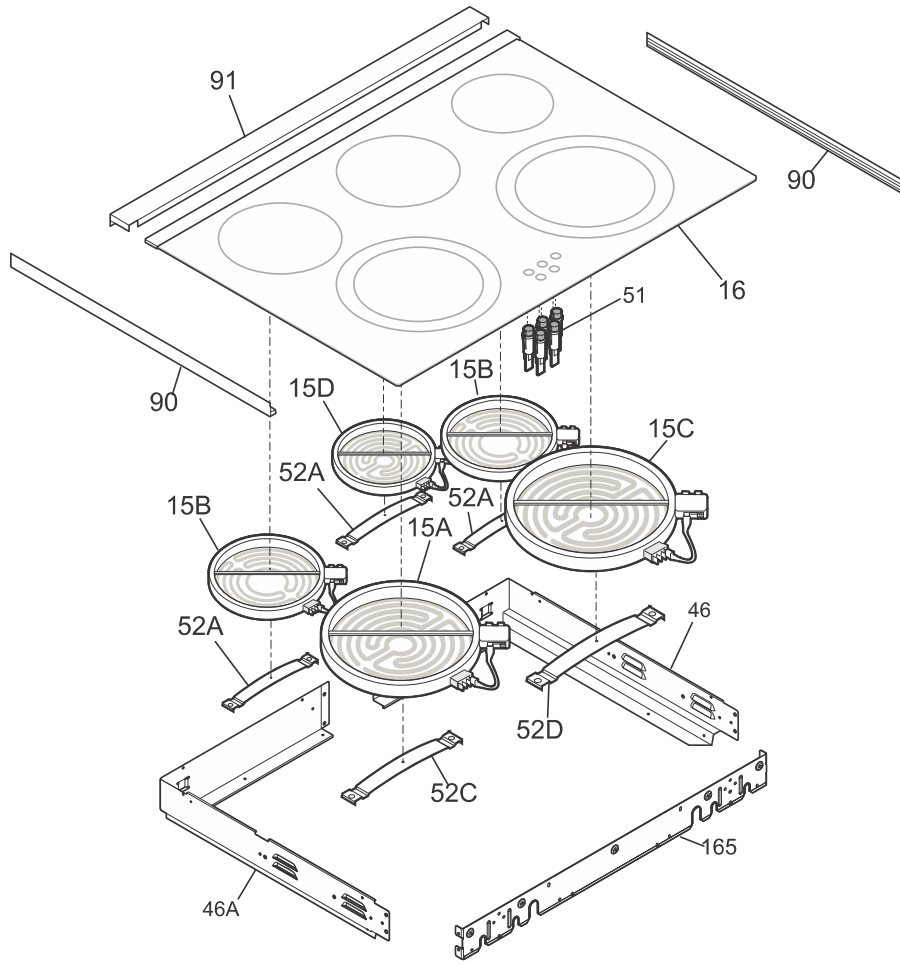
BODY



BODY

POS. NO	PART NO.	DESCRIPTION
86	318561100	Receptacle, hinge, (2)
86*	5304461333	Screw, 10-32 x 17/32
87	318260625	Bracket, cable mtg.
89 #	318261221	Motor, latch assy
90	318296904	Panel, filler, black, RH
90A	318296905	Panel, filler, black, LH
97 #	316418101	Board, cooktop lockout
98	5303297477	Screw, 6-20 x 1 1/4
107	318219405	Cover, fan
108#	318575603	Motor, cooling fan
109	318398302	Fan Blade
111	316136600	Nut, fan retainer
119#	318578506	Thermostat, cooling fan, 105 deg.
125#	318398201	Motor, fan
127	318317105	Adapter Assembly, vent tube, w/converter
131	318574800	Bottom, cooling duct
141#	318005229	Switch, thermal cutout
161#	318255511	Element, convection, 2500 W
166	318298410	Bracket, base support, (2)
166A	318298405	Bracket, base support, lower, (2)
170	318335500	Anti-tip & accessories
200	318335600	Frame & Wheel Assembly, black
201	318298230	Frame, drawer, black
272	318249409	Tube, protector
* #	318582629	Harness, wiring, main
*	5304400192	Retainer, wiring
*	318165800	Spacer
*	3051050	Screw, shoulder
*	08002868	Screw, 10-24 x 0.500, probe, thrm brkt, shield, drwr, box
*	5303211311	Screw, 8-18 x 0.500
*	5303323277	Screw, 8-18 X 13/32
*	5304415832	Screw, 8-18 x 0.406
*	5304436875	Screw, 8-18 X 1/2, black, (3)
*	5304440988	Screw, 10-16 x 3/4
*	5304454881	Screw, #8-18 x 3/8, (10)

TOP/DRAWER

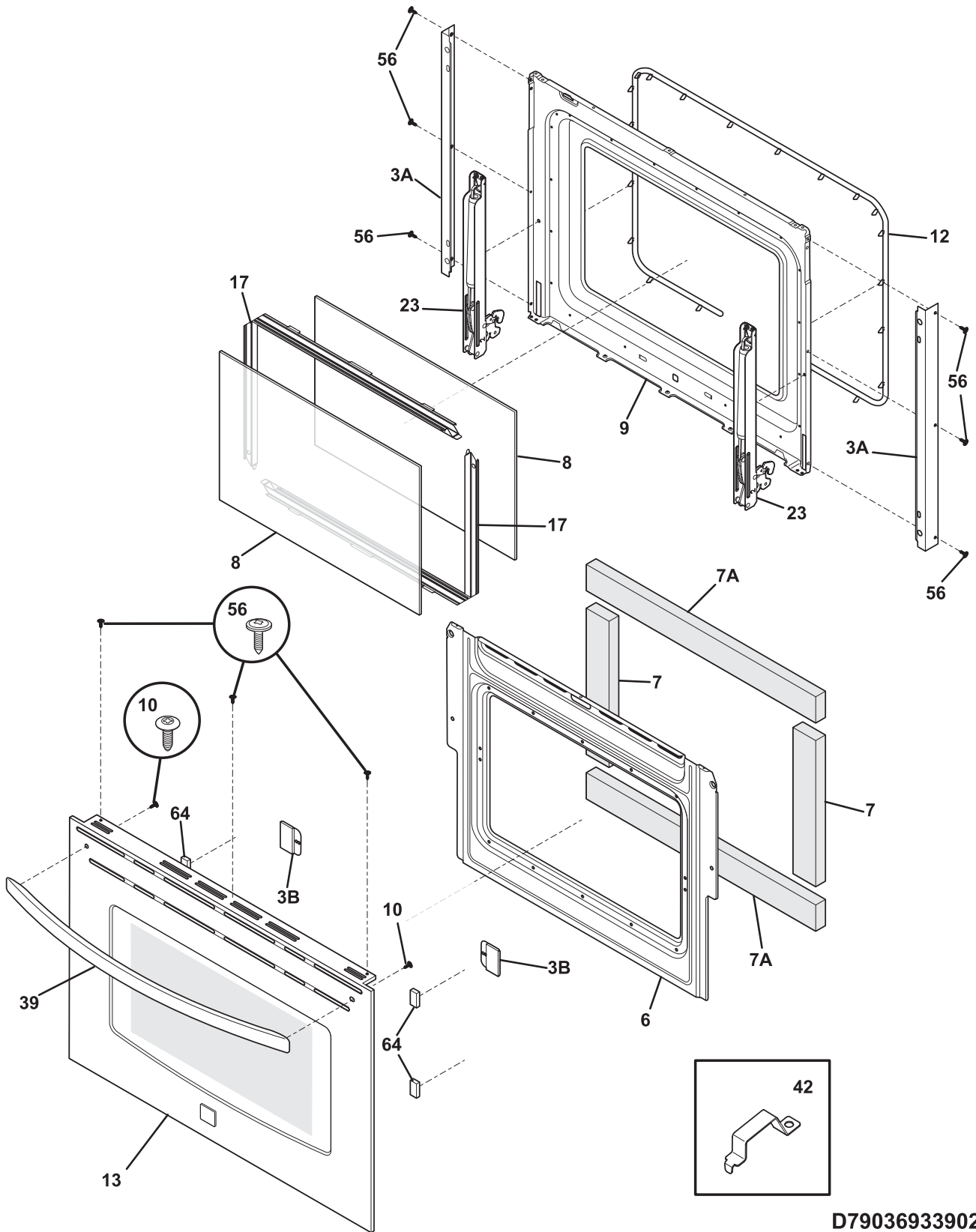


TC970-441231

TOP/DRAWER

POS. NO	PART NO.	DESCRIPTION
1	318107105	Drawer
4	318298824	Panel, drawer, stainless, front
7	318332200	Roller, nylon
10	5303308458	Screw, 10-24, (2)
*	3201909	Washer, flat, lower
11	318298600	Bracket, drawer support, (2)
13	318018100	Channel, drawer, RH
13A	318018101	Channel, drawer, LH
15A#	316465002	Element, surface, 6"/9", 1400/3000W, radiant
15B#	318198830	Element, surface, 6", 1200W, (2), radiant
15C#	318198935	Element, surface, 9"/12", 1200W/1800W, dual radiant
15D#	318198832	Element, surface, warmer, 100 W
16	318590600	Main Top, assembly, black
39	316553302	Handle, stainless
46	318568200	Box, burner, RH
46A	318568201	Box, burner, LH
51 #	318044830	Light, indicator, natural, (5)
52A	318122006	Spring, element mtg, small
52C	318122010	Spring, element mtg, 3000W
52D	318122011	Spring, element mtg, 1200W/1800W
87	318300102	Panel, warmer drawer, lower
90	318368001	Channel, glass protector, (2)
91	318304303	Trim, filler, black, rear
165	318227520	Plate, mounting
* #	318228980	Harness, wiring, cooktop
* #	318532147	Ground wire, w/terminal
*	316112100	Cleaner, glass
*	5303211311	Screw, 8-18 x 0.500
*	5303300265	Screw, 8-18 X 1/2, (4)

DOOR

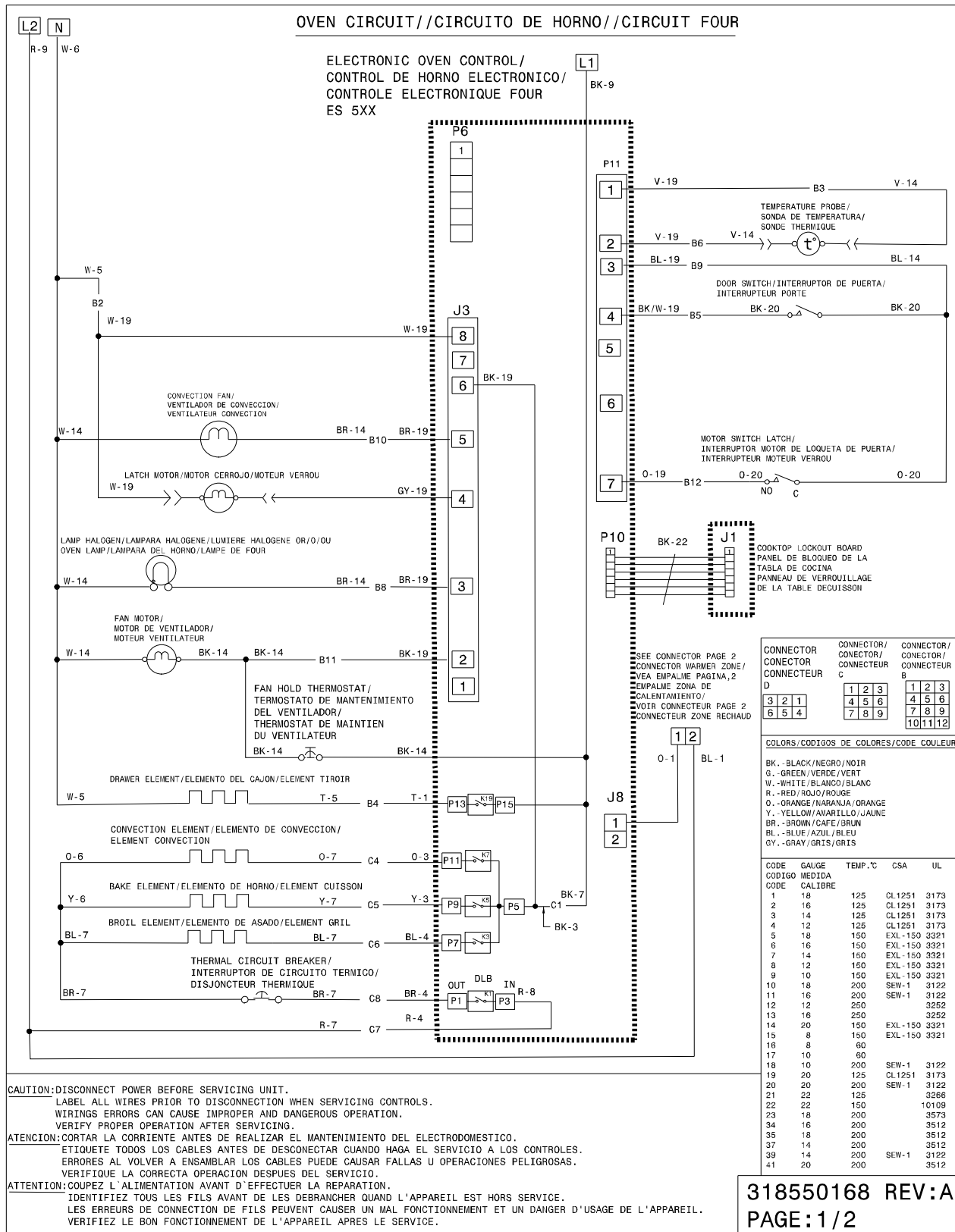


D79036933902

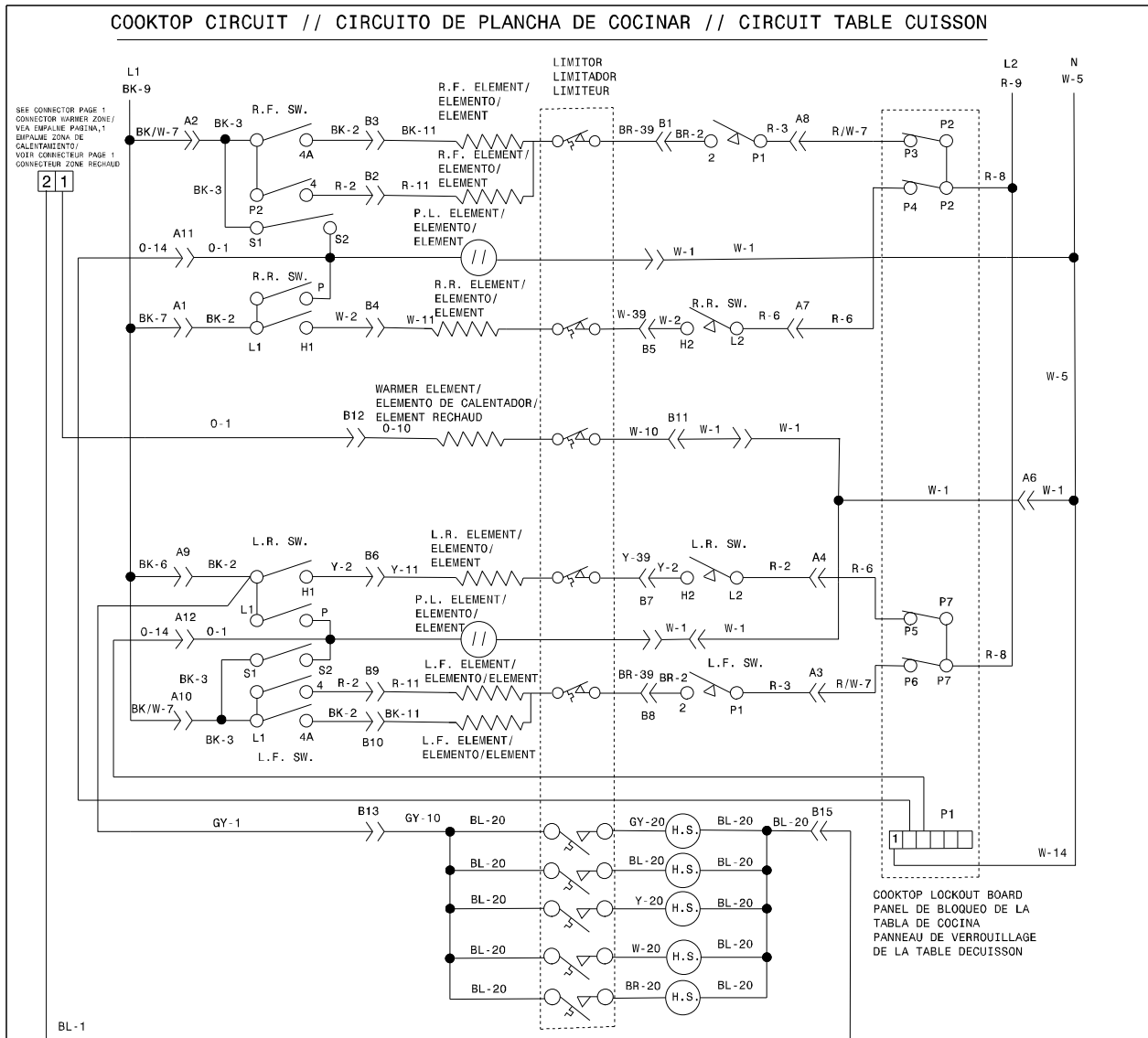
DOOR

POS. NO	PART NO.	DESCRIPTION
3A	318260401	Trim, oven door, side, (2)
3B	318262104	Cover, rear door, black, (2)
*	5303300265	Screw, 8-18 X 1/2, (4)
6	318260527	Baffle, door, lower
7	318372000	Insulation, 13.25 X 2.375, 1" thick, (2)
7A	318372002	Insulation, 24 x 2.375, 1" thick, (2)
8	316117502	Glass, oven door, heat barrier
9	318411646	Liner, oven door
10	5303308458	Screw, 10-24, (2)
12	318053132	Gasket, oven door seal
13	318919112	Door Assembly, outer, stainless/black, w/namplate
17	318264712	Spacer, glass, (2)
23	318567101	Hinge, oven door, (2)
*	5304415832	Screw, 8-18 x 0.406
39	316553302	Handle, stainless
42	318382301	Bracket, glass retainer, (4)
56	5304436875	Screw, 8-18 X 1/2, black, (3)
56A	5304476599	Screw, 8-18 x 3/8
64	318165800	Spacer
*	316221002	Label, anti-tip

WIRING DIAGRAM

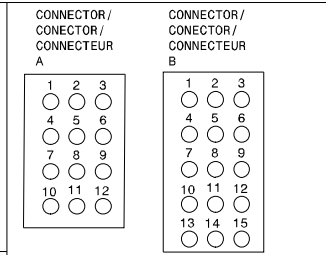
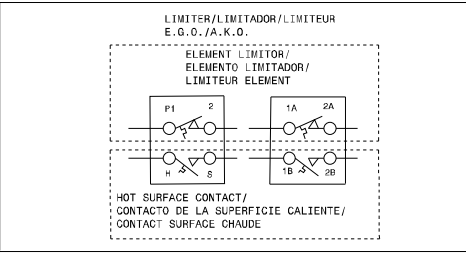


WIRING DIAGRAM



LEGEND/LEYENDA/LEGENDE

SW. - SWITCH/INTERRUPTOR/INTERRUPTEUR
 P.L. - PILOT LIGHT/LAMPARA PILOTO//LAMPE TEMOIN
 R.F. - RIGHT FRONT/FRENTE DERECHO/AVANT DROIT
 R.R. - RIGHT REAR/TRASERO DERECHO/ARRIERE DROIT
 L.F. - LEFT FRONT/FRENTE IZQUIERDO/AVANT GAUCHE
 L.R. - LEFT REAR/TRASERO IZQUIERDO/ARRIERE GAUCHE
 H.S. - HOT SURFACE/SUPERFICIE CALIENTE/SURFACE CHAUDE



CAUTION: DISCONNECT POWER BEFORE SERVICING UNIT.
 LABEL ALL WIRES PRIOR TO DISCONNECTION WHEN SERVICING CONTROLS.
 WIRINGS ERRORS CAN CAUSE IMPROPER AND DANGEROUS OPERATION.
 VERIFY PROPER OPERATION AFTER SERVICING.

ATENCION: CORTAR LA CORRIENTE ANTES DE REALIZAR EL MANTENIMIENTO DEL ELECTRODOMESTICO.
 ETIQUETE TODOS LOS CABLES ANTES DE DESCONECTAR CUANDO HAGA EL SERVICIO A LOS CONTROLES.
 ERRORES AL VOLVER A ENSAMBLAR LOS CABLES PUEDE CAUSAR FALLAS U OPERACIONES PELIGROSAS.
 VERIFIQUE LA CORRECTA OPERACION DESPUES DEL SERVICIO.

ATTENTION: COUPEZ L'ALIMENTATION AVANT D'EFFETUER LA REPARATION.
 IDENTIFIEZ TOUS LES FILS AVANT DE LES DEBRANCHER QUAND L'APPAREIL EST HORS SERVICE.
 LES ERREURS DE CONNECTION DE FILS PEUVENT CAUSER UN MAL FONCTIONNEMENT ET UN DANGER D'USAGE DE L'APPAREIL.
 VERIFIEZ LE BON FONCTIONNEMENT DE L'APPAREIL APRES LE SERVICE.

318550168 REV:A
PAGE: 2/2